

Precise and Powerful Binding Agent Spreading

BINDING AGENT SPREADERS - TC / MC SERIES

SW 112 TC | SW 218 TC |

SW 318 MC | SW 418 MC | SW 422 MC



US RELEASE

PRECISE, HIGH-PERFORMANCE BINDING AGENT SPREADING

STREUMASTER binding agent spreaders are suitable both for spreading large quantities of binding agents during soil stabilization and for spreading small quantities of binding agents with maximum precision during cold recycling.

There are various different types and series of binding agent spreaders. Essentially, these can be subdivided according to type into the categories truck-mounted spreaders (M - Mounted) and towed spreaders (T - Towed). In addition to the vehicle type, these types also differ in the form of their spreading units: STREUMASTER primarily offers spreaders with cellular wheel spreading units (C - Cellular wheel).

The TC series binding agent spreaders are available as single-axle and tandem trailers and can be towed by towing vehicles with an engine output of either approx. 132 kW / 178 HP / 180 PS for single-axle or approx. 184 kW / 247 HP / 250 PS for tandem trailers.

The MC series mobile binding agent spreaders are mounted on a carrier vehicle and are therefore predestined for use in difficult off-road terrain.

With a maximum spreading width of 7 ft 9 in (2,360 mm) the TC and MC series achieve spreading rates of up to 111 lbs/yd² (60 kg/m²) (at a speed of 1.25 mph (2 km/h) with a binder density of 62.5 lbs/cft (1 kg/l)).

In combination with products from the WIRTGEN GROUP, STREUMASTER binding agent spreaders cover the complete cycle in road construction and earthworks.



STREUMASTER BINDING AGENT SPREADERS



BINDING AGENT SPREADERS - FC / RC SERIES

- > Tractor-mounted spreader
- > Cellular wheel sluice
- > Working width up to 8 ft 1 in (2,460 mm)

BINDING AGENT SPREADERS - TA SERIES

- > Towed Spreader
- > Spreading auger
- > Working width up to 8 ft 2 in (2,500 mm)

BINDING AGENT SPREADERS - TC SERIES

- > Towed Spreader
- > Cellular wheel sluice
- > Working width up to 7 ft 9 in (2,360 mm)

BINDING AGENT SPREADERS - MC SERIES

- > Truck-mounted spreader
- > Cellular wheel sluice
- > Working width up to 7 ft 9 in (2,360 mm)

SUMMARY OF HIGHLIGHTS

Perfectly equipped

01 Ideal Filling and Container Geometries

- > Different sized containers for different requirements
- > High-speed filling device on both sides for rapid filling of the binder container
- > Specially designed container geometry ensures perfect material flow and complete emptying of the container without any issues
- > Can be mounted on a variety of truck types (MC series only)
- > Trailer hitches can be mounted on the spreader (MC series only)

02 High-Efficiency Material Conveying

- > Uniform, efficient lateral distribution and transfer of the binding agent to the cellular wheel sluice, also when using partial spreading widths
- > Optimum monitoring of filling chutes
- > Reliable binding agent feed
- > Self-tensioning chain conveyor eliminates the need for retensioning



03 Maximum Spreading Precision

- > Spreading unit in three partial spreading widths with self-cleaning cellular wheel sluices
- > Separately controllable partial spreading widths with individual spread rate control
- > Fully automatic binding agent metering independent of the travel speed
- > Universal, low-volume, or high-performance spreading units available
- > WeighTronic electronic weighing device with automatic readjustment
- > Intelligent speed detection for travel speed independent control of spread rates

04 Flexible Drive System

- > Wide range of possible drive system options
- > TC Series:
 - Standard drive via the tractor's Power Beyond hydraulic system for lower cost-purchase and maintenance
 - Optional wide-angle cardan shaft drive for an independent spreader-side hydraulic oil circulation system
 - Optional auxiliary engine for autonomous drive capability
- > MC Series:
 - On-board hydraulic system powered by the carrier vehicle's power take-off ensures that the binding agent spreader operates reliably and spreads more cost-effectively
 - Optional auxiliary engine for autonomous drive capability



05 Innovative and Multi-Functional Operating Concept

- > Control panel with intuitive user interface for easy operating
- > Convenient, continuous spread rate regulation
- > Integrated container fill-level monitoring

06 High-Precision WPT - WIRTGEN PERFORMANCE TRACKER

- > Automatic determination of spreading performance for precise project accounting and analysis of savings potentials





IDEAL FILLING AND CONTAINER GEOMETRIES

Different container capacities for different requirements

MC series binding agent spreaders are available with 636 ft³ (18 m³) and 777 ft³ (22 m³) capacity containers. The TC Series offers container capacities of 424 ft³ (12 m³) or 636 ft³ (18 m³). Regardless of whether a truck mounted (M) or a towed variant (T) is chosen, both spreader types fulfill the highest expectations in terms of performance.

High-speed filling system on both sides

The binding agent spreaders are factory-fitted with two generously dimensioned filling connectors. These are positioned at the rear of the spreader and allow vehicles to approach and fill the container from either side.

The factory-fitted high-speed filling system assures fast and even distribution of the binding agent in the container. The filling connectors have a standard diameter of 4", which enables a material flow of up to 2.2 US t/min (2 t/min) per connector.

Intelligently designed container geometry

The intelligently designed container geometry ensures that the binding agent is ideally distributed during filling - which guarantees a low center of gravity.

The optimized design of the container prevents the cumulation of material and allows the container to be completely emptied without any problems.





- 01** High-speed filling system for maximum filling performance.
- 02** The new container geometry improves both material flow and the machine's center of gravity.
- 03** The six self-cleaning filters are designed for quick and easy maintenance.

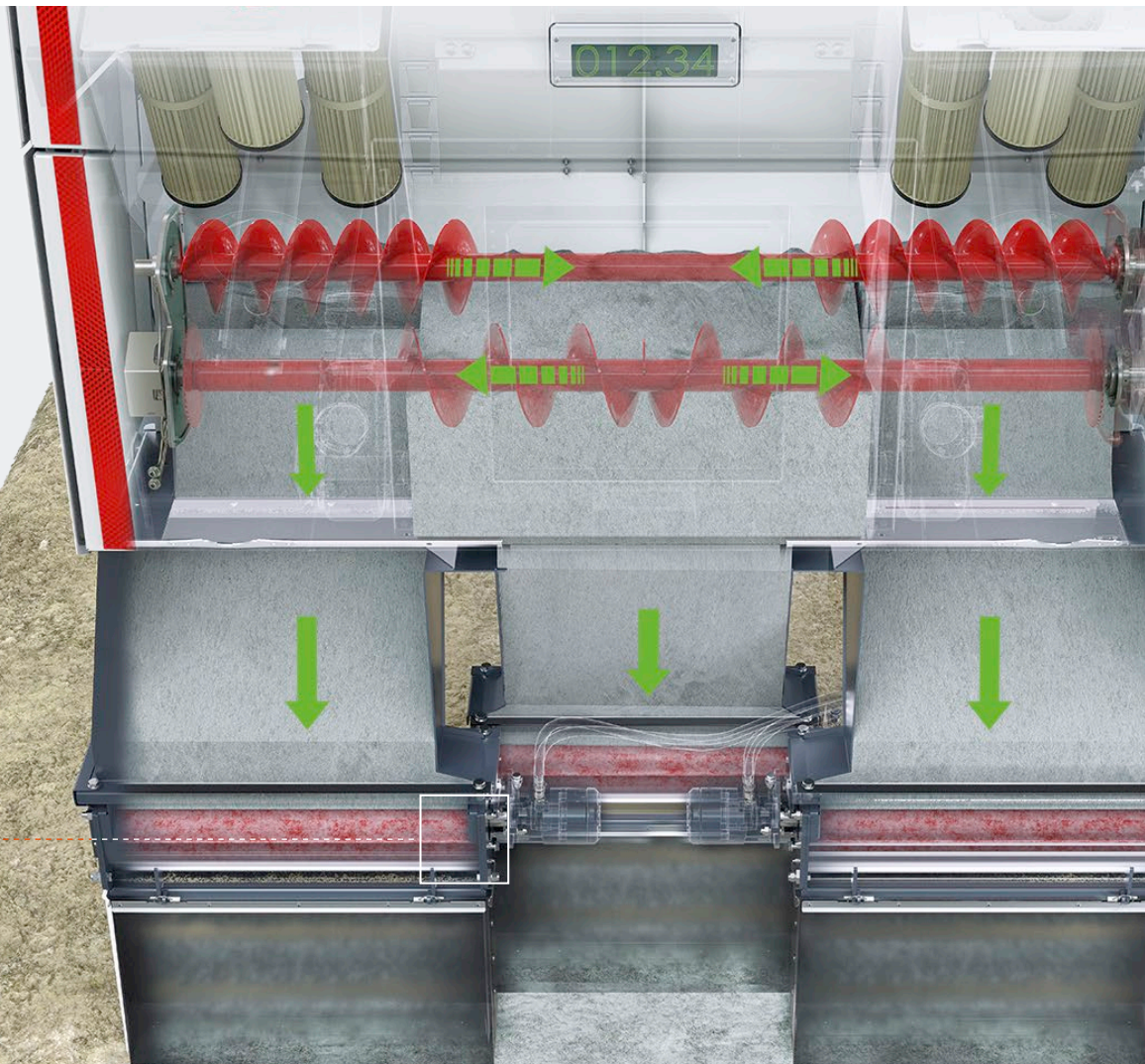
HIGH-EFFICIENCY MATERIAL CONVEYING

Optimum lateral distribution of the binding agent

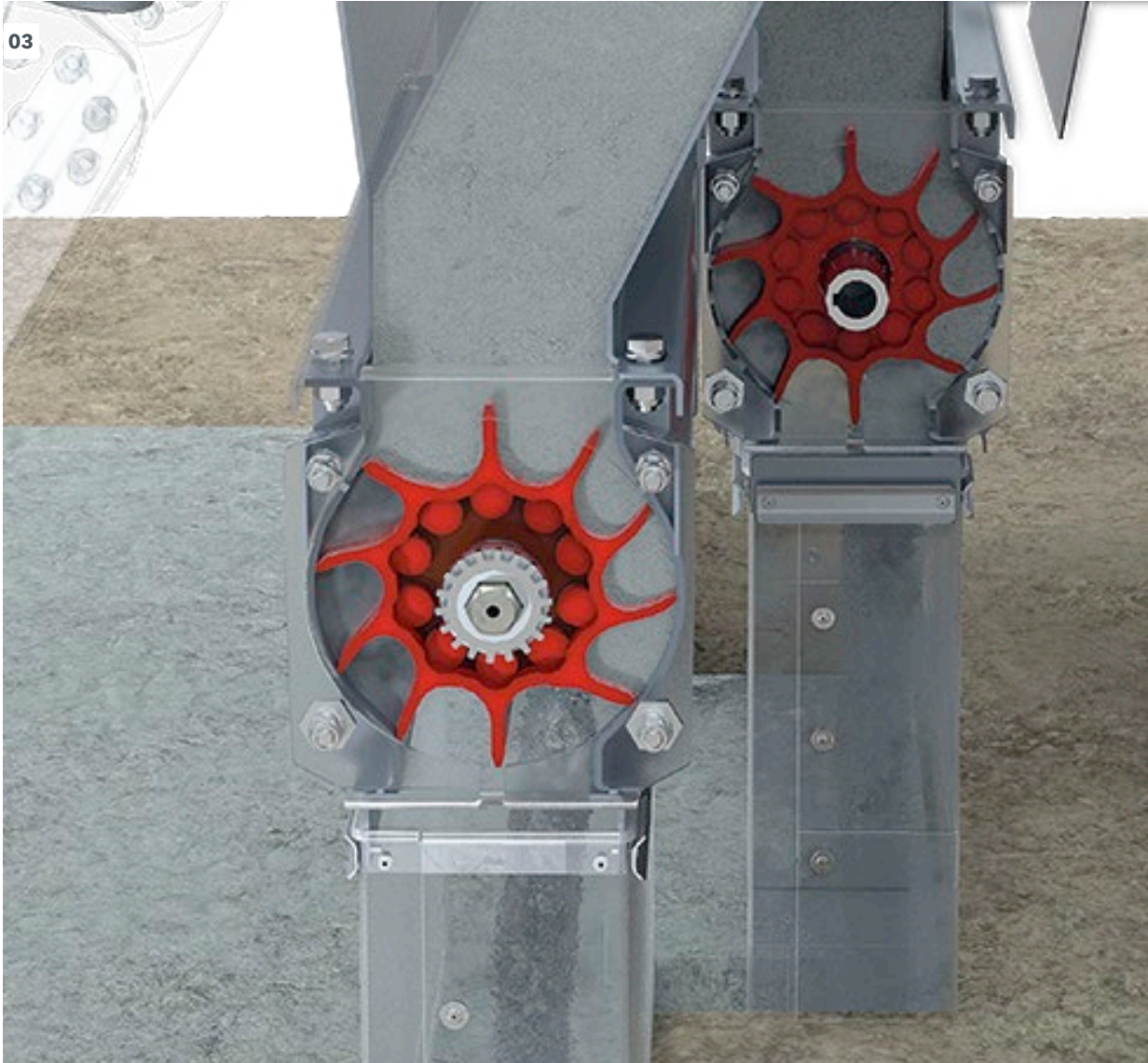
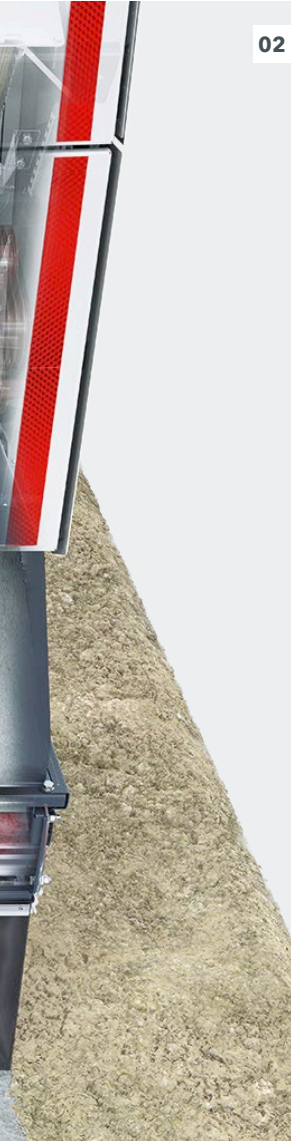
Two contra-rotating two distribution augers located above the filling chute ensure even and efficient lateral distribution of the binding agent across the three cellular wheel sluices. While the lower transverse auger distributes the material the full width of the container, the upper auger transports excess material back to the middle. Because they rotate in opposite directions, the augers create a cycle that results in a constant fill level above the cellular wheel sluices.

Monitored filling chutes

A sophisticated sensor system ensures constant monitoring of the filling chutes above the cellular wheel sluices. This ensures high process reliability by assuring sufficient filling of the cellular wheel sluices at all times.



- 01** Reliable binding agent feed.
- 02** The lateral distribution auger ensures that all dosing sluices are evenly filled with the binding agent.
- 03** The material is fed to the cellular wheel sluice through the filling chute.



HIGH-EFFICIENCY MATERIAL CONVEYING

01





Reliable binding agent feed

In combination with the sensor-monitored drive system, the innovative chain guide system that allows the chain conveyor to run only partially within the material reduces power demand and, in turn, reduces the fuel consumption. This convincing concept leads to lower operating costs.

Low-maintenance, self-tensioning conveyor chain

The chain slack of the chain conveyor provides automatic tensioning. Maintenance costs are therefore reduced to a minimum.

01 Optimized material conveying ensures maximum spreading performance. Automatic tensioning of the chain conveyor is guaranteed.

MAXIMUM SPREADING PRECISION

Self-cleaning dosing sluices

The spreading unit consists of patented dosing sluices featuring cellular wheels. Self-cleaning of the dosing sluices is assured by a special housing with pressure and relief zones and the elastomer cellular wheel. This is due to the regular deformation of the wheel cells, which removes any material adhering to their surfaces.

Separately controllable partial spreading widths

The binding agent can be spread across three different partial widths - in addition, the spread rate of each partial width can be individually adjusted (optional). This is useful, for example, when slightly more binding agent is needed on outer areas than on inner areas, e.g. when constructing embankments or dams.

Fully automated dosing of binding agents

Dosing of the binding agent is continuous and fully-automated. This guarantees that the binding agent is always discharged precisely, independent of the machine's travel speed. In combina-

tion with the optional WeighTronic electronic weighing system, the quantity spread is monitored and readjusted if required.

Universal, low-volume, or high-performance spreading units

Different spreading units can be selected for different applications and spread rates in soil stabilization or cold recycling. STREUMASTER offers two other spreading units as optional alternatives to the factory-fitted universal spreading unit with a spreading capacity of up to 77 lbs/yd² (42 kg/m²). While the low-volume spreading unit with a spreading capacity of up to 18 lbs/yd² (10 kg/m²) is particularly suitable for cold recycling applications, the high-performance spreading unit with a spreading capacity of up to 111 lbs/yd² (60 kg/m²) is used primarily in soil stabilization scenarios. All three spreading units operate based on the volumetric dosing principle. All the necessary parameters (cell volume, rotation speed, travel speed) are brought together in the control system and guarantee precise spread rates independent of the machine's travel speed.

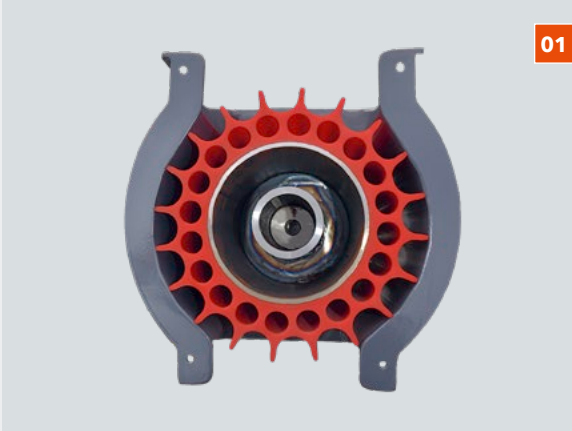


01 Spreading the binding agent in partial widths virtually eliminates the risk of overlaps in the spreading process.

02 Different spreading units are available for specific applications.

03 Self-cleaning dosing sluice, thanks to pressure and relief zones.

02



01



02

01 Low-volume spreading unit

02 Universal spreading unit

03 High-performance spreading unit

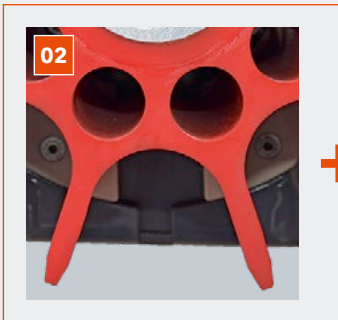


03

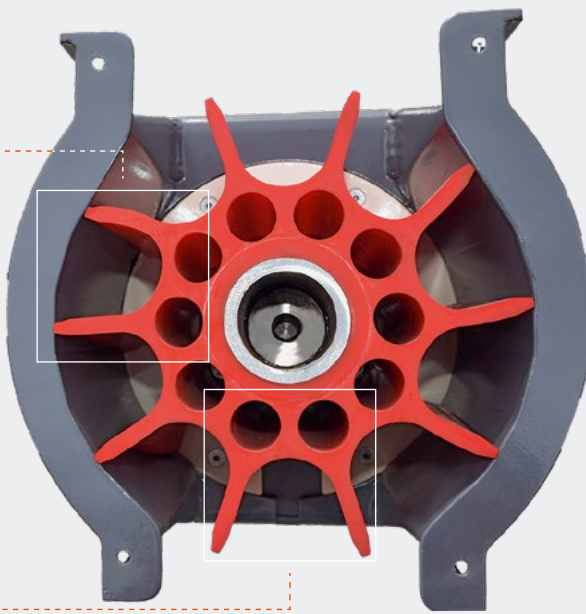
03



01



02



01 Pressure zone

02 Relief zone



MAXIMUM SPREADING PRECISION

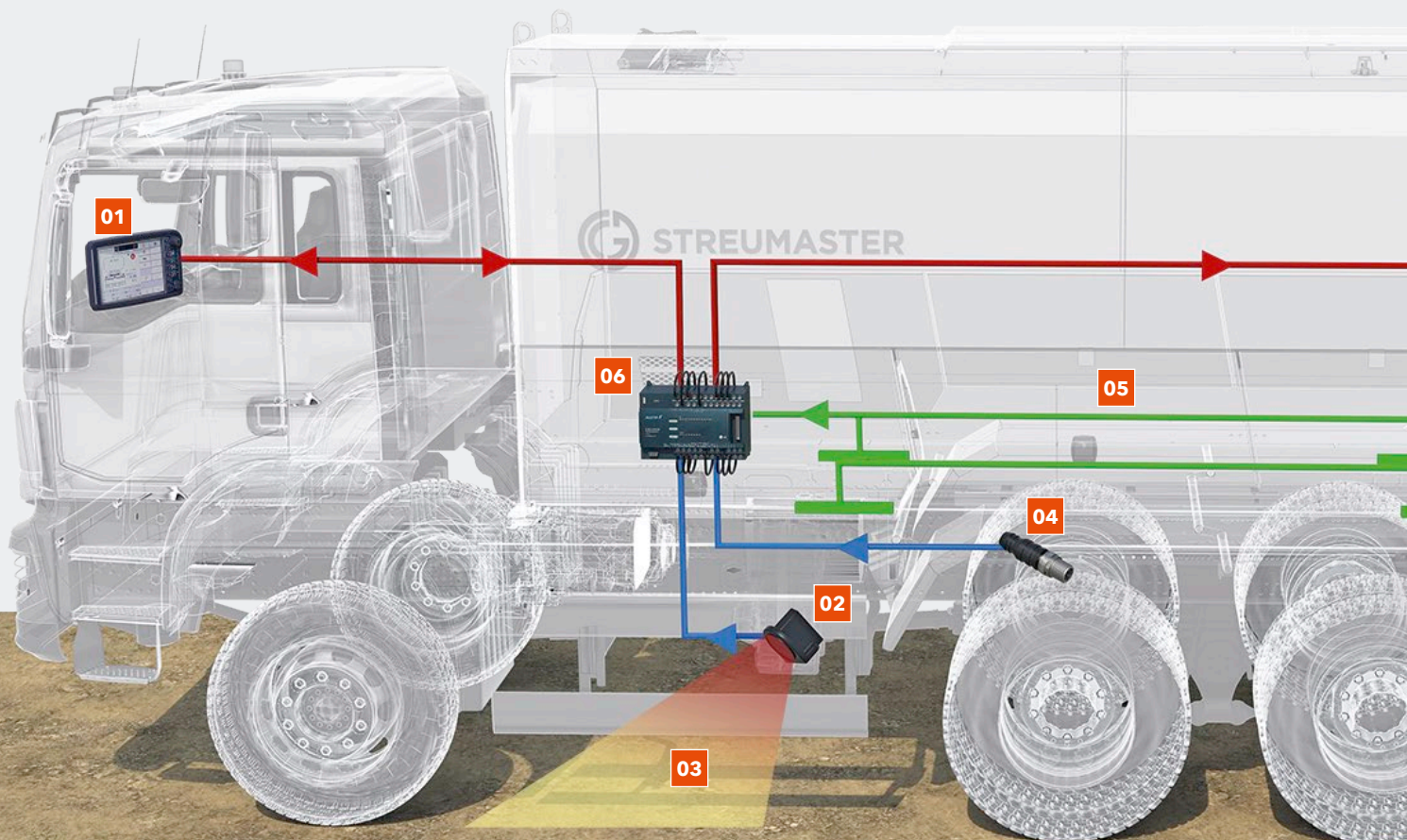
The WeighTronic electronic weighing system

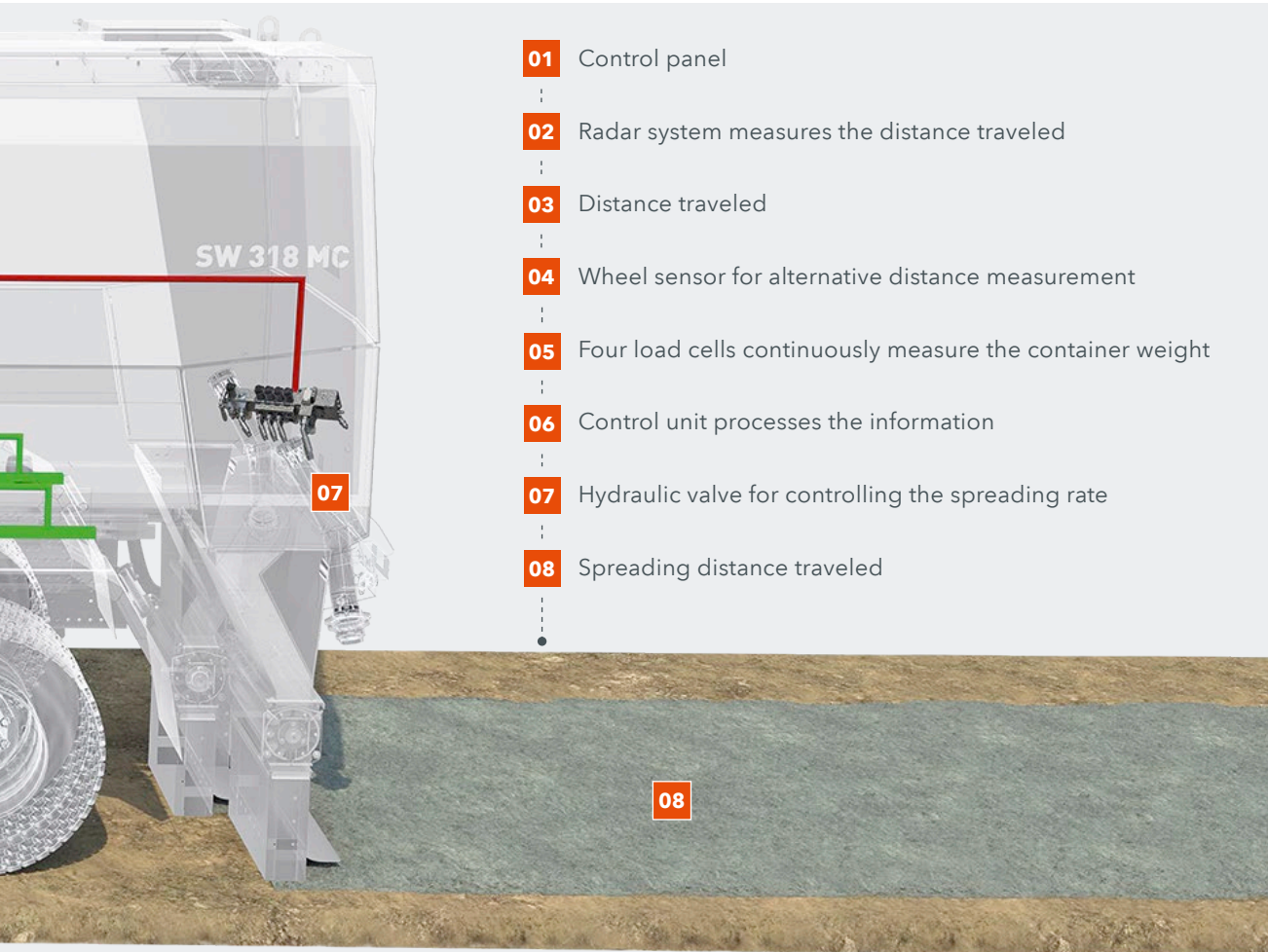
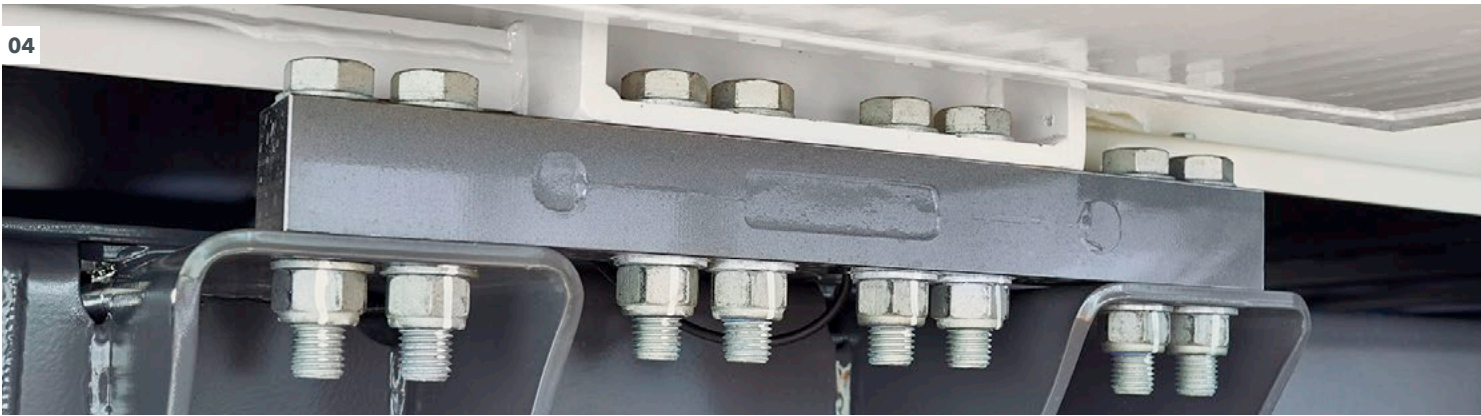
The WeighTronic electric weighing system continuously measures the container's fill weight and the quantity of binding agent discharged. The binding agent container is mounted on four load cells that make the measurements. The WeighTronic system continuously compares the actual and target values during spreading. Thanks to this, the binding agent spreader consistently guarantees the set quantity of the binding agent to be discharged (lbs/yd² (kg/m²)) and ensures maximum process reliability. The immediate and continuous adjustment also maximizes the spreading precision. On the whole, this leads primarily to considerably lower costs, as there is never more binding agent spread than is actually required.

Smart speed measurement

The precise speed and distance traveled is measured by a radar system mounted on the vehicle. Alternatively, this can be measured with the factory-fitted wheel sensor. This guarantees sufficiently precise measurement of the speed, regardless of the site conditions. This enables regulation of the spread rate at all times, independent of the travel speed.

01





- 01** Control panel
- ⋮
- 02** Radar system measures the distance traveled
- ⋮
- 03** Distance traveled
- ⋮
- 04** Wheel sensor for alternative distance measurement
- ⋮
- 05** Four load cells continuously measure the container weight
- ⋮
- 06** Control unit processes the information
- ⋮
- 07** Hydraulic valve for controlling the spreading rate
- ⋮
- 08** Spreading distance traveled

- 01** Graphic visualization of the most important control components.
- 02** The current measurements are displayed to the machine operator on the control panel.
- 03** The radar system registers the speed.
- 04** WeighTronic processes the values measured by the load cells.

08

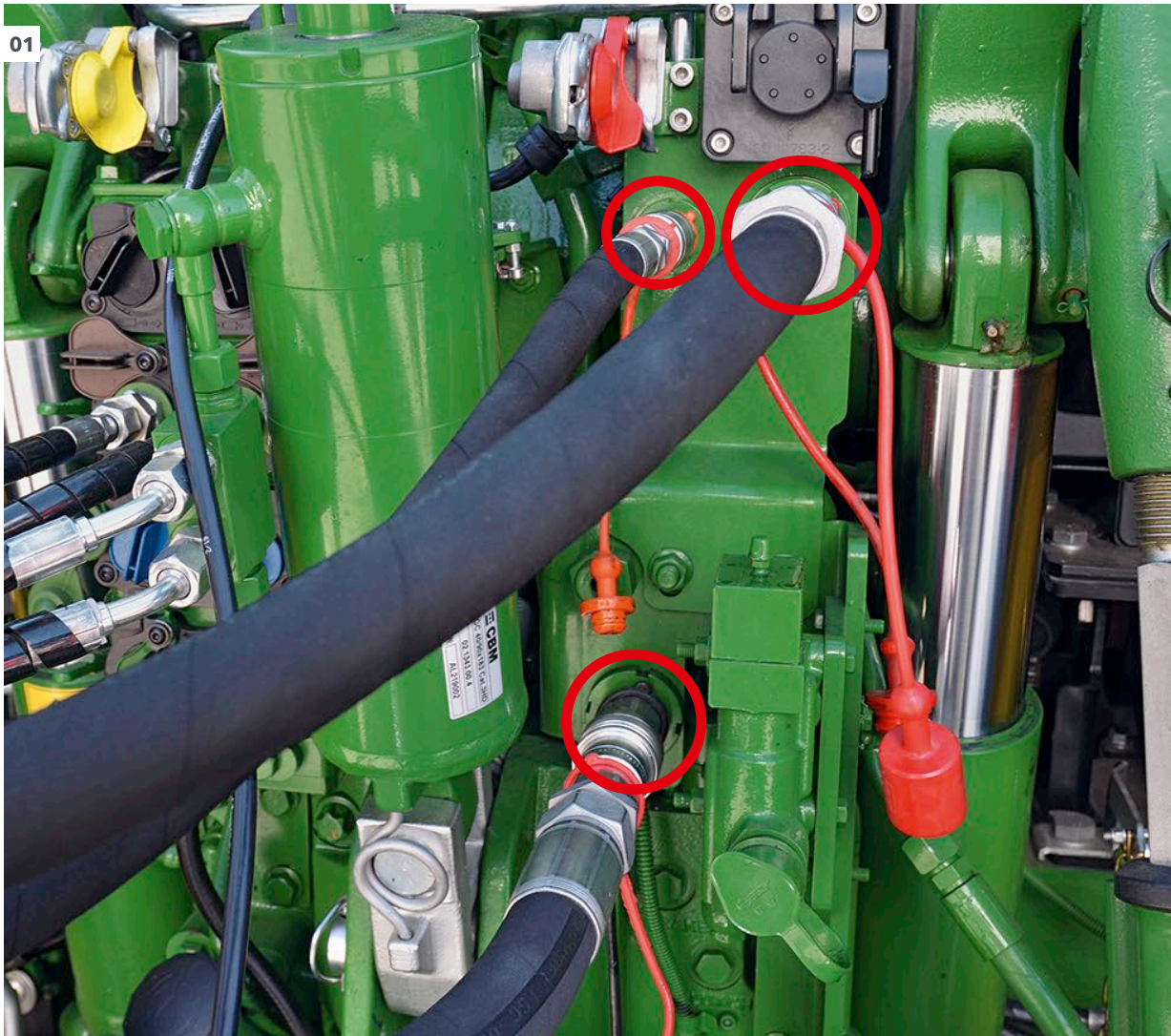
FLEXIBLE DRIVE SYSTEMS

Power supplied by the hydraulic system of the towing vehicle (Power Beyond)

Power Beyond uses the hydraulic system of the towing vehicle and is characterized by low acquisition costs and low maintenance. The STREUMASTER TC binding agent spreaders are designed for the use of the Power Beyond system as a standard feature and can therefore be used without their own on-board hydraulic system.

On-board hydraulic system powered by a wide-angle cardan shaft from the power take-off of the towing vehicle

In the case of the TC series, the hydraulic system of the spreader can also be powered by a wide-angle cardan shaft coupled to the power take-off of the towing vehicle. This is a widespread solution that offers enormous flexibility on construction sites.



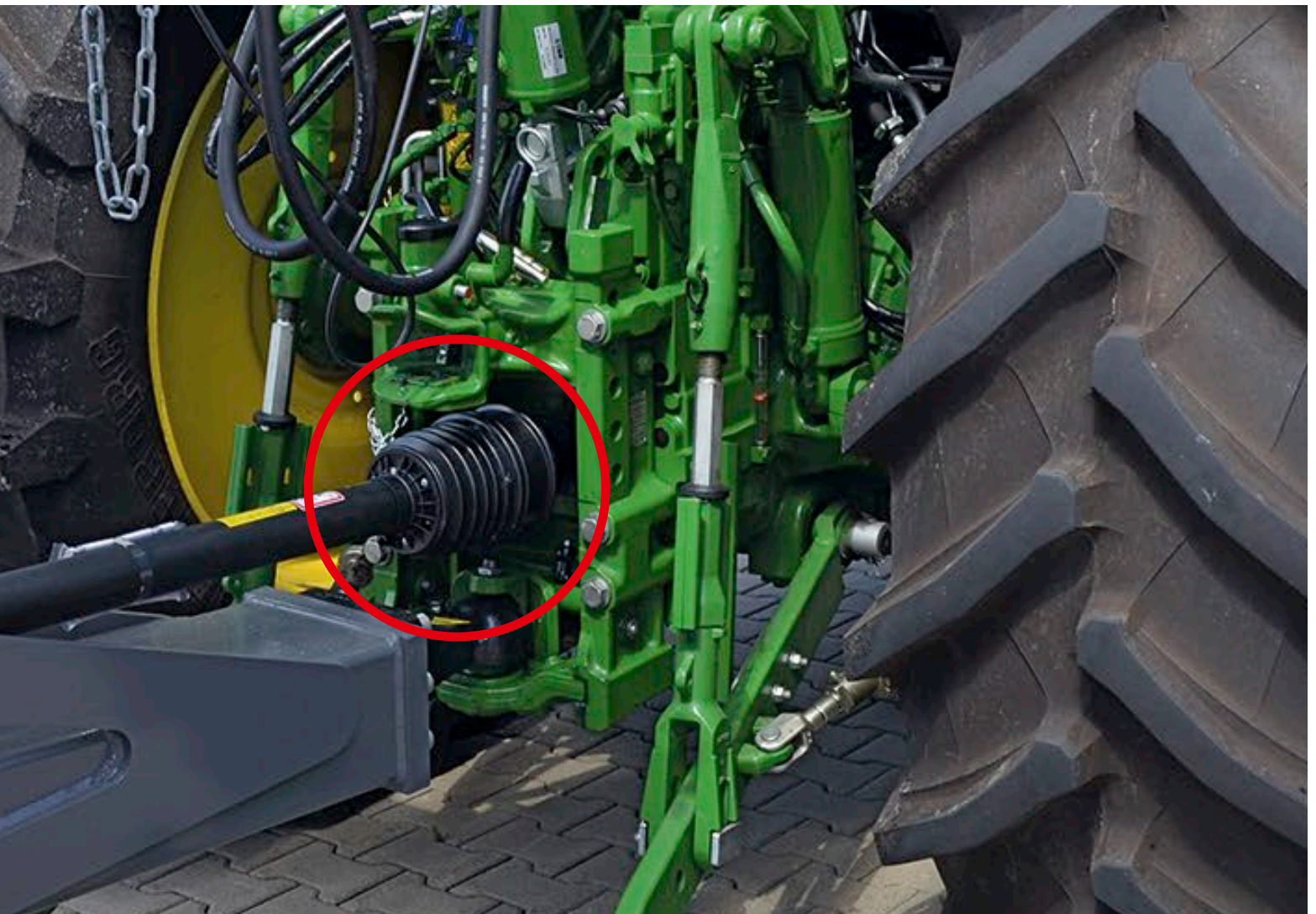
Drive system for truck mounted spreaders

In the case of MC series, the hydraulic system of the binding agent spreader is powered by the carrier vehicle's power take-off. This enable reliable and cost-efficient operation of the spreader.

Autonomous drive capability by means of an optional auxiliary engine

TC and MC series spreaders can also be supplied with an integrated auxiliary engine option. The auxiliary diesel engine powers the spreader's hydraulic oil circulation system. This eliminates the need for an additional cardan shaft or a hydraulic connection. As a result, the binding agent spreader can be powered completely autonomously.

- 01 Power Beyond is compatible with the majority of modern towing vehicles.
- 02 The wide-angle cardan shaft allows the TC series to be conveniently powered from the power take-off of the towing vehicle.
- 03 The auxiliary engine allows complete independence from the towing and carrier vehicle.



INNOVATIVE AND MULTI-FUNCTIONAL OPERATING CONCEPT

Control panel with intuitive user interface for easy operating

The control panel for monitoring and controlling the STREUMASTER binding agent spreader features a large 12-inch color display. This means that the operator always has a clear overview of all options and spreading settings. The operating values and function keys can be set individually on the user interface. The split-screen function of the panel serves as a monitor for the optional camera system.

Convenient, continuous spread rate regulation

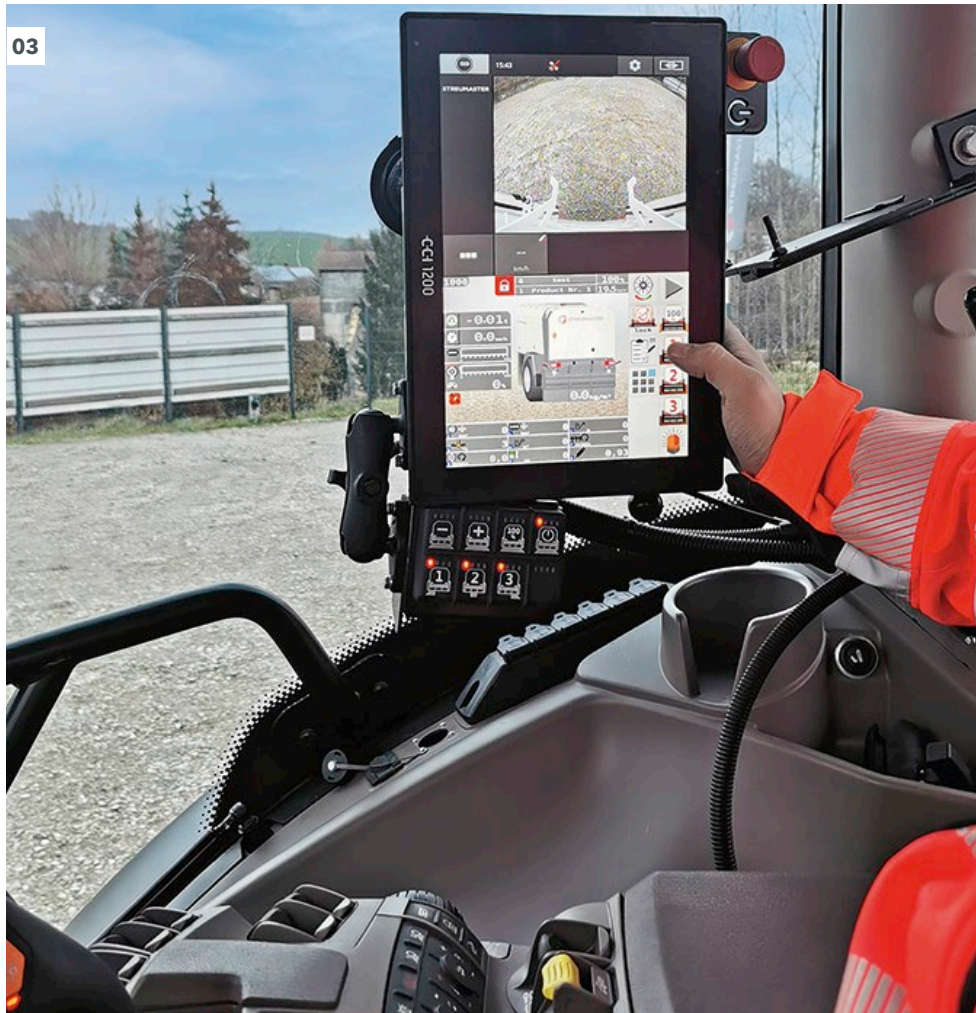
The spread rate in lbs/yd² (kg/m²) and various bulk densities of the binding agent can be entered easily and conveniently via the control panel's touch-screen user interface.

Container fill-level monitoring

Sensors indicate whether the container is "almost full" or "full" with optical and acoustic signals. This makes it easy to monitor

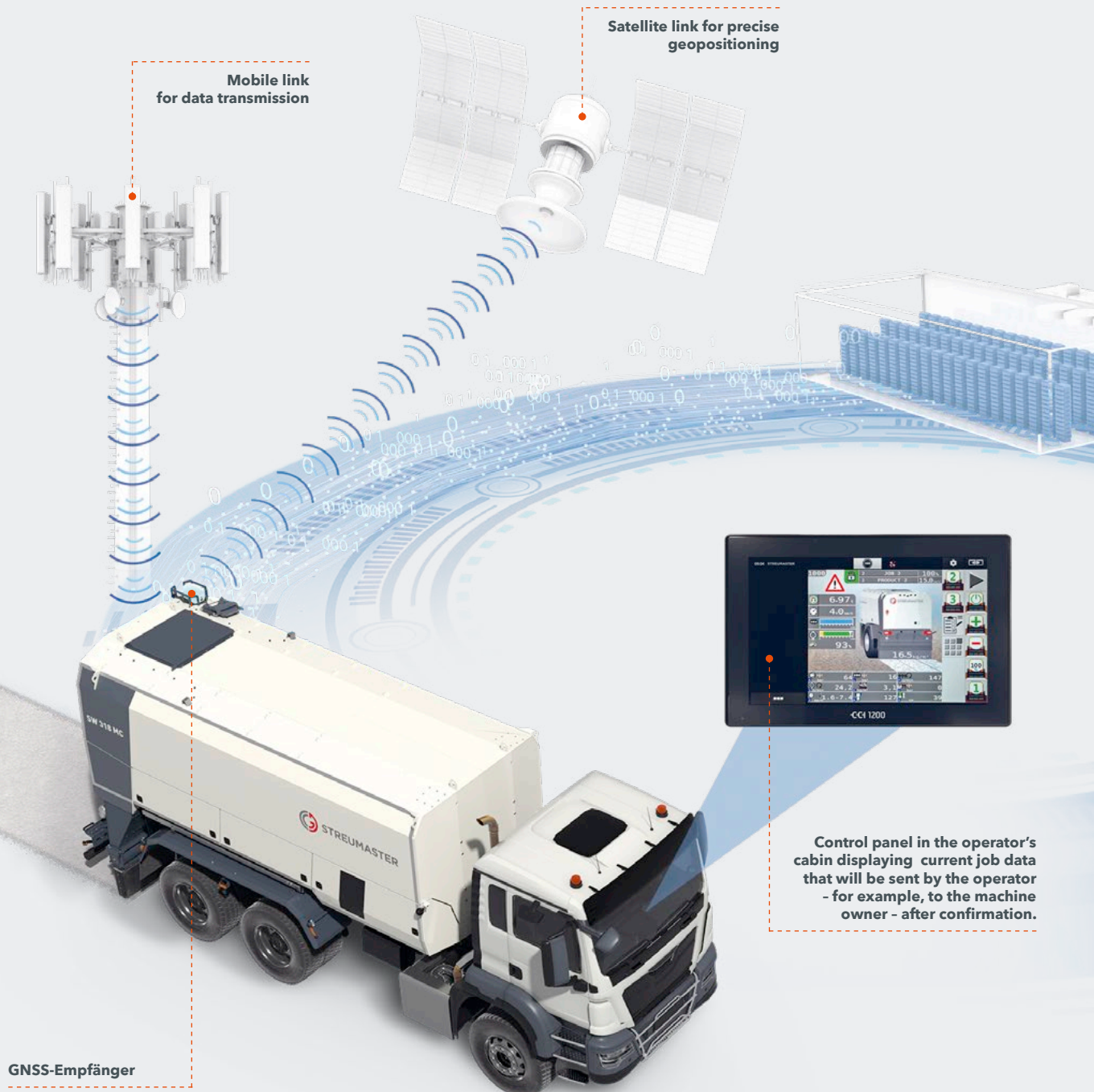


the fill level. A weight display at the rear of the container is available in conjunction with the WeighTronic option. This display makes it possible to read and check the weight of the binding agent in the container from the outside at any time during the filling process.



- 01** The optimal positioning of the control elements enables easy operation.
- 02** Two sensors at the top of the container measure the fill level.
- 03** Split-screen function with simultaneous display of machine operating and camera view (only with optional camera system).

HIGH-PRECISION WPT- WIRTGEN PERFORMANCE TRACKER



- 01 The operator receives constant information about the current machine and job parameters and, at the end of the working day, this data is transmitted to the machine owner simply by pressing a button.



01

Data center for automatic generation of the WPT report

WPT report with the most important performance and consumption data for the resource planner

STREUMASTER binding agent spreaders are equipped with innovative WIRTGEN hardware-components that, amongst other things, enable the use of **WPT** and all associated software modules. STREUMASTER binding agent spreaders are therefore fully integrated in this WIRTGEN GROUP system solution.

Precise tracking of spreading performance

WIRTGEN PERFORMANCE TRACKER WPT is a satellite-positioning-based monitoring and tracking system for precise documentation of construction sites. It records all relevant site-specific parameters and documents them in a detailed project site report. After completion of the work (e.g. the end of the working day), the machine operator presses the send button to transmit the data to the WITOS server via the telematic control unit (TCU) of the mobile communication interface. From there, the data are distributed to the designated recipients, e.g. in the form of a report by e-mail.

The GNSS receiver with the licensed SF-RTK correction signal enables accuracy in the range of ± 1 in (2.5 cm) from strip to strip, and this with a very quick pull-in time. This enables the documentation of extremely precisely-positioned machine information immediately after the day's work begins, i.e. as soon as the machine is started.

In addition to high-precision GNSS machine position data, the report contains various parameters such as the working width, the distance and area covered, and the quantities of binding agent added. In addition a separate layer file in PDF format shows the respective working widths and the precise locations at which binding agents were added and the corresponding overlap.

The results enable a precise analysis of performance on the construction site, the quality of the results delivered, and the process efficiency. This in turn enables detailed accounting of all processes and the identification of future savings potentials. At the same time, at the end of each shift, the resource planner receives reliable and precise documentation of performance and progress on the construction site without any additional effort.

STREUMASTER binding agent spreaders are suitable both for spreading large quantities of binding agents during soil stabilization and for spreading small quantities of binding agents with maximum precision in cold recycling scenarios. The TC series binding agent spreaders are available as single-axle and tandem trailers and can be towed by towing vehicles with an engine output of either approx. 132 kW / 178 HP / 180 PS for single-axle or approx. 184 kW / 247 HP / 250 PS for tandem trailers. The MC series mobile binding agent spreaders are mounted on a carrier vehicle and are therefore predestined for use in difficult off-road terrain.



TECHNICAL DATA	SW 112 TC	SW 218 TC
Container		
Container Volume	424 ft ³ (12 m ³)	636 ft ³ (18 m ³)
Size of filling connector / filling line	4"	4"
Chain Conveyor		
Chain conveyor width	2 ft 11 in (900 mm)	
Spreading Unit (Dosing Sluices)		
Working width / partial spreading widths	7 ft 9 in (2 ft 8 in / 2 ft 4 in / 2 ft 8 in) (2,360 mm (820 mm / 720 mm / 820 mm))	
Spread Rate at 1.25 mph (2 km/h)		
> DN 230-20 spreading unit	2 to 18 lbs/yd ² (1 to 10 kg/m ²) ¹⁾	
> DN 230-10 spreading unit	6 to 77 lbs/yd ² (3 to 42 kg/m ²) ¹⁾	
> DN 410-17 spreading unit	9 to 111 lbs/yd ² (5 to 60 kg/m ²) ¹⁾	
Hydraulic System		
Required hydraulic power ²⁾	37 gal/min x 2,900 psi (140 l/min x 200 bar)	
Hydraulic oil tank filling capacity ³⁾	14.5 gal (55 l)	
Weights		
Unladen weight ⁴⁾	13,668 lbs (6,200 kg)	18,519 lbs (8,400 kg)
Permissible gross weight ⁵⁾	28,660 lbs (13,000 kg)	46,297 lbs (21,000 kg)
Technically permissible gross weight	39,683 lbs (18,000 kg)	59,525 lbs (27,000 kg)
Tires		
Standard tire size	710 / 50 - 30.5	700 / 50 - 26.5
Permissible travel speed ⁶⁾	15.5 mph (25 km/h)	
Dimensions		
Transport dimensions (L x W x H) ⁷⁾	24 ft 4 in x 9 ft 2 in x 10 ft 8 in (7,420 x 2,790 x 3,240 mm)	29 ft 3 in x 9 ft 6 in x 11 ft 4 in (8,910 x 2,890 x 3,460 mm)
Towing Vehicle Requirements		
Required engine power ⁸⁾	> 132 kW / 178 HP / 180 PS (all-wheel drive)	> 184 kW / 247 HP / 250 PS (all-wheel drive)
Required cardan shaft speed	1,000 rpm	
Tongue weight on drawbar	6,614 lbs (3,000 kg) ⁹⁾	6,614 lbs (3,000 kg)
Electrical system	12 V / 60 A	

¹⁾ At 1.25 mph (2 km/h), binding agent density 62.5 lbs/cft (1 kg/l)

²⁾ Required hydraulic power when operating spreader via Power Beyond

³⁾ Only with optional wide angle cardan shaft drive and auxiliary engine

⁴⁾ Weight in standard configuration - may vary

⁵⁾ On public roads in compliance with German road traffic licensing regulations (StVZO)

⁶⁾ 25 mph (40 km/h) with mudguards selected

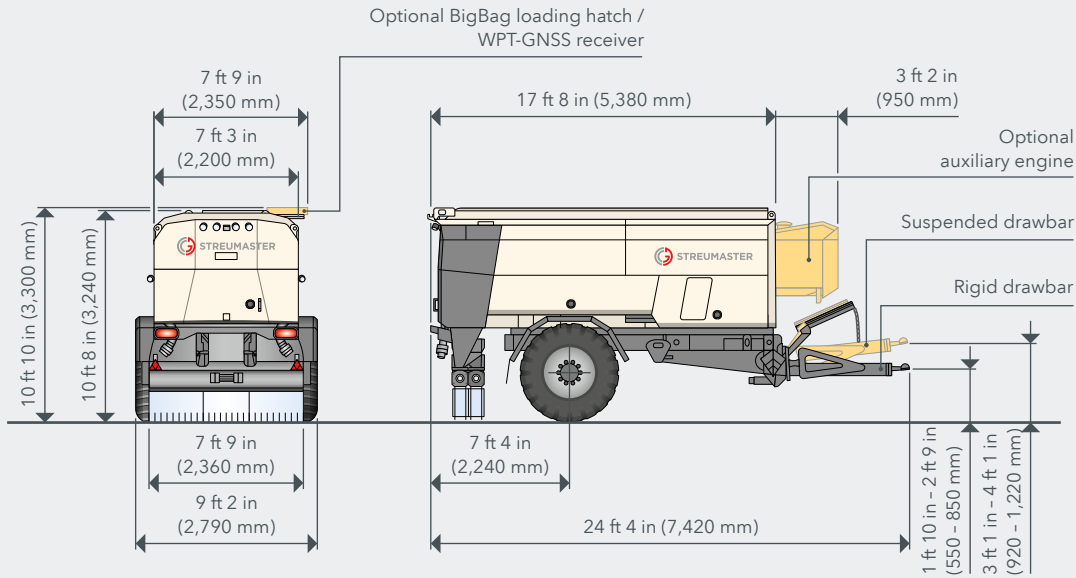
⁷⁾ Transport dimensions may vary. Dimensions with standard equipment

⁸⁾ Dependent on job location and application

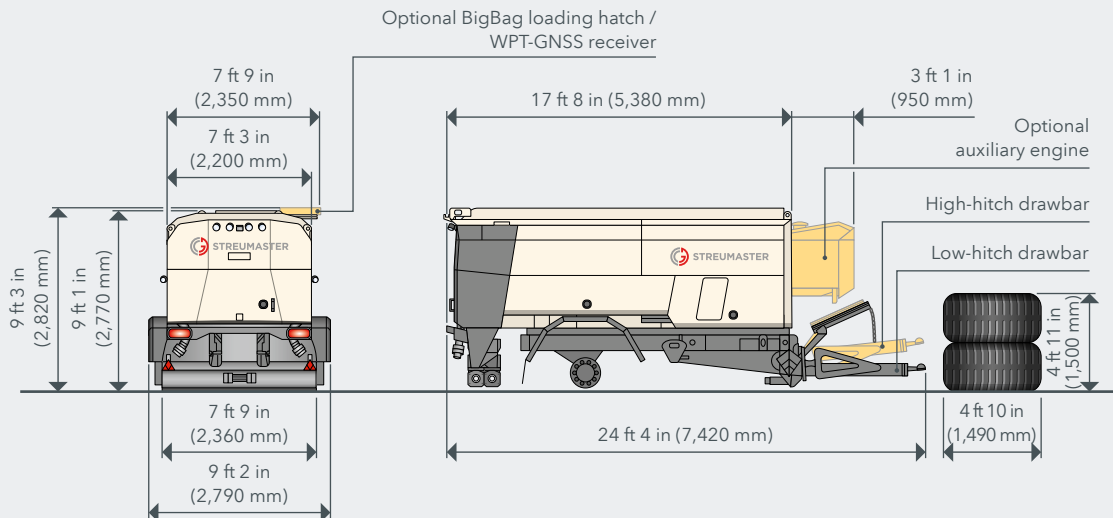
⁹⁾ Minus 1.1 t (1 t) for towing hitch with suspended drawbar

Tongue weight for all TC models with commercial license is 1.1 t (1 t) (observe permissible gross weight)

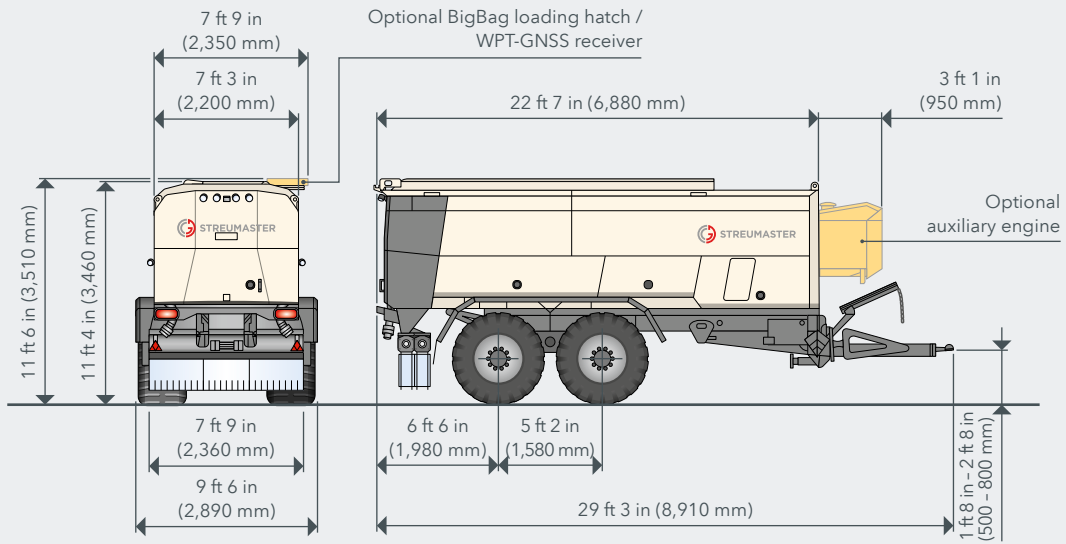
MACHINE TRANSPORT SW 112 TC - TIRES FITTED



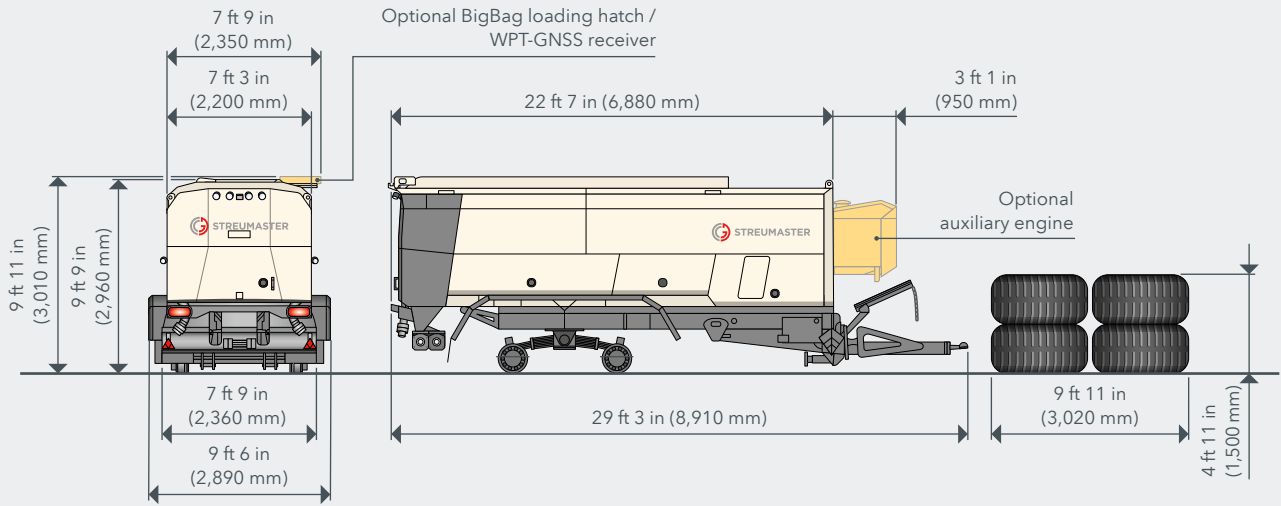
MACHINE TRANSPORT SW 112 TC - TIRES REMOVED



MACHINE TRANSPORT SW 218 TC - TIRES FITTED



MACHINE TRANSPORT SW 218 TC - TIRES REMOVED



STANDARD EQUIPMENT	SW 112 TC	SW 218 TC
Container / Chassis		
> High-performance binding agent spreader for soil stabilization and cold recycling as a trailer with one axle	■	—
> High-performance binding agent spreader for soil stabilization and cold recycling as a trailer with tandem axle	—	■
> Container with a capacity of 424 ft ³ (12 m ³), including gate valve at the rear binder outlet	■	—
> Container with a capacity of 636 ft ³ (18 m ³), including gate valve at the rear binding agent outlet	—	■
> Double-sided pneumatic high-speed filling device in size R4" with connection coupling and stone screen	■	■
> Exhaust pipe for container ventilation and overpressure flap integrated in the container	■	■
> Sensor-controlled chain conveyor made of drop-forged chain links and transport strips, 2 ft 11 in (900 mm) wide conveyor tunnel, OptiPower chain drive system with automatic load control	■	■
> Two cross augers for transferring the spreading material to the metering sluices	■	■
> Lockable basic storage compartment at the front left in the direction of travel	■	■
> Single-axle chassis with hydraulic drawbar suspension and manual parking brake	■	■
> Hydraulic support foot with hand pump	■	■
> Low-pressure tires 710/50-30.5	□	—
> Low-pressure tires 700/50-26.5	—	□
> Brake system, hydraulic	□	□
> Low-mounting towing device with drawbar eye, 2 in (50 mm) diameter	□	□
Drive System / Control System / On-Board Computer		
> Container level indicator at the rear of the machine for "almost full" and "full" by means of a signal tone and optical warning lamp	■	■
> Innovative Isobus machine control for monitoring and controlling the binding agent spreader. It ensures exact spreading of the preselected spread rate in lbs/ft ² (kg/m ²), regardless of the travel speed. The binding agent spreader is operated via the tractor's own Isobus operator terminal.	■	■
> Oil supply of the entire spreader hydraulic system through the load sensing hydraulic system of the towing vehicle (Power Beyond). Required hydraulic output of the towing vehicle at least 37 gal/min (140 l/min) at 2,900 psi (200 bar).	■	■
> The hydraulic and electrical systems are protected behind lockable doors	■	■
> Drive via the hydraulic system of the towing vehicle	□	□

STANDARD EQUIPMENT	SW 112 TC	SW 218 TC
Spreading Unit		
> Volumetric spread rate metering, fully automatic and independent of travel speed	■	■
> Universal spreading mechanism DN 230-10, spreading width 7 ft 9 in (2.36 m)	□	□
Miscellaneous		
> Collecting trough and suspended weigher for checking the weights	■	■
> Technical documentation in printed and digital form	■	■
> Standard painting in RAL 9001 (cream)	□	□
> Standard warranty	□	□
> WITOS FleetView	□	□
> Prefit for WIRTGEN PERFORMANCE TRACKER WPT	□	□

- = Standard equipment
- = Standard equipment, can be replaced with optional equipment if required
- = Optional equipment



OPTIONAL EQUIPMENT	SW 112 TC	SW 218 TC
Container / Chassis		
> Low-pressure tires 800/45-30.5	<input type="checkbox"/>	—
> Low-pressure tires 600/60-30.5	<input type="checkbox"/>	—
> Low pressure tires 800/40-26.5	—	<input type="checkbox"/>
> Brake system, compressed air	<input type="checkbox"/>	<input type="checkbox"/>
> Combined brake system, compressed air, and hydraulics	<input type="checkbox"/>	<input type="checkbox"/>
> Low-mounting towing device with hitch ball towing system K80	<input type="checkbox"/>	<input type="checkbox"/>
> High-mounting towing device with drawbar eye, 1.6 in (40 mm) diameter	<input type="checkbox"/>	—
> High-mounting towing device with hitch ball towing system K80	<input type="checkbox"/>	—
Drive System / Control System / On-Board Computer		
> Spreader hydraulics driven by the towing vehicle's power take-off shaft	<input type="checkbox"/>	<input type="checkbox"/>
> Add-on diesel engine, 55 kW - non-labelled	<input type="checkbox"/>	<input type="checkbox"/>
> Auxiliary diesel engine 55 kW - exhaust emissions category US EPA Tier 4f / EU Stage 5	<input type="checkbox"/>	<input type="checkbox"/>
> Control panel 12" without tractor Isobus cable harness	<input type="checkbox"/>	<input type="checkbox"/>
> Control panel 12" with tractor Isobus cable harness	<input type="checkbox"/>	<input type="checkbox"/>
> Active weighing device WeighTronic	<input type="checkbox"/>	<input type="checkbox"/>
> Display showing the weight of the filling quantity	<input type="checkbox"/>	<input type="checkbox"/>
Spreading Unit		
> Minimum quantity spreading mechanism DN 230-20, spreading width 7 ft 9 in (2.36 m)	<input type="checkbox"/>	<input type="checkbox"/>
> High-performance spreading mechanism DN 410-17, spreading width 7 ft 9 in (2.36 m)	<input type="checkbox"/>	<input type="checkbox"/>
> Individual spreading quantity regulation for each partial width DSR	<input type="checkbox"/>	<input type="checkbox"/>
Drive Adaptors		
> Wide-angle cardan shaft 1- ³ / ₈ " 6 parts	<input type="checkbox"/>	<input type="checkbox"/>
> Wide-angle cardan shaft 1- ³ / ₄ " 6 parts	<input type="checkbox"/>	<input type="checkbox"/>
> Wide-angle cardan shaft 1- ³ / ₄ " 20 parts	<input type="checkbox"/>	<input type="checkbox"/>

OPTIONAL EQUIPMENT	SW 112 TC	SW 218 TC
Miscellaneous		
> Painting in one special color (RAL)	<input type="checkbox"/>	<input type="checkbox"/>
> Special warranty on request	<input type="checkbox"/>	<input type="checkbox"/>
> German TÜV approval for trailers, commercial up to 9 ft 10 in (3.00 m)	<input type="checkbox"/>	<input type="checkbox"/>
> German Technical Inspection Agency (TÜV) approval for trailers, standard	<input type="checkbox"/>	<input type="checkbox"/>
> Data confirmation of the German inspection authority	<input type="checkbox"/>	<input type="checkbox"/>
> Mudguard for single-axle trailer, for 25 mph (40 km/h)	<input type="checkbox"/>	-
> Mudguards for tandem trailer, for 25 mph (40 km/h)	-	<input type="checkbox"/>
> Compressor HK450	<input type="checkbox"/>	<input type="checkbox"/>
> High performance compressor M111H	<input type="checkbox"/>	<input type="checkbox"/>
> Hose filter for filling device	<input type="checkbox"/>	<input type="checkbox"/>
> Dust separation filter for filling device	<input type="checkbox"/>	<input type="checkbox"/>
> Version without WITOS telematics solution	<input type="checkbox"/>	<input type="checkbox"/>
> Version without prefit for WIRTGEN PERFORMANCE TRACKER WPT	<input type="checkbox"/>	<input type="checkbox"/>
> Printer for recording the job data	<input type="checkbox"/>	<input type="checkbox"/>
> WIRTGEN PERFORMANCE TRACKER WPT	<input type="checkbox"/>	<input type="checkbox"/>
> High pressure cleaner	<input type="checkbox"/>	<input type="checkbox"/>
> Camera system for rear working area	<input type="checkbox"/>	<input type="checkbox"/>
> 7" monitor for camera system	<input type="checkbox"/>	<input type="checkbox"/>
> 6 LED working lights	<input type="checkbox"/>	<input type="checkbox"/>
> Rotary beacon LED	<input type="checkbox"/>	<input type="checkbox"/>
> Loading hatch for BigBag filling	<input type="checkbox"/>	<input type="checkbox"/>
> Towing device at the rear of the machine	<input type="checkbox"/>	<input type="checkbox"/>
> Additional side storage compartments	<input type="checkbox"/>	<input type="checkbox"/>
> Central lubrication system for single-axle binding agent spreader	<input type="checkbox"/>	-
> Central lubrication system for tandem binding agent spreader	-	<input type="checkbox"/>

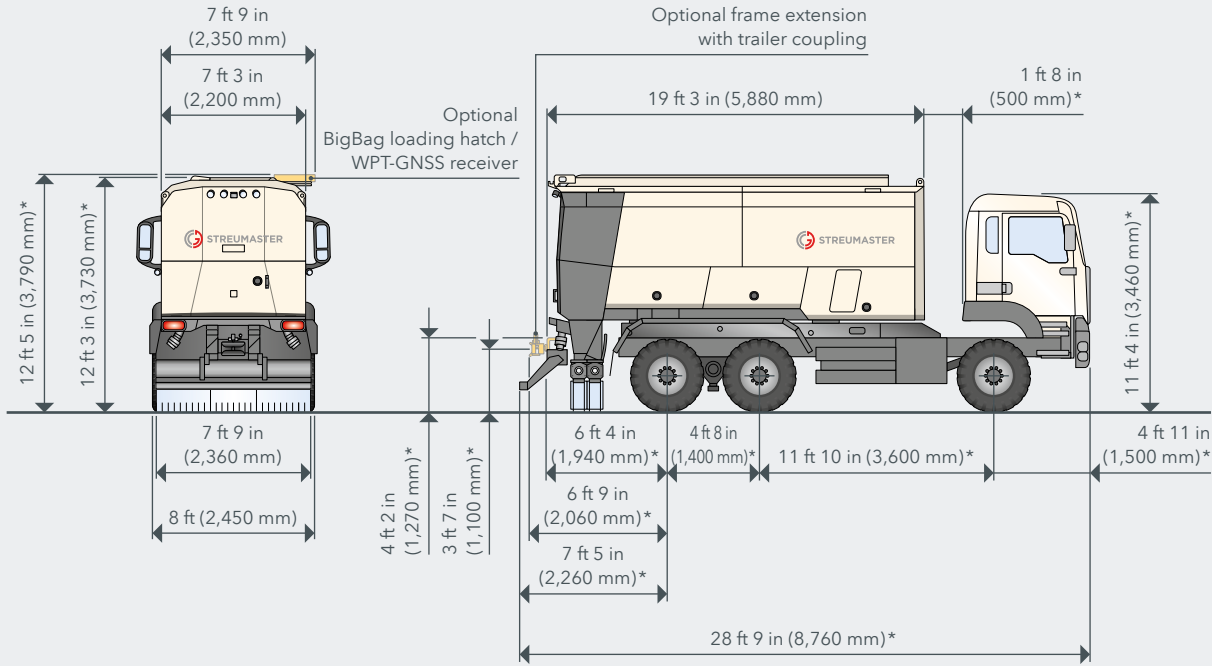
- = Standard equipment
- ▒ = Standard equipment, can be replaced with optional equipment if required
- = Optional equipment

TECHNICAL DATA	SW 318 MC	SW 418 MC	SW 422 MC
Container			
Container Volume	636 ft ³ (18 m ³)	636 ft ³ (18 m ³)	777 ft ³ (22 m ³)
Size of filling connector / filling line	4"	4"	4"
Chain Conveyor			
Chain conveyor width	2 ft 11 in (900 mm)		
Spreading Unit (Dosing Sluices)			
Working width / partial spreading widths	7 ft 9 in (2 ft 8 in / 2 ft 4 in / 2 ft 8 in) (2,360 mm (820 mm / 720 mm / 820 mm))		
Spread Rate at 1.25 mph (2 km/h)			
> DN 230-20 spreading unit	2 to 18 lbs/yd ² (1 to 10 kg/m ²) ¹⁾		
> DN 230-10 spreading unit	6 to 77 lbs/yd ² (3 to 42 kg/m ²) ¹⁾		
> DN 410-17 spreading unit	9 to 111 lbs/yd ² (5 to 60 kg/m ²) ¹⁾		
Hydraulic System			
Required hydraulic power	37 gal/min x 2,900 psi (140 l/min x 200 bar)		
Hydraulic oil tank filling capacity	14.5 gal (55 l)		
Weights			
Unladen weight of truck-mountable spreader ²⁾	11,244 lbs (5,100 kg)	11,684 lbs (5,300 kg)	12,125 lbs (5,500 kg)
Truck Requirements			
Minimum speed of truck power take-off	500 rpm		
Required speed of truck power take-off for max. hydraulic power	1,250 rpm		
Required output of power take-off	50 kW		
Max. permissible speed of truck power take-off	Spreading operation active 2,100 rpm / spreading operation inactive 2,600 rpm		
Required torque of truck power take-off	368.8 ft lb (500 Nm)		
Electrical system	12 V / 60 A		

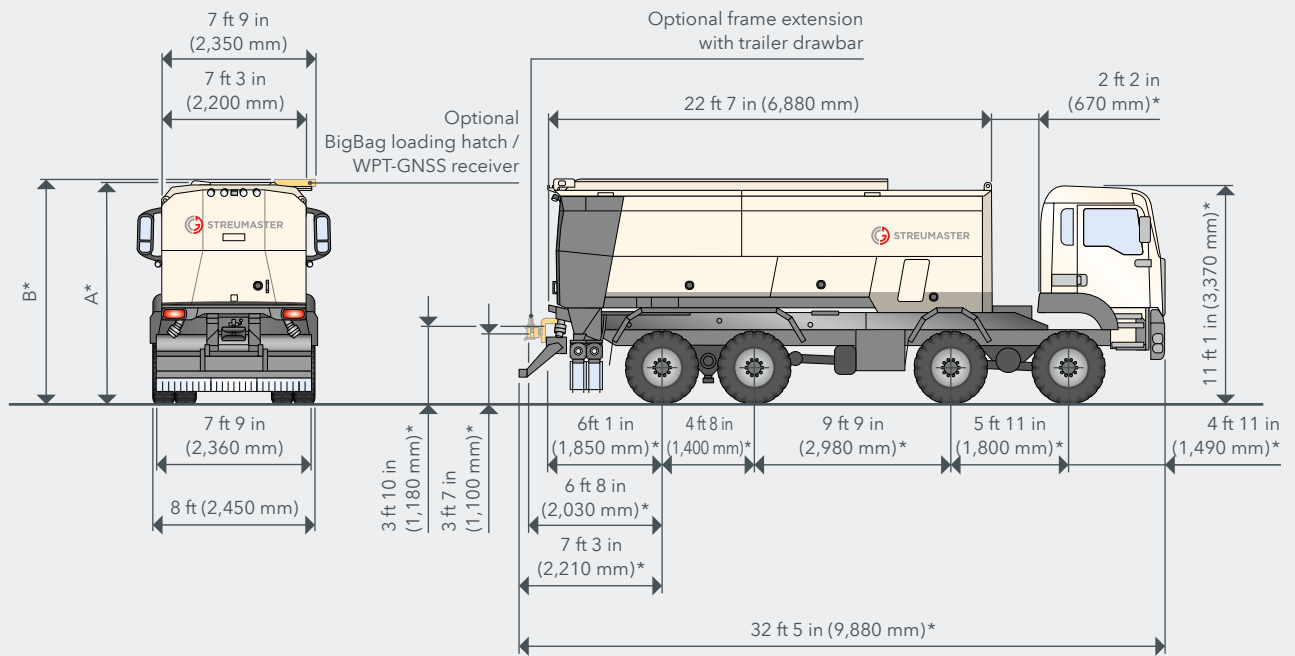
¹⁾ At 1.25 mph (2 km/h), binding agent density 62.5 lbs/cft (1 kg/l)

²⁾ Weight in standard configuration - may vary

REAR VIEW / SIDE VIEW SW 318 MC



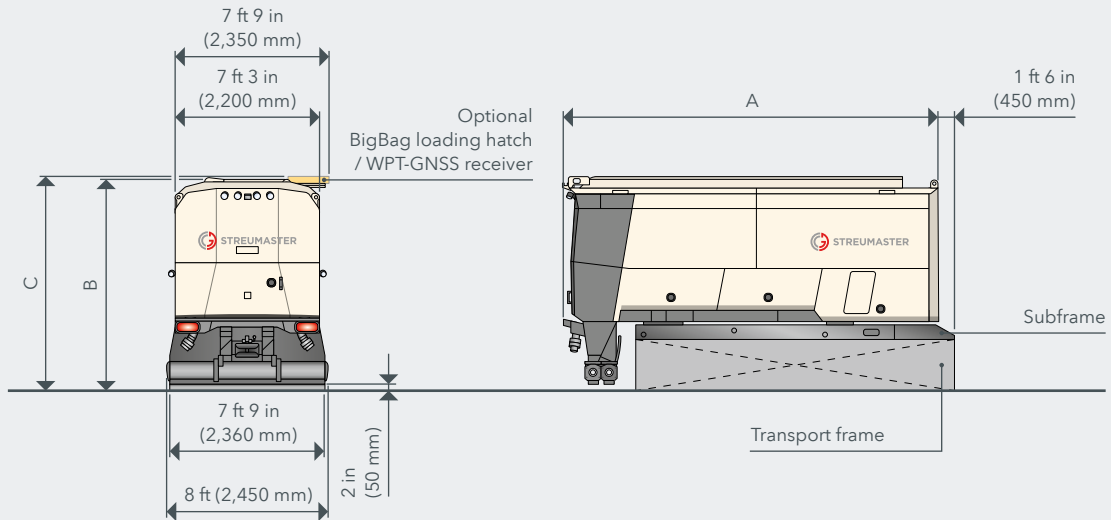
REAR VIEW / SIDE VIEW SW 418 MC / SW 422 MC



	A	B
SW 418 MC	11 ft 4 in (3,450 mm)*	12 ft 2 in (3,700 mm)*
SW 422 MC	11 ft 1 in (3,390 mm)*	11 ft 11 in (3,640 mm)*

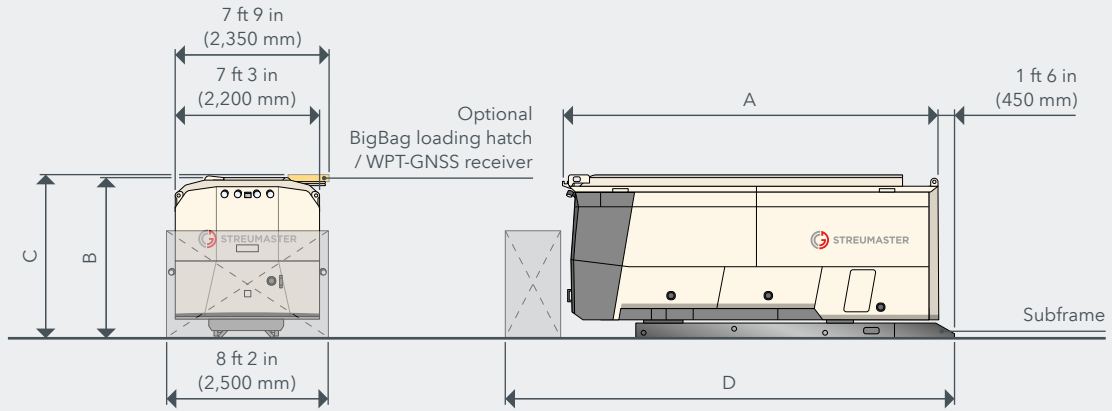
* Dimensions based on STREUMASTER standard MAN chassis.

MACHINE TRANSPORT SW 318 MC / SW 418 MC / SW 422 MC /
WITH MOUNTED SPREADING UNIT



	A	B	C
SW 318 MC	19 ft 3 in (5,880 mm)	10 ft 6 in (3,210 mm)	10 ft 9 in (3,265 mm)
SW 418 MC	22 ft 7 in (6,880 mm)	9 ft 9 in (2,960 mm)	9 ft 11 in (3,015 mm)
SW 422 MC	22 ft 7 in (6,880 mm)	10 ft 6 in (3,210 mm)	10 ft 9 in (3,265 mm)

MACHINE TRANSPORT SW 318 MC / SW 418 MC / SW 422 MC
 WITHOUT MOUNTED SPREADING UNIT
 (CAN BE LOADED INTO A 40-FOOT HIGH-CUBE SHIPPING CONTAINER)



	A	B	C	D
SW 318 MC	19 ft 1 in (5,820 mm)	8 ft 1 in (2,460 mm)	8 ft 3 in (2,510 mm)	23 ft 1 in (7,040 mm)
SW 418 MC	22 ft 4 in (6,820 mm)	7 ft 3 in (2,210 mm)	7 ft 5 in (2,265 mm)	26 ft 4 in (8,040 mm)
SW 422 MC	22 ft 4 in (6,820 mm)	8 ft 1 in (2,460 mm)	8 ft 3 in (2,510 mm)	26 ft 4 in (8,040 mm)

STANDARD EQUIPMENT	SW 318 MC	SW 418 MC	SW 422 MC
Container / Chassis			
> High-performance binding agent spreader for soil stabilization and cold recycling mounted on a 3-axle carrier vehicle	■	—	—
> High-performance binding agent spreader for soil stabilization and cold recycling mounted on a 4-axle carrier vehicle	—	■	■
> Container with a capacity of 636 ft ³ (18 m ³), including gate valve at the rear binding agent outlet	■	■	—
> Container with a capacity of 777 ft ³ (22 m ³), including gate valve at the rear binding agent outlet	—	—	■
> Double-sided pneumatic high-speed filling device in size R4" with connection coupling and stone screen	■	■	■
> Exhaust pipe for container ventilation and overpressure flap integrated in the container	■	■	■
> Sensor-controlled chain conveyor made of drop-forged chain links and transport strips, 2 ft 11 in (900 mm) wide conveyor tunnel, OptiPower chain drive system with automatic load control	■	■	■
> Two cross augers for transferring the spreading material to the metering sluices	■	■	■
> Lockable basic storage compartment at the front left in the direction of travel	■	■	■
> Auxiliary frame produced especially for the particular carrier vehicle	■	■	■
> Binding agent spreader without carrier vehicle	□	□	□

STANDARD EQUIPMENT	SW 318 MC	SW 418 MC	SW 422 MC
Drive System / Control System / On-Board Computer			
> Container level indicator at the rear of the machine for "almost full" and "full" by means of a signal tone and optical warning lamp	■	■	■
> Innovative machine control for monitoring and controlling the binding agent spreader. It enables precise spreading of the preselected spread rate in lbs/yd ² (kg/m ²), regardless of the travel speed. The binding agent spreader is operated via a control terminal with 12" touch screen color display mounted in the operator's cabin.	■	■	■
> The closed on-board hydraulic system is driven via the truck's power take-off, including integrated hydraulic oil cooling	■	■	■
> The hydraulic and electrical systems are protected behind lockable doors	■	■	■
> Drive via truck power take-off	□	□	□
Spreading Unit			
> Volumetric spread rate metering, fully automatic and independent of travel speed	■	■	■
> Universal spreading mechanism DN 230-10, spreading width 7 ft 9 in (2.36 m)	□	□	□
Miscellaneous			
> Collecting trough and suspended weigher for checking the weights	■	■	■
> Technical documentation in printed and digital form	■	■	■
> Standard painting in RAL 9001 (cream)	□	□	□
> Standard warranty	□	□	□
> Mounting on carrier vehicle by customer	□	□	□
> WITOS FleetView	□	□	□
> Prefit for WIRTGEN PERFORMANCE TRACKER WPT	□	□	□

- = Standard equipment
- = Standard equipment, can be replaced with optional equipment if required
- = Optional equipment

OPTIONAL EQUIPMENT	SW 318 MC	SW 418 MC	SW 422 MC
Container / Chassis			
> Carrier vehicle - MAN TGS 33.480 6x6 Euro 6	<input type="checkbox"/>	-	-
> Carrier vehicle - MAN TGS 33.520 6x6 Euro 6 with ZF-Intarder	<input type="checkbox"/>	-	-
> Carrier vehicle - MAN TGS 41.520 8x8 Euro 6	-	<input type="checkbox"/>	<input type="checkbox"/>
> Standard-tired 3-axle MAN truck	<input type="checkbox"/>	-	-
> Conversion to off-road single tyres Michelin	<input type="checkbox"/>	-	-
Drive System / Control System / On-Board Computer			
> Parameterization of the truck cruise control	<input type="checkbox"/>	<input type="checkbox"/>	<input type="checkbox"/>
> Add-on diesel engine, 55 kW - non-labeled	<input type="checkbox"/>	<input type="checkbox"/>	<input type="checkbox"/>
> Auxiliary diesel engine 55 kW - exhaust emissions category US EPA Tier 4f / EU Stage 5	<input type="checkbox"/>	<input type="checkbox"/>	<input type="checkbox"/>
> Active weighing device WeighTronic	<input type="checkbox"/>	<input type="checkbox"/>	<input type="checkbox"/>
> Display showing the weight of the filling quantity	<input type="checkbox"/>	<input type="checkbox"/>	<input type="checkbox"/>
Spreading Unit			
> Minimum quantity spreading mechanism DN 230-20, spreading width 7 ft 9 in (2.36 m)	<input type="checkbox"/>	<input type="checkbox"/>	<input type="checkbox"/>
> High-performance spreading mechanism DN 410-17, spreading width 7 ft 9 in (2.36 m)	<input type="checkbox"/>	<input type="checkbox"/>	<input type="checkbox"/>

OPTIONAL EQUIPMENT	SW 318 MC	SW 418 MC	SW 422 MC
Miscellaneous			
> Painting in one special color (RAL)	<input type="checkbox"/>	<input type="checkbox"/>	<input type="checkbox"/>
> Special warranty on request	<input type="checkbox"/>	<input type="checkbox"/>	<input type="checkbox"/>
> German Technical Inspection Agency (TÜV) approval	<input type="checkbox"/>	<input type="checkbox"/>	<input type="checkbox"/>
> Installation in the factory on Streumaster MAN new vehicle	<input type="checkbox"/>	<input type="checkbox"/>	<input type="checkbox"/>
> Installation in the factory on customer vehicle, new	<input type="checkbox"/>	<input type="checkbox"/>	<input type="checkbox"/>
> Installation in the factory on customer vehicle, used	<input type="checkbox"/>	<input type="checkbox"/>	<input type="checkbox"/>
> Installation by Streumaster at the customer's	<input type="checkbox"/>	<input type="checkbox"/>	<input type="checkbox"/>
> Hose filter for filling device	<input type="checkbox"/>	<input type="checkbox"/>	<input type="checkbox"/>
> Dust separation filter for filling device	<input type="checkbox"/>	<input type="checkbox"/>	<input type="checkbox"/>
> Version without WITOS telematics solution	<input type="checkbox"/>	<input type="checkbox"/>	<input type="checkbox"/>
> Version without prefit for WIRTGEN PERFORMANCE TRACKER WPT	<input type="checkbox"/>	<input type="checkbox"/>	<input type="checkbox"/>
> Printer for recording the job data	<input type="checkbox"/>	<input type="checkbox"/>	<input type="checkbox"/>
> High performance compressor M111H	<input type="checkbox"/>	<input type="checkbox"/>	<input type="checkbox"/>
> WIRTGEN PERFORMANCE TRACKER WPT	<input type="checkbox"/>	<input type="checkbox"/>	<input type="checkbox"/>
> High pressure cleaner	<input type="checkbox"/>	<input type="checkbox"/>	<input type="checkbox"/>
> Camera system for rear working area	<input type="checkbox"/>	<input type="checkbox"/>	<input type="checkbox"/>
> 6 LED working lights	<input type="checkbox"/>	<input type="checkbox"/>	<input type="checkbox"/>
> Loading hatch for BigBag filling	<input type="checkbox"/>	<input type="checkbox"/>	<input type="checkbox"/>
> Towing device at the rear of the machine	<input type="checkbox"/>	<input type="checkbox"/>	<input type="checkbox"/>
> Individual spreading quantity regulation for each partial width DSR	<input type="checkbox"/>	<input type="checkbox"/>	<input type="checkbox"/>
> Rear mudguards for 3-axle and 4-axle trucks	<input type="checkbox"/>	<input type="checkbox"/>	<input type="checkbox"/>
> Mudguards for 4-axle truck - second front axle	—	<input type="checkbox"/>	<input type="checkbox"/>
> Underride protection for trucks on both sides	<input type="checkbox"/>	<input type="checkbox"/>	<input type="checkbox"/>
> Additional side storage compartments	<input type="checkbox"/>	<input type="checkbox"/>	<input type="checkbox"/>
> Central lubrication system for binding agent spreader	<input type="checkbox"/>	<input type="checkbox"/>	<input type="checkbox"/>
> Truck frame extension for DN230 spreading unit	<input type="checkbox"/>	<input type="checkbox"/>	<input type="checkbox"/>
> Truck frame extension for DN410-17 spreading unit	<input type="checkbox"/>	<input type="checkbox"/>	<input type="checkbox"/>
> Trailer hitch Rockinger drawbar eye 1.6 in (40 mm)	<input type="checkbox"/>	<input type="checkbox"/>	<input type="checkbox"/>
> Trailer hitch Rockinger drawbar eye 2 in (50 mm)	<input type="checkbox"/>	<input type="checkbox"/>	<input type="checkbox"/>
> Hydraulic connections for low-loader drive-up ramps	<input type="checkbox"/>	<input type="checkbox"/>	<input type="checkbox"/>

- = Standard equipment
 = Standard equipment, can be replaced with optional equipment if required
 = Optional equipment





**WIRTGEN AMERICA Inc.**

6030 Dana Way
Antioch, TN 37013
USA

P: (615) 501-0600

F: (615) 501-0691

 www.wirtgen-group.com/america



For further information, please scan the code.