

Innovation and Sustainability for a Wide Range of Milling Jobs

COLD MILLING MACHINES

W 100 F | W 120 F | W 130 F



INNOVATION AND SUSTAINABILITY FOR A WIDE RANGE OF MILLING JOBS

The front loader in the one-meter class is characterized by its outstanding performance and flexibility at working widths of 1.0 m, 1.2 m or 1.3 m.

Compact dimensions and optimized machine weight make it ideal for a wide range of applications – also on sites with limited space, such as in city centers.

The variety of tool spacings and working widths offered by FCS milling drums further expands the range of possible applications.

The cutting-edge **LEVEL PRO ACTIVE** leveling system, the intuitive operating concept, and additional digital assistance systems enable efficient handling and precise milling results with only one operator.

The innovative **MILL ASSIST** machine control system ideally combines sustainable and efficient machine operation with high productivity.



WIRTGEN COLD MILLING MACHINES

SMALL MILLING MACHINES

- > Milling width up to 1,300 mm
- > Milling depth to 300 mm

COMPACT MILLING MACHINES

- > Milling width up to 1,900 mm
- > Milling depth to 330 mm

LARGE MILLING MACHINES

- > Milling width up to 4,400 mm
- > Milling depth to 350 mm



OVERVIEW OF HIGHLIGHTS

Perfectly Equipped

COMFORT AND VISION

01 Unrivaled all-round vision concept

- > High-quality camera / monitor system with two or five cameras *)
- > Operator's cabin with lateral shift function for optimal vision along the zero side
- > Powerful complete LED lighting package

02 Perfect comfort and ergonomics

- > Operator's cabin design with perfect ergonomics for a high level of comfort and well-being
- > The large 5-inch control screen in the multifunctional armrest displays essential information
- > Ergonomic access with automatic height adaptation *)
- > External control panel with frequently used machine functions *)
- > Ample storage space
- > Smart vandalism protection concept for control units



ASSISTANCE AND LEVELING SYSTEMS

03 Precise leveling with LEVEL PRO ACTIVE

- > Innovative **LEVEL PRO ACTIVE** leveling system
- > Optimized multiplex system
- > Optimized 3D and laser leveling
- > Leveling boom with Sonic Ski sensor on one or both sides
- > Active cross-leveling via front lifting columns

04 Intuitive assistance systems

- > **MILL ASSIST** automatic mode with additional pre-selection of operating strategy
- > Overload sensor for automatic scraper lifting
- > Active Float for temporary lifting of side plates if required *)
- > Automatic front pendulum stroke control
- > **ACTIVE CONVEYOR**
- > Active Lift Up
- > Active Transport Control

*) Feature / option available only in conjunction with the premium operator's cabin

MILLING AND LOADING

05 Superior cutting technology boosts performance

- > Extremely hard-wearing HT22 quick-change toolholder system with field-proven HT22 PLUS upper part
- > Optimized side plate control at right by two hydraulic cylinders
- > New material scraper for optimal milling without full or partial loading of material
- > Program for protection of edge rings when milling in bends
- > Quick pick changing

06 Maximum loading capacity

- > Extremely large conveyor slewing angle of 65° to the left and right
- > Higher belt cleat profile for increased conveyor capacity
- > "Booster" function for temporarily increased discharge trajectory

PERFORMANCE AND SERVICE

07 Performance meets efficiency

- > Rugged and powerful diesel engine with high maximum torque
- > Extended milling drum rotation speed range for a wide range of cost-efficient milling applications
- > Wide-opening hydraulic engine cowling for easy maintenance
- > Rugged electrics concept with CAN bus reserve circuits



DRIVING AND STEERING

08 Fast and dynamic maneuvering

- > ISC - intelligent speed control for minimal track slip
- > Fast machine height adjustment
- > Dynamic maneuvering at travel speeds of up to 7.5 km/h
- > Easily mountable 400 kg ballast weight

ENVIRONMENT AND SUSTAINABILITY

09 Minimal environmental impact for the future

- > Dynamic engine control assistant for low CO₂ emissions
- > Two-part water spray bar with performance-dependent injection for minimal water consumption^{*)}
- > Fuel-saving, low-noise dual fan concept
- > Efficiency-optimized VCS extraction system

EXCLUSIVE OPERATOR'S CABIN FOR HIGH PERFORMANCE

A Stress-Free Workplace

Perfectly designed operator's cabin

Everything at Your Fingertips

Ergonomic multifunctional armrest





01 Ergonomic and comfortable standard operator's cabin.

02 Premium operator's cabin features incl. 7" universal display, comfort seat and numerous effective operating functions in the armrest.

03 5" control screen with clearly arranged, informative displays.



High-quality camera system with two or five cameras

With two cameras, the standard 7" control panel displays a high-resolution view of the loading situation and the area in front of the left side plate. With five cameras, the additional 10" control panel shows the area behind the machine, the loading situation, the area in front of the left side plate, the front left track unit, and the left side of the machine.

Operator's cabin with lateral shift function for optimal vision along the zero side

The operator's cabin can be hydraulically moved outwards by nearly 200 mm to provide an optimal view of the milling drum unit and the front right-hand track unit.

Powerful complete LED lighting package

The compact milling machine has particularly powerful LED working lights all around the machine, lighting for the operator's cabin, illuminated control panels, and "welcome and go home" lighting for convenient access.

Cabin design with perfect ergonomics for a high level of operator comfort and well-being

The completely redesigned operator's cabin impresses with outstanding comfort, ergonomically designed controls, high-quality haptics, and modern design. All in all, this significantly increases the operator's comfort and efficiency.

Large, 5-inch, control screen in the multifunctional armrest displays essential information

In addition to the milling depth on the right and left, a wealth of important information such as machine load conditions, temperatures, hydraulic pressures, diesel and water fill levels, and status and diagnostic messages are clearly displayed in color on the 5" control screen in the armrest.

Ergonomic access with automatic height adaptation

The ergonomically designed access ladder at the rear of the machine features automatic height control for effortless access to the operator's cabin in any working situation with sufficient ground clearance.

External control panel with frequently used machine functions

Thanks to an additional external control panel, ground crews can effortlessly perform practical operating functions such as engine start/stop, water test, scraper up/down, or machine height adjustment.

Ample storage space

The compact milling machine offers plenty of storage space for leveling sensors, pick ejectors and pick boxes. The storage compartments offer space for up to nine pick boxes in total.

Smart vandalism protection concept for control units

Thanks to the innovative vandalism protection system, both linearly arranged displays can be vertically shifted for reliable protection against theft and destruction. The main control panel can be simply closed up and locked.

PRECISION LEVELING WITH LEVEL PRO ACTIVE



A 5" leveling display for standard operator's cabin

B 7" universal display for premium operator's cabin

Innovative LEVEL PRO ACTIVE leveling system

The high-precision **LEVEL PRO ACTIVE** leveling system specially developed for cold milling machines features an informative 7" control panel that is not only intuitive and easy to operate, but also offers numerous automatic and additional functions that make the operator's job easier. For example, the entire machine can be raised automatically to drive over a manhole cover and then lowered back to the starting position.

Optimized multiplex system

The user-friendly multiplex system is easy to mount to the machine. It consists of a two additional ultrasonic sensors per machine side mounted on flexibly adjustable brackets. Benefits of the system include its low weight and wide adjustment range for a variety of leveling applications.

Optimized 3D and laser leveling

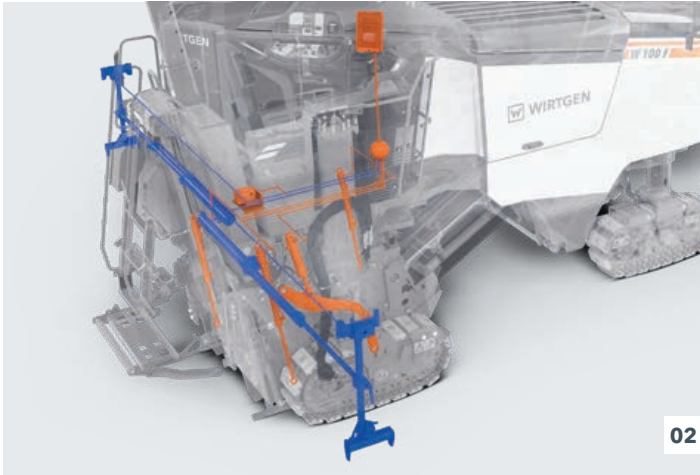
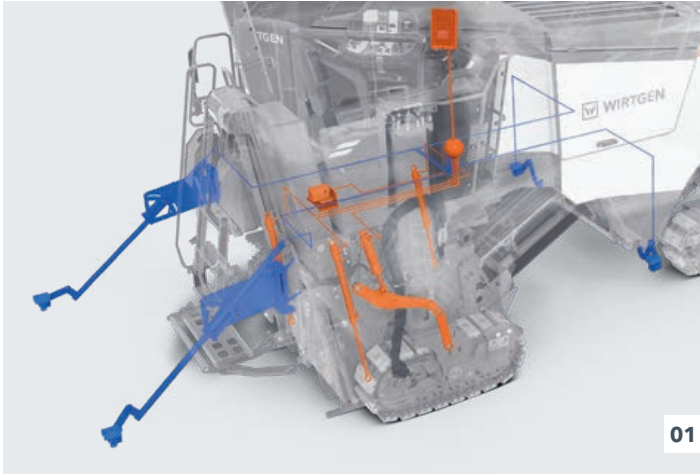
The drastically simplified method of installing the pole-mounted laser sensor makes it easier to use 3D systems.

Leveling boom with Sonic Ski sensor on one or both sides

The leveling booms with Sonic-Ski sensor make the contactless scanning of a line or a reference surface next to the milled edge on both sides possible. In this context, the boom with the Sonic-Ski sensor can be hydraulically shifted outward by up to 840 mm from the operator's cabin in milling mode. A mechanical adjustment offers an additional 880 mm of telescopic travel.

Active cross-leveling via front lifting columns

Displacement sensors in the two front lifting columns determine the difference in height between the two track units at the front and then always automatically align the machine parallel to the ground surface. Depending on the application, cross-leveling can, for example, be used instead of side plate leveling.



- 01** Multiplex system with up to four additional ultrasonic sensors
 - 02** 3D leveling / laser leveling
 - 03** Telescoping leveling boom on the right or left
 - 04** Detection of the difference in height between the front lifting columns
-
- = Standard equipment
 - = Optional equipment

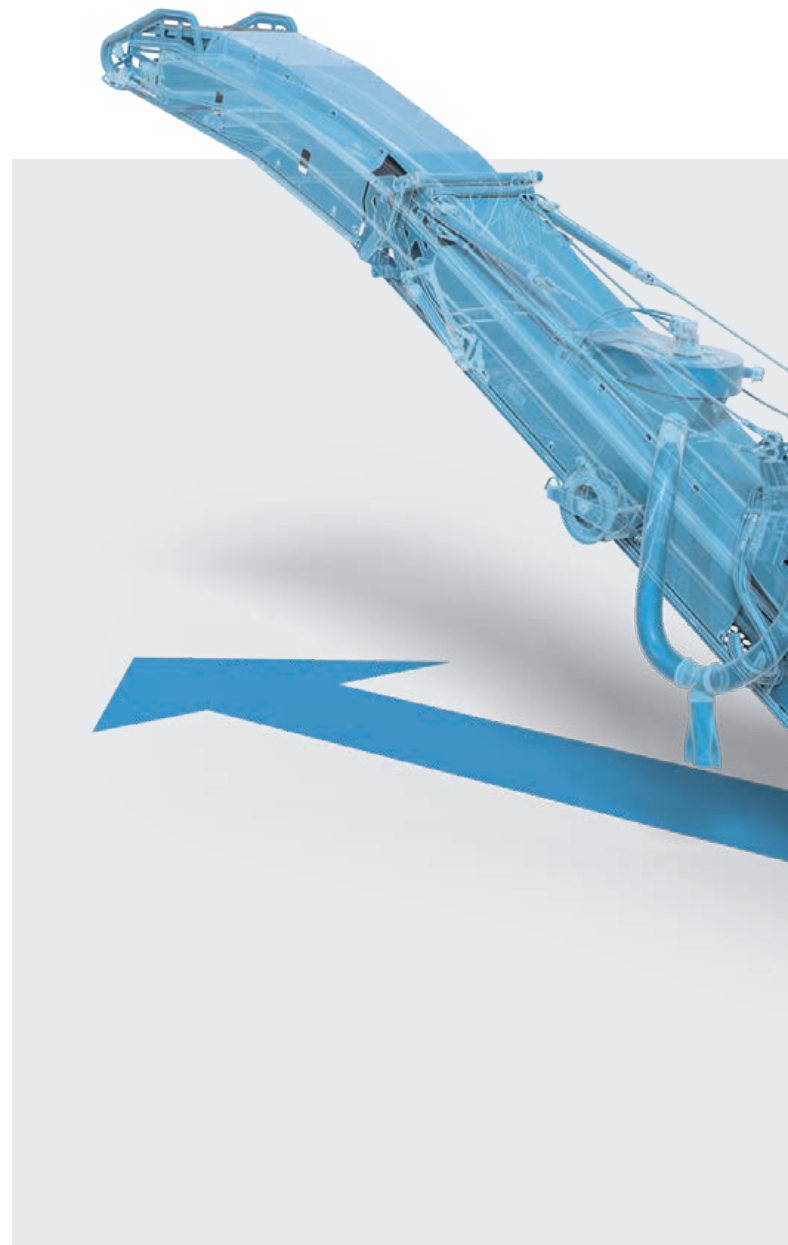
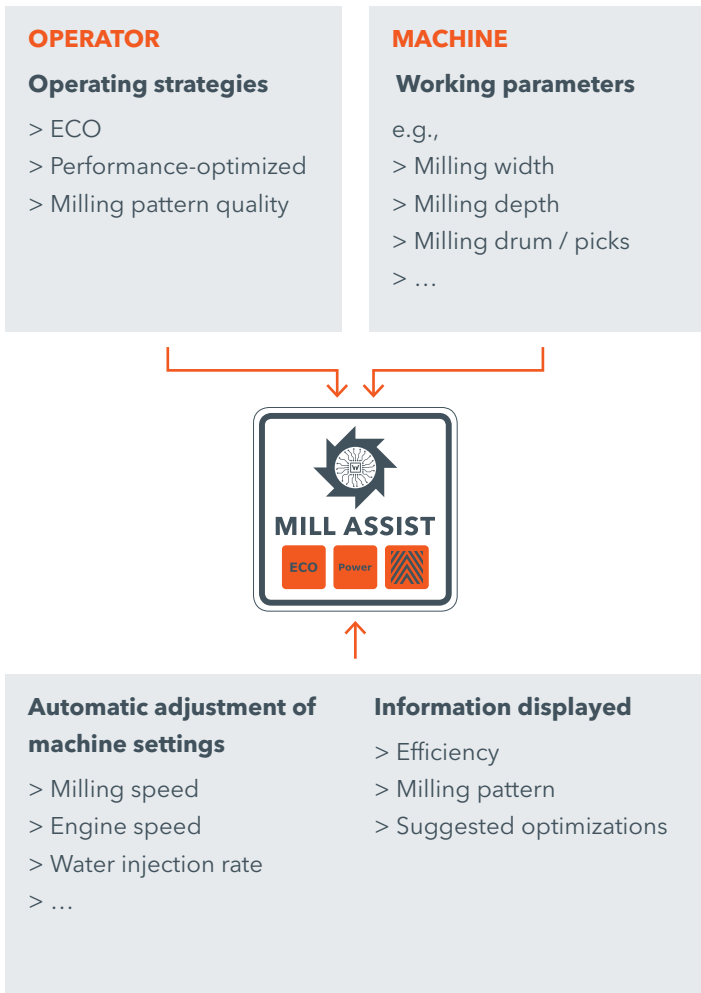
INNOVATIVE MILL ASSIST

Efficient Machine Control

MILL ASSIST automatic mode with additional pre-selection of operating strategy

In automatic mode, the innovative **MILL ASSIST** machine control system always selects the operating strategy with the best balance between performance and costs. In doing so, the process optimization automatically adjusts the speed of the diesel engine and milling drum, the travel drive, the water system, and the machine's advance speed. This significantly reduces the operator's workload while improving machine performance and considerably reducing diesel consumption, CO₂ emissions, and noise.

The operator can also pre-select one of three working strategies: "ECO," "performance-optimized," or "milling pattern quality." The machine then automatically adjusts the main parameters based on the selected operating strategy and displays suggested optimizations, if necessary. The operator can preset the required milling pattern quality by pre-selecting from a scale ranging from 1 to 10. This then automatically sets the milling drum rotation speed and the milling speed, taking the milling drum type into account.



Overload sensor for automatic scraper lifting

Overload sensors protect the milling drum unit from damage by triggering brief lifting of the scraper, e.g., to avoid obstacles or uneven ground.

Active Float for temporary lifting of side plates if required

If necessary, the right and left side plates are briefly raised automatically to prevent them from sinking into soft ground.

Automatic front pendulum stroke control

The automatic height adjustment of the two front lifting columns controls the pendulum stroke so that the track units always maintain sufficient ground contact and traction, even on uneven terrain.

ACTIVE CONVEYOR

When repositioning the discharge conveyor in difficult job site situations, the semi-automatic **ACTIVE CONVEYOR** slewing angle control system assists the operator in the best possible way - such as when milling in intersections or bypassing road installations.

Active Lift Up

This automatic function avoids unevenness in the milling surface when the machine is idle by raising the milling drum.

Active Transport Control

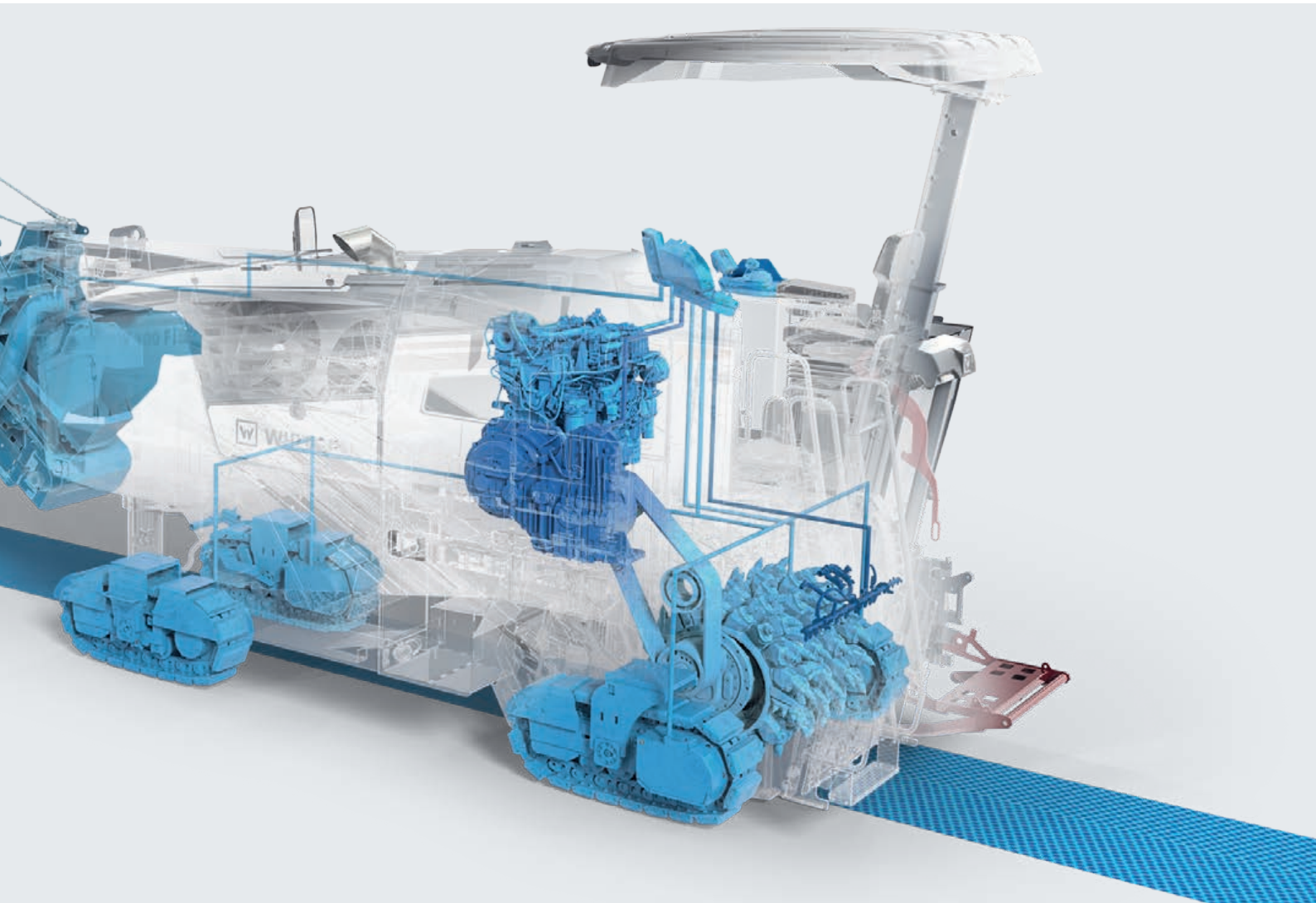
This automatic function conveniently aligns the cold milling machine horizontally when moving it at traveling speed. In addition, it automatically switches off the water supply and conveyor operation.

MILL ASSIST

Automatic efficient milling

Three Strategy Presets

Optimal machine adjustment

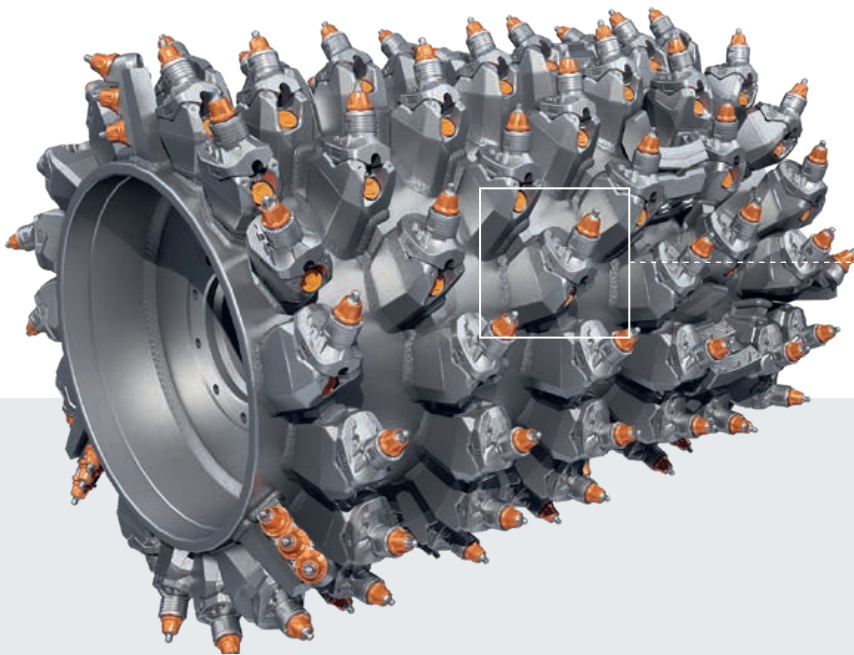


SUPERIOR CUTTING TECHNOLOGY

Extremely hard-wearing HT22 quick-change toolholder system with field-proven HT22 PLUS upper part

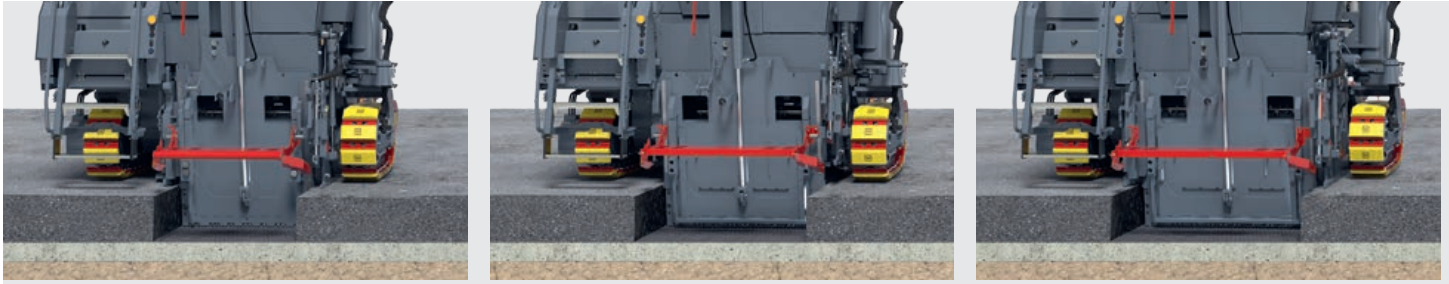
Compact milling machines equipped with milling drums with the HT22 quick-change toolholder system are the ideal choice for extremely challenging milling tasks. In addition, the rugged construction of the milling drum enables fast on-site replacement of the upper parts of quick-change toolholders whenever required.

The new **HT22 PLUS** quick-change toolholder upper part features innovative centering marks on the tool contact surface. In combination with the new X² generation of round-shank picks, this reduces toolholder wear by up to 25%. In addition, the rotation behavior of the round shaft pick has been optimized. The new upper part offers considerable benefits such as higher milled surface quality and longer intervals between changes.



More flexible milling
New material scraper

Turning corners
Program for protection of edge rings



W 100 F
with 1.0 m milling drum unit

W 120 F
with 1.2 m milling drum unit

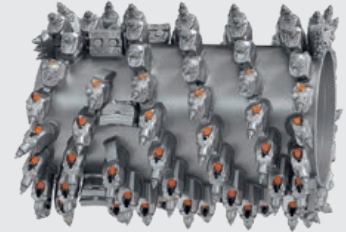
W 130 F
with 1.3 m milling drum unit



Standard milling drum
Milling width: 1,000 mm
Milling depth: 0 - 330 mm
Tool spacing: 15 mm



Standard milling drum
Milling width: 1,200 mm
Milling depth: 0 - 330 mm
Tool spacing: 15 mm



Standard milling drum
Milling width: 1,300 mm
Milling depth: 0 - 330 mm
Tool spacing: 15 mm

02

Optimized side plate control at right by two hydraulic cylinders

Two hydraulic cylinders are responsible for robust side plate guidance without jamming, ensuring precise leveling. The contact pressure is set from the operator's cabin.

New material scraper for optimal milling without full or partial material loading

The flexible material scraper at the rear replaces the usual safety bar and ensures that the deposited material features a uniform profile when milling without loading or partial loading. In addition, the folding design of the material scraper allows the machine to be reversed close and accurately to obstacles.

Program for protection of edge rings when milling in bends

The automatic function increases the milling drum speed when milling in bends, thus reducing material wear on the edge ring segments that are subjected to higher stress in curves.

Quick pick changing

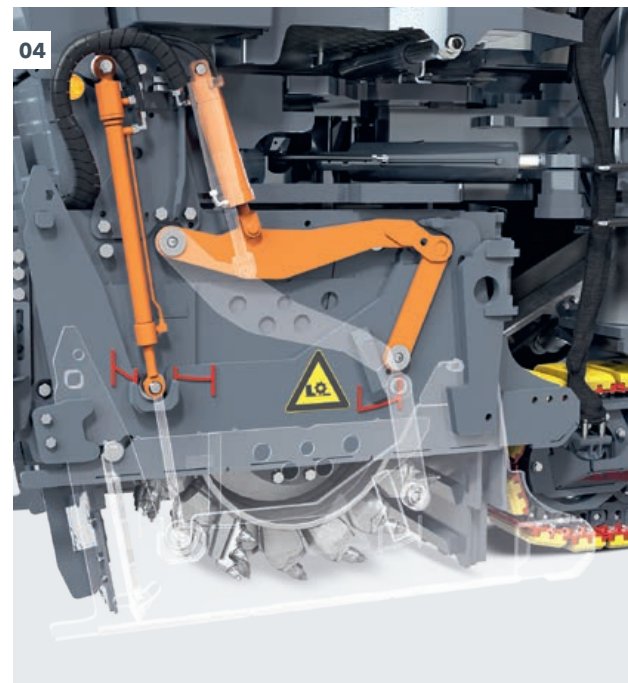
The hydraulically operated milling drum rotation device and pick ejector make it easier to change picks - even when the engine is switched off.

01 Extremely wear-resistant HT22 quick-change toolholder system.

02 1.0 m, 1.2 m, and 1.3 m milling drum units.

03 Flexible material scraper at the rear of the machine.

04 Two hydraulic cylinders on the right side plate.



MAXIMUM LOADING CAPACITY

Extremely large conveyor slewing angle of 65° to the left and right

Large conveyor slewing angles of 65° to both sides make it possible to load material even in difficult situations, e.g. in intersections or turning areas.

Higher belt cleat profile for increased conveyor capacity

The large belt width and the belt cleat profile increased by 100% increase the loading capacity and thus the efficiency of the entire milling process.

"Booster" function for temporarily increased discharge trajectory

Pressing the "Booster" button on the main control panel briefly increases the belt speed and conveying capacity of the discharge conveyor by 20% in order to temporarily transport the milled material particularly high or far when loading a dump truck.



01 Discharge conveyor with extremely large slewing range.

Flexible Loading

Large slewing angle

Fast Offloading of Milled Material

New "booster" function

PERFORMANCE MEETS EFFICIENCY

Rugged and powerful diesel engine with high maximum torque

The state-of-the-art Cummins QSL 8.9 diesel engine delivers high engine power output with high maximum torque. This guarantees rapid, productive operations, even at the maximum milling depth. At the same time, the engine technology meets the requirements of EU Stage IIIa / US EPA Tier 3 emission standards.

Extended milling drum rotation speed range for a wide range of cost-efficient milling applications

Thanks to the intelligent engine control unit in conjunction with **MILL ASSIST**, the compact milling machine offers an extremely wide usable milling drum speed range. The new lower engine speed range is particularly effective in achieving significant diesel savings and tremendous milling performance in numerous applications.

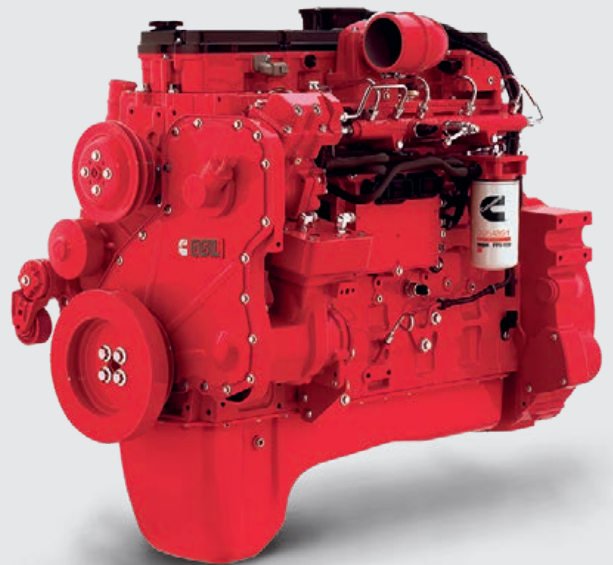
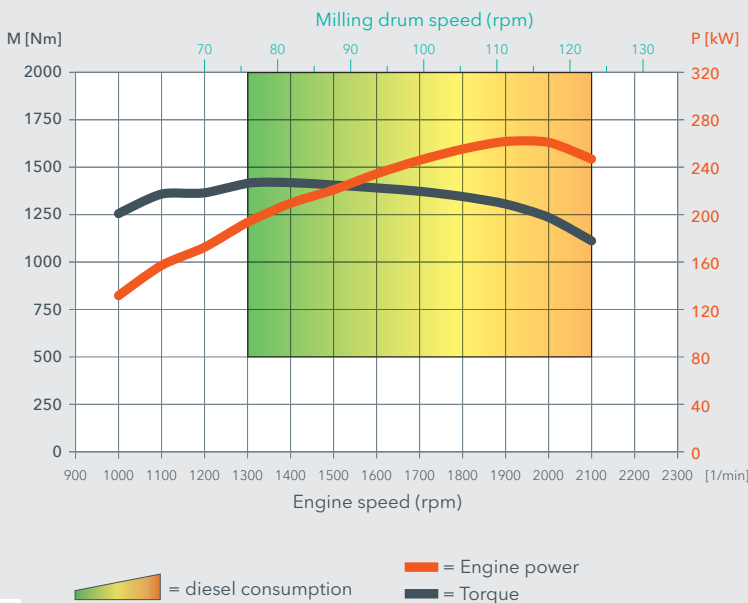
Wide-opening hydraulic engine cowling for easy maintenance

The engine cover can be hydraulically opened wide by almost 90° at the push of a button, providing easy access to the maintenance components in the engine compartment.

Rugged electrics concept with CAN bus reserve circuits

If the need arises, the CAN bus can be flexibly reconnected via backup circuits. The main control elements are equipped with two-channel signal transmission, meaning that they can still be used if one signal fails. Information about a signal failure is also displayed to the operator.

Engine Characteristics: W 100 F, W 120 F and W 130 F Cold Milling Machines



01

02

01 The Cummins engine is characterized by low diesel fuel consumption and low noise emissions. **02** When equipped with the MILL ASSIST milling application control system, the compact milling machine offers an extremely wide milling drum speed range to dramatically reduce diesel consumption, carbon emissions, and pick wear.

FAST AND DYNAMIC MANEUVERING

ISC - intelligent speed control for minimal track slip

The intelligent ISC (Intelligent Speed Control) system delivers optimum, even traction - electronic traction control prevents individual track units from slipping as far as possible, even under difficult conditions. In addition, ISC keeps the machine's advance rate in the ideal engine utilization range and electronically matches the curve speed of the inner and outer track units to each other. This minimizes track pad wear.

Fast machine height adjustment

The new machine height adjustment system not only functions

with extreme precision for high-quality milling results, but also enables fast stroke movements for rapid positioning and lifting.

Dynamic maneuvering at travel speeds of up to 7.5 km/h

The machine's maximum speed of 7.5 km/h ensures that jobs are completed particularly quickly.



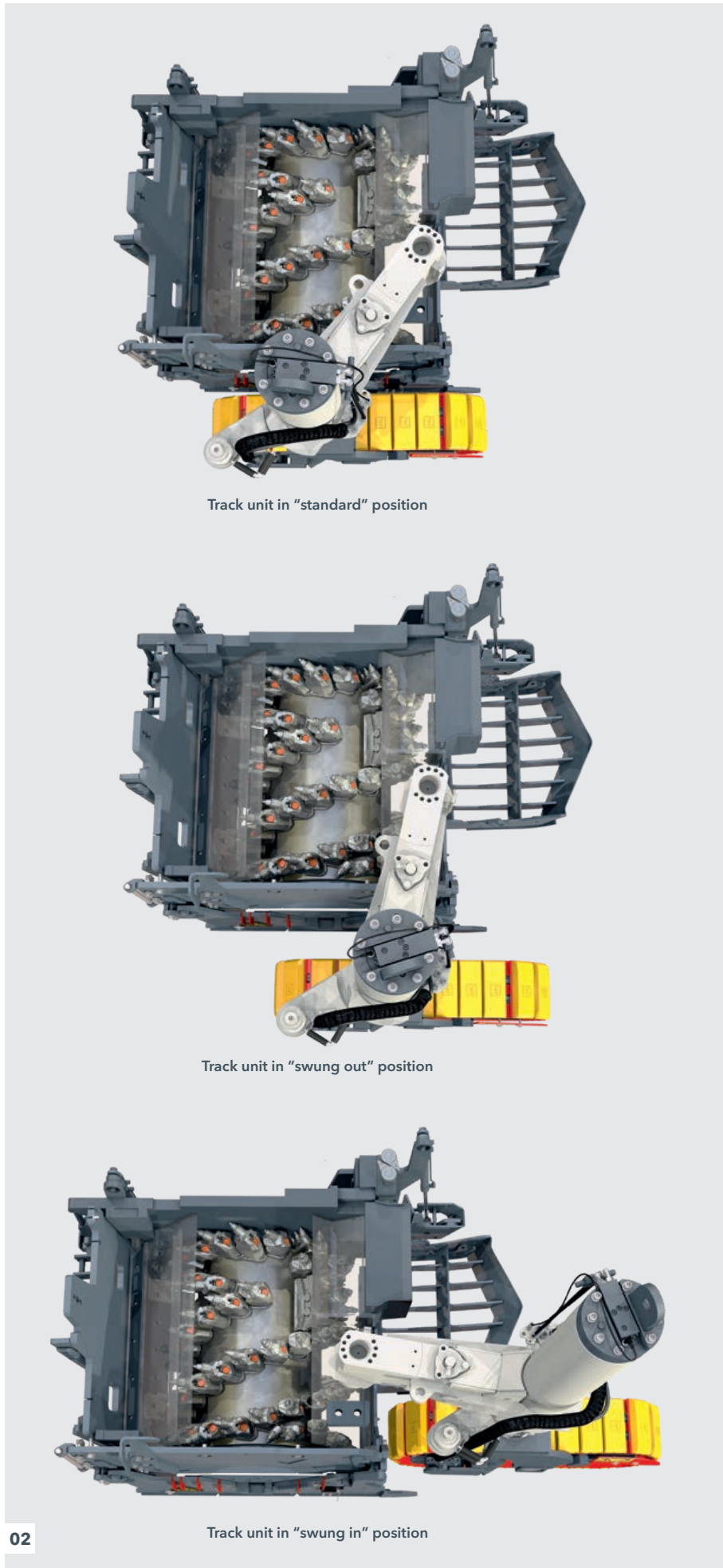
Constant Power
Intelligent travel drive

High Travel Speed
Fast relocation to the next job

- 01 The compact milling machine impresses with minimal milling radii.
- 02 The rear track unit on the right side has three fixed positions. In the "swung out" position, the entire rear right-hand track unit is positioned within the cutting circle of the previously milled pass. This makes it easy to begin milling the next working pass with zero offset.

Easily mountable 400 kg ballast weight

The low net weight of the compact milling machine in combination with the easily mountable 400 kg ballast weight at the rear of the machine makes a high operating weight, ideal traction, and smooth and easy transport possible, depending on the requirements.



Track unit in "standard" position

Track unit in "swung out" position

Track unit in "swung in" position

MINIMAL ENVIRONMENTAL IMPACT FOR THE FUTURE

Dynamic engine control assistant for low CO₂ emissions

In combination with MILL ASSIST, the efficient diesel engine, and the wide milling drum speed range, the intelligent engine control system assures minimal CO₂ emissions.

Two-part water spray bar with performance-dependent injection for minimal water consumption

Two separate water spray bar segments that can be activated electrically from the operator's cabin allow the optimum amount of water to be added to the milling process, such as when milling only half the width of a lane. Automatically switching the water system on and off as well as reducing the amount of water used depending on the milling speed not only cuts water consumption by up to 20%, but also reduces machine downtimes during operation.

Fuel-saving, low-noise dual fan concept

Two speed-controlled and intelligently positioned fans cool the diesel engine and hydraulic system as required. As a result, the cooling system also helps efficiently reduce diesel consumption and noise.

Efficiency-optimized VCS extraction system

The well-sealed VCS extractor system ensures better air quality and vision in the machine operator's and ground crew's working area. In addition, the easily accessible VCS suction channel makes cleaning the system easier.

Environmental Focus

Lower CO₂ emissions

Fuel Miser

Intelligently controlled



The front loader in the one-meter class is characterized by its outstanding performance and flexibility at working widths of 1.0 m, 1.2 m or 1.3 m. Compact dimensions and optimized machine weight make it ideal for a wide range of applications - including on job sites with limited space, such as in urban areas. Switching FCS milling drums with different tool spacings and different working widths allows the milling machine to be used for a wide range of additional applications.



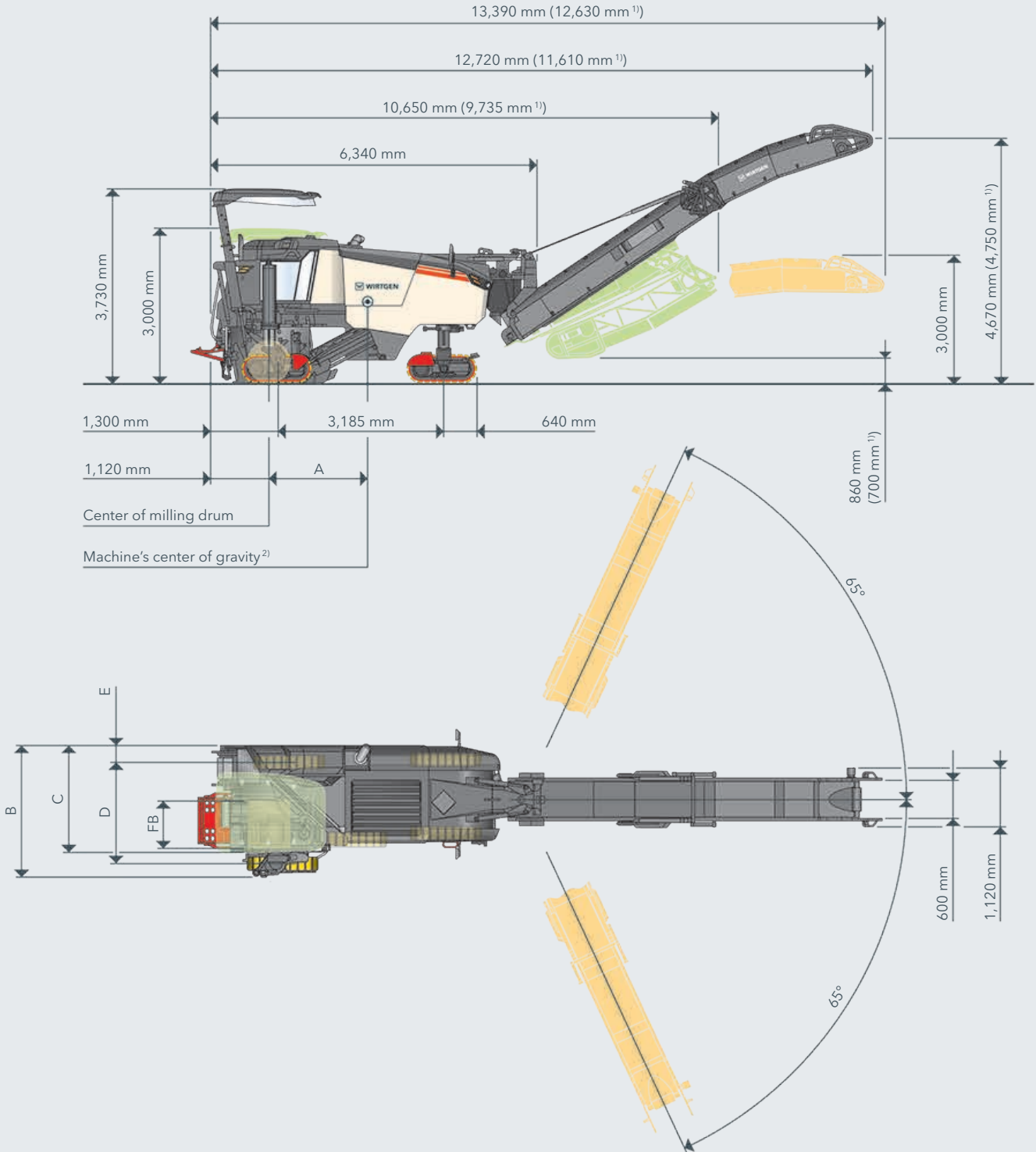
TECHNICAL SPECIFICATIONS	W 100 F	W 120 F	W 130 F
Milling Drum			
Milling width	1,000 mm	1,200 mm	1,300 mm
Milling depth ¹⁾	0 - 330 mm		
Cutting diameter	980 mm		
Engine			
Manufacturer	Cummins Inc.		
Type	QSL 8.9 C-330		
Cooling	Water		
Number of cylinders	6		
Rated power at 2,100 rpm	246 kW / 330 hp / 334 PS		
Maximum power at 1,900 rpm	261 kW / 350 hp / 355 PS		
Displacement	8.9 l		
Fuel consumption at rated power mixed on-site operations	69 l/h 27.6 l/h		
Engine sound power level as per EN 500-2 operator's platform	≤ 107 dB(A) ≥ 90 dB(A)		
Emissions standard	EU Stage 3a / US EPA Tier 3		
Electrical System			
Power supply	24 V		
Tank Capacities			
Fuel	610 l		
Hydraulic oil	115 l		
Water	1,400 l	1,600 l	1,600 l
Driving Performance			
Max. milling speed	0 - 60 m/min (0 - 3.6 km/h)		
Max. speed on wheels	0 - 125 m/min (0 - 7.5 km/h)		
Max. speed on tracks	0 - 125 m/min (0 - 7.5 km/h)		
Track Units			
Tire size, front / rear (D x W)	660 x 280 mm		
Track chains front / back (L x W x H)	1360 x 260 x 584 mm		
Loading of Milled Material			
Belt width of primary conveyor	650 mm		
Belt width of discharge conveyor	600 mm		
Theoretical capacity of discharge conveyor	176 m ³ /h		

TECHNICAL SPECIFICATIONS	W 100 F	W 120 F	W 130 F
Weight of Basic Machine			
Empty weight of machine without fluids	18,600 kg	19,500 kg	19,900 kg
Operating weight, CE ²⁾	19,700 kg	20,700 kg	21,100 kg
Maximum operating weight (full tanks, full range of equipment)	22,400 kg	23,650 kg	24,150 kg
Weight of Consumables			
Water	1,400 kg	1,600 kg	1,600 kg
Fuel (0.83 kg/l)		506 kg	
Additional Weight			
Operator and tools			
> Machine operator		75 kg	
> 5 pick containers		125 kg	
> Tools		30 kg	
Optional Milling Drum Units Instead of Standard			
> FB1000 FCS milling drum housing	280 kg	-	-
> FB1200 FCS milling drum housing	-	330 kg	-
> FB1300 FCS milling drum housing	-	-	370 kg
Optional Milling Drums Instead of Standard			
> FCS milling drum FB1000 HT22 PLUS LA15 with 95 picks	-80 kg	-	-
> FCS milling drum FB1200 HT22 PLUS LA15 with 109 picks	-	-80 kg	-
> FCS milling drum FB1300 HT22 PLUS LA15 with 115 picks	-	-	-80 kg
> Milling drum FB1000 HT22 PLUS LA18 with 88 picks	-60 kg	-	-
> Milling drum FB1200 HT22 PLUS LA18 with 100 picks	-	-70 kg	-
> Milling drum FB1300 HT22 PLUS LA18 with 105 picks	-	-	-75 kg
Optional Additional Equipment			
> 4 independently driven wheels instead of track units		-1,400 kg	
> Hydraulically lowering weather canopy instead of standard		255 kg	
> Shortened discharge conveyor, 6,500 mm long, 600 mm wide, with hydraulic folding device		-45 kg	
> VCS extraction system		75 kg	
> Additional ballast weight		470 kg	
> Foldable signal lights		40 kg	
> Leveling boom including sensor for LEVEL PRO ACTIVE leveling system		48 kg	
> Upgrade of LEVEL PRO ACTIVE with two leveling booms and one Sonic-Ski sensor		77 kg	
> Powerful high-pressure water cleaner, 150 bar, 15 l/min		42 kg	
> Air compressor system		45 kg	

¹⁾ The maximum milling depth may deviate from the value indicated due to tolerances and wear.

²⁾ Machine weight, half-full tanks, vehicle tool kits, machine operator, excluding optional equipment

SIDE VIEW / TOP VIEW OF TRACKED W 100 F, W 120 F, W 130 F

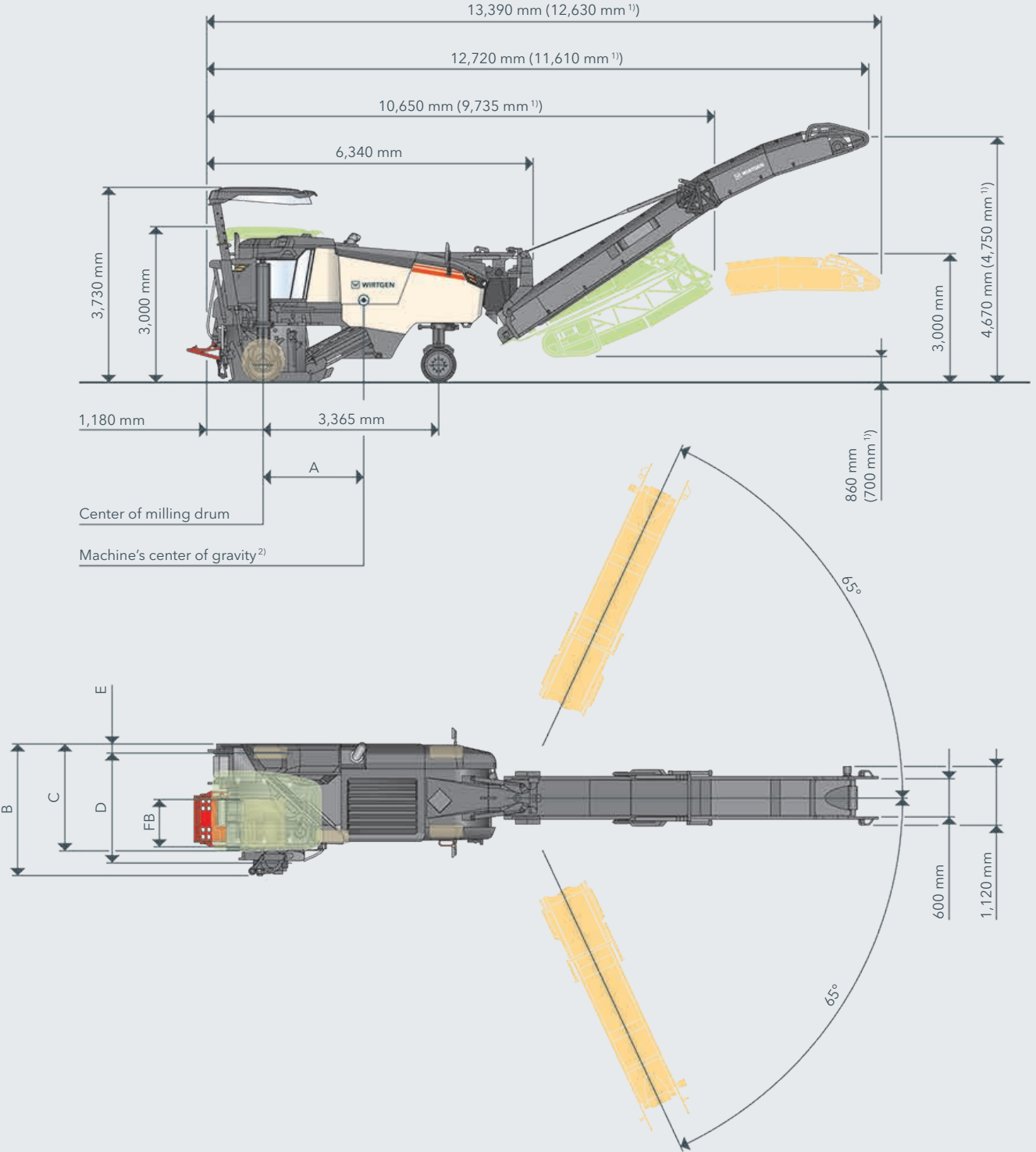


	FB	A	B	C	D	E
W 100 F	1,000 mm	1,600 mm	2,540 mm	2,120 mm	1,945 mm	335 mm
W 120 F	1,200 mm	1,620 mm	2,660 mm	2,230 mm	2,095 mm	295 mm
W 130 F	1,300 mm	1,600 mm	2,760 mm	2,330 mm	2,210 mm	295 mm

¹⁾ Short folding discharge conveyor

²⁾ Based on operating weight, CE with conveyor folded out

SIDE VIEW / TOP VIEW OF WHEELED W 100 F, W 120 F, W 130 F

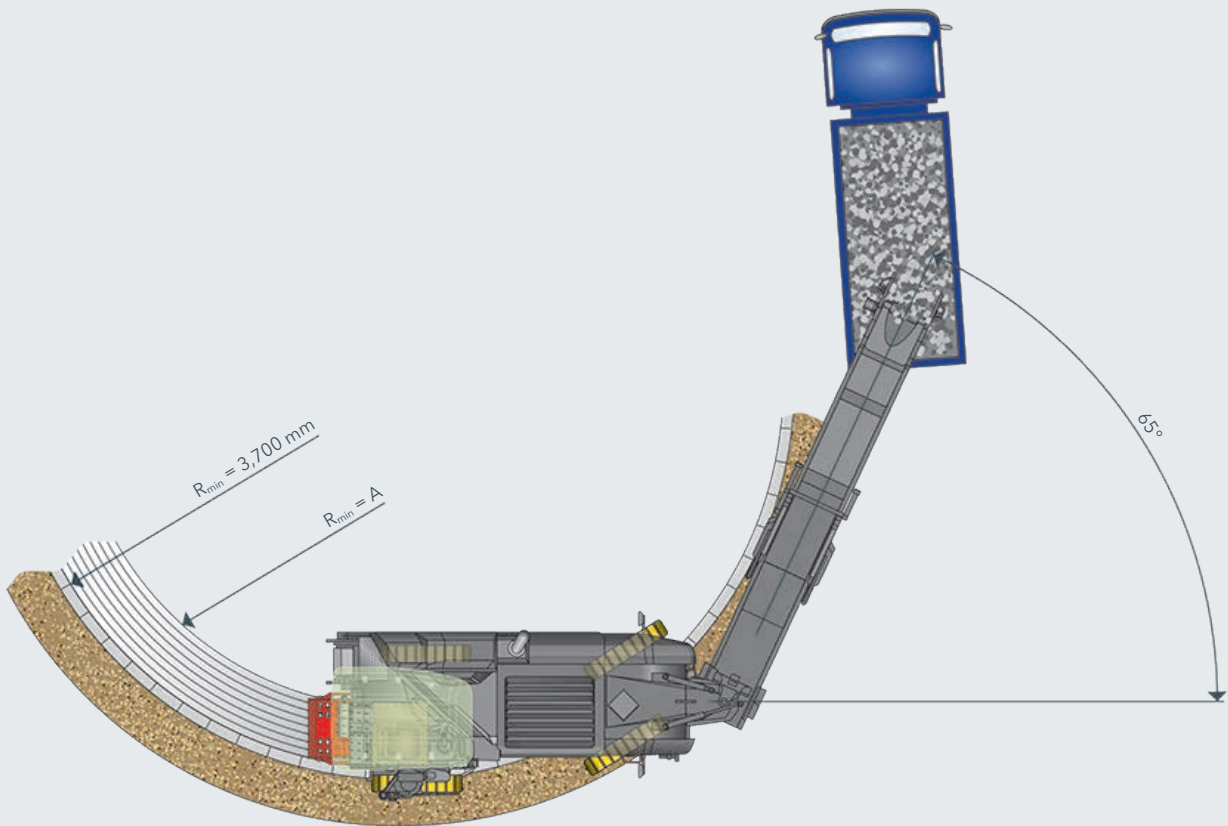


	FB	A	B	C	D	E
W 100 F	1,000 mm	1,600 mm	2,540 mm	2,120 mm	1,925 mm	340 mm
W 120 F	1,200 mm	1,620 mm	2,660 mm	2,230 mm	2,075 mm	290 mm
W 130 F	1,300 mm	1,600 mm	2,760 mm	2,330 mm	2,190 mm	290 mm

¹⁾ Short folding discharge conveyor

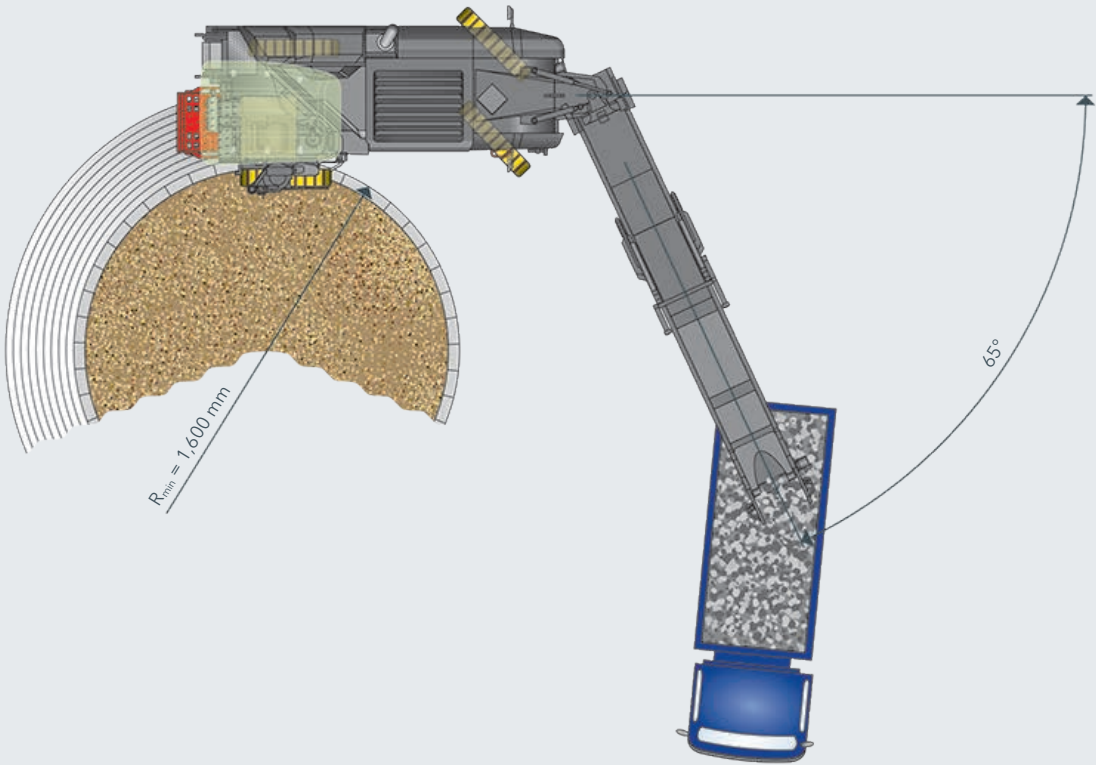
²⁾ Based on operating weight, CE with conveyor folded out

MILLING RADIUS OF THE W 100 F, W 120 F, W 130 F AT A MILLING DEPTH OF 150 MM



	FB	A
W 100 F	1,000 mm	2,700 mm
W 120 F	1,200 mm	2,500 mm
W 130 F	1,300 mm	2,500 mm

MILLING RADIUS OF THE W 100 F, W 120 F, W 130 F AT A MILLING DEPTH OF 150 MM



STANDARD EQUIPMENT	W 100 F	W 120 F	W 130 F
Basic Machine			
> Base machine with engine	■	■	■
> Electrohydraulically opening engine cowling	■	■	■
> Radiator with temperature-dependent fan speed	■	■	■
> Highly effective noise insulation throughout the engine compartment	■	■	■
> Automatic engine speed adjustment depending on machine load	■	■	■
> Elastically mounted engine station with low vibration and low noise	■	■	■
Milling Drum Unit			
> Hydraulically operated rear scraper with mechanical locking	■	■	■
> Hydraulically operated rear scraper with mechanical locking	■	■	■
> Milling drum housing FB1000 Premium	□	—	—
> Milling drum housing FB1200 Premium	—	□	—
> Milling drum housing FB1300 Premium	—	—	□
Milling Drums			
> Milling drum FB1000 HT22 PLUS LA15 with 95 picks	□	—	—
> Milling drum FB1200 HT22 PLUS LA15 with 109 picks	—	□	—
> Milling drum FB1300 HT22 PLUS LA15 with 115 picks	—	—	□
Loading of the Milled Material			
> Discharge conveyor slewing angle left 65 degrees - right 65 degrees	■	■	■
> Machine with hydraulic pre-fitting for a discharge conveyor - screw coupling	□	□	□
> Discharge conveyor, 8,150 mm long, 600 mm wide, with hydraulic folding device	□	□	□
Machine Control and Leveling System			
> Digital milling depth indicator on machine control panel	■	■	■
> LEVEL PRO ACTIVE leveling system right and left	■	■	■
> RAPID SLOPE cross-slope sensor for LEVEL PRO ACTIVE leveling system	■	■	■
> Precise machine height adjustment in increments of 1 or 5 mm via the machine's main control panel	■	■	■
> Advance drive with electronic traction control system	■	■	■
> Automatic water management	■	■	■
Operator's Platform			
> Hydraulically extendable operator's platform for optimum view of the working area	■	■	■
> Steering console adjustable in inclination which enables the operator's platform to be ideally adjusted to suit the operator	■	■	■
> Slender machine design permits unobstructed view of the milled edge as well as the working area in front of the milling drum on the right	■	■	■
> Conveniently accessible footstep to the operator's platform with night lighting	■	■	■
> Robust anti-vandalism protection for the controls	■	■	■
> Mirror package including front left and right rear-view mirrors, a forward-facing mirror to the left of the operator's platform, and a mirror for the area in front of the left front crawler unit	■	■	■
> Reversing horn with clearly audible signal	■	■	■
> Illuminated control panel / nighttime design	■	■	■
> Scraper height indicator on control panel	■	■	■
> Standard operator's platform, not hydraulically movable	□	□	□

STANDARD EQUIPMENT	W 100 F	W 120 F	W 130 F
Track Unit and Height Adjustment			
> Dual-speed hydraulic height adjustment of front and rear track units	■	■	■
> ISC - intelligent track speed control including hydraulic four-track drive	■	■	■
> Reversing with the milling drum rotating. Simple and fast maneuvering	■	■	■
> Equipped with extremely wear-resistant 2-piece polyurethane track pads	■	■	■
> 4 driven track units	□	□	□
Miscellaneous			
> Large tool package	■	■	■
> Towing device	■	■	■
> Generously sized water and diesel tanks	■	■	■
> Comprehensive safety package with several EMERGENCY STOP switches	■	■	■
> "Welcome-and-Go-Home-Light" feature including LED lighting in the area of the operator's platform and access	■	■	■
> Hydraulically driven water filler pump used to fill the water tank with a suction hose, maximum flow-through quantity of 210 l/min	■	■	■
> European type certification, EuroTest mark and CE conformity	■	■	■
> Standard film coating in RAL 9001 (cream)	□	□	□
> WITOS - professional telematics solution for machine operation and service optimization	□	□	□
> Standard LED lighting package with 14,050 lumen	□	□	□
> Standard electro-hydraulic unit	□	□	□

- = Standard equipment
 □ = Standard equipment, can be replaced with optional equipment if desired
 □ = Optional equipment

OPTIONAL EQUIPMENT	W 100 F	W 120 F	W 130 F
Milling Drum Unit			
> Milling drum housing FB1000 FCS	<input type="checkbox"/>	—	—
> Milling drum housing FB1200 FCS	—	<input type="checkbox"/>	—
> Milling drum housing FB1300 FCS	—	—	<input type="checkbox"/>
> Overload sensor on the scraper	<input type="checkbox"/>	<input type="checkbox"/>	<input type="checkbox"/>
> Active floating position for the side plates, left and right*)	<input type="checkbox"/>	<input type="checkbox"/>	<input type="checkbox"/>
> Wear-protection rollers for right side plate	<input type="checkbox"/>	<input type="checkbox"/>	<input type="checkbox"/>
> Sectional, electrically switchable water spray bar*)	<input type="checkbox"/>	<input type="checkbox"/>	<input type="checkbox"/>
> Hydraulic scraper board	<input type="checkbox"/>	<input type="checkbox"/>	<input type="checkbox"/>
Milling Drums			
> Milling drum FB1000 HT22 PLUS LA18 with 88 picks	<input type="checkbox"/>	—	—
> Milling drum FB1200 HT22 PLUS LA18 with 100 picks	—	<input type="checkbox"/>	—
> Milling drum FB1300 HT22 PLUS LA18 with 105 picks	—	—	<input type="checkbox"/>
> FCS milling drum FB1000 HT22 PLUS LA15 with 95 picks	<input type="checkbox"/>	—	—
> FCS milling drum FB1200 HT22 PLUS LA15 with 109 picks	—	<input type="checkbox"/>	—
> FCS milling drum FB1300 HT22 PLUS LA15 with 115 picks	—	—	<input type="checkbox"/>
> FCS milling drum FB1000 HT22 PLUS LA18 with 88 picks	<input type="checkbox"/>	—	—
> FCS milling drum FB1200 HT22 PLUS LA18 with 100 picks	—	<input type="checkbox"/>	—
> FCS milling drum FB1300 HT22 PLUS LA18 with 105 picks	—	—	<input type="checkbox"/>
> FCS milling unit FB300 HT22 LA12 with 61 picks	<input type="checkbox"/>	<input type="checkbox"/>	<input type="checkbox"/>
> FCS milling unit FB500 HT22 LA15 with 72 picks	<input type="checkbox"/>	<input type="checkbox"/>	<input type="checkbox"/>
> FCS milling unit FB600 HT22 LA12 with 79 picks	<input type="checkbox"/>	<input type="checkbox"/>	<input type="checkbox"/>
> FCS milling unit FB900 HT22 LA15 with 102 picks	—	<input type="checkbox"/>	<input type="checkbox"/>
> FCS milling drum FB1000 HT22 LA8 with 149 picks	<input type="checkbox"/>	—	—
> FCS milling drum FB1200 HT22 LA8 with 174 picks	—	<input type="checkbox"/>	—
> FCS milling drum FB1300 HT22 LA8 with 185 picks	—	—	<input type="checkbox"/>
> FCS milling drum FB1000 HT5 LA6X2 with 340 picks	<input type="checkbox"/>	—	—
> FCS milling drum FB1200 HT5 LA6X2 with 410 picks	—	<input type="checkbox"/>	—
> FCS milling drum FB1300 HT5 LA6X2 with 444 picks	—	—	<input type="checkbox"/>
> FCS milling drum FB1000 HT22 LA25 with 83 picks	<input type="checkbox"/>	—	—
> FCS milling drum FB1200 HT22 LA25 with 87 picks	—	<input type="checkbox"/>	—
> FCS milling drum FB1300 HT22 LA25 with 91 picks	—	—	<input type="checkbox"/>
> FCS tandem scraper	<input type="checkbox"/>	<input type="checkbox"/>	<input type="checkbox"/>
> Assembly kit for moving the FCS milling drum	<input type="checkbox"/>	<input type="checkbox"/>	<input type="checkbox"/>
Loading of the Milled Material			
> Machine with hydraulic pre-fitting for a discharge conveyor - quick-change coupling	<input type="checkbox"/>	<input type="checkbox"/>	<input type="checkbox"/>
> Shortened discharge conveyor, 6,500 mm long, 600 mm wide, with hydraulic folding device	<input type="checkbox"/>	<input type="checkbox"/>	<input type="checkbox"/>
> Signal lights for visual "stop" and "go" instructions for the truck driver	<input type="checkbox"/>	<input type="checkbox"/>	<input type="checkbox"/>
> VCS extraction system	<input type="checkbox"/>	<input type="checkbox"/>	<input type="checkbox"/>
> ACTIVE CONVEYOR swing angle control for discharge conveyor	<input type="checkbox"/>	<input type="checkbox"/>	<input type="checkbox"/>

OPTIONAL EQUIPMENT	W 100 F	W 120 F	W 130 F
Machine Control and Leveling System			
> Extension of LEVEL PRO ACTIVE with one leveling boom and one Sonic-Ski sensor	<input type="checkbox"/>	<input type="checkbox"/>	<input type="checkbox"/>
> Extension of LEVEL PRO ACTIVE with two leveling booms and one Sonic-Ski sensor	<input type="checkbox"/>	<input type="checkbox"/>	<input type="checkbox"/>
> Multiplex preliminary equipment consisting of 2 sensor sockets	<input type="checkbox"/>	<input type="checkbox"/>	<input type="checkbox"/>
> 3-way multiplex system, right, including 2 ultrasonic sensors	<input type="checkbox"/>	<input type="checkbox"/>	<input type="checkbox"/>
> 3-way multiplex system, right and left, including 4 ultrasonic sensors	<input type="checkbox"/>	<input type="checkbox"/>	<input type="checkbox"/>
> Level control 3D leveling pre-equipment	<input type="checkbox"/>	<input type="checkbox"/>	<input type="checkbox"/>
> Extension of LEVEL PRO ACTIVE with a linear laser sensor	<input type="checkbox"/>	<input type="checkbox"/>	<input type="checkbox"/>
Operator's Platform			
> Premium operator's platform, hydraulically moveable	<input type="checkbox"/>	<input type="checkbox"/>	<input type="checkbox"/>
> Operator's platform equipped with weather protection elements on the sides	<input type="checkbox"/>	<input type="checkbox"/>	<input type="checkbox"/>
> Operator's platform with weather canopy and lateral weather protection elements	<input type="checkbox"/>	<input type="checkbox"/>	<input type="checkbox"/>
> Heating operator's platform	<input type="checkbox"/>	<input type="checkbox"/>	<input type="checkbox"/>
Track Unit and Height Adjustment			
> 4 driven wheeled chassis	<input type="checkbox"/>	<input type="checkbox"/>	<input type="checkbox"/>
Miscellaneous			
> Film coating according to the customer's wishes	<input type="checkbox"/>	<input type="checkbox"/>	<input type="checkbox"/>
> Model without WITOS	<input type="checkbox"/>	<input type="checkbox"/>	<input type="checkbox"/>
> Extended LED lighting package with 27,200 lumen	<input type="checkbox"/>	<input type="checkbox"/>	<input type="checkbox"/>
> Premium electro-hydraulic unit	<input type="checkbox"/>	<input type="checkbox"/>	<input type="checkbox"/>
> Additional weight 470 kg	<input type="checkbox"/>	<input type="checkbox"/>	<input type="checkbox"/>
> Air compressor system	<input type="checkbox"/>	<input type="checkbox"/>	<input type="checkbox"/>
> Milling drum assembly trolley to FB1300	<input type="checkbox"/>	<input type="checkbox"/>	<input type="checkbox"/>
> Powerful high-pressure water cleaner, 150 bar, 15 l/min	<input type="checkbox"/>	<input type="checkbox"/>	<input type="checkbox"/>
> Hydraulically driven pick extractor drift	<input type="checkbox"/>	<input type="checkbox"/>	<input type="checkbox"/>
> Milling drum rotation device	<input type="checkbox"/>	<input type="checkbox"/>	<input type="checkbox"/>
> Pneumatic hammer with pick extractor / inserter	<input type="checkbox"/>	<input type="checkbox"/>	<input type="checkbox"/>
> Job data acquisition in the control display ^{*)}	<input type="checkbox"/>	<input type="checkbox"/>	<input type="checkbox"/>
> User-specific storage of machine settings via SMART KEY key fob ^{*)}	<input type="checkbox"/>	<input type="checkbox"/>	<input type="checkbox"/>
> MILL ASSIST assistance system	<input type="checkbox"/>	<input type="checkbox"/>	<input type="checkbox"/>
> Monitor system with 2 cameras and a 7" control panel ^{*)}	<input type="checkbox"/>	<input type="checkbox"/>	<input type="checkbox"/>
> Monitor system with 5 cameras and a 10" control panel ^{*)}	<input type="checkbox"/>	<input type="checkbox"/>	<input type="checkbox"/>
> Expanded lighting equipment	<input type="checkbox"/>	<input type="checkbox"/>	<input type="checkbox"/>
> Licence plate holder with LED lighting	<input type="checkbox"/>	<input type="checkbox"/>	<input type="checkbox"/>

■ = Standard equipment

▒ = Standard equipment, can be replaced with optional equipment if desired

□ = Optional equipment

^{*)} Option available only in conjunction with the premium operator's cabin

**WIRTGEN GmbH**

Reinhard-Wirtgen-Str. 2
53578 Windhagen
Germany

T: +49-2645-131-0
F: +49-2645-131-392
E: info@wirtgen.com

 www.wirtgen.de



For further information, please scan the code.