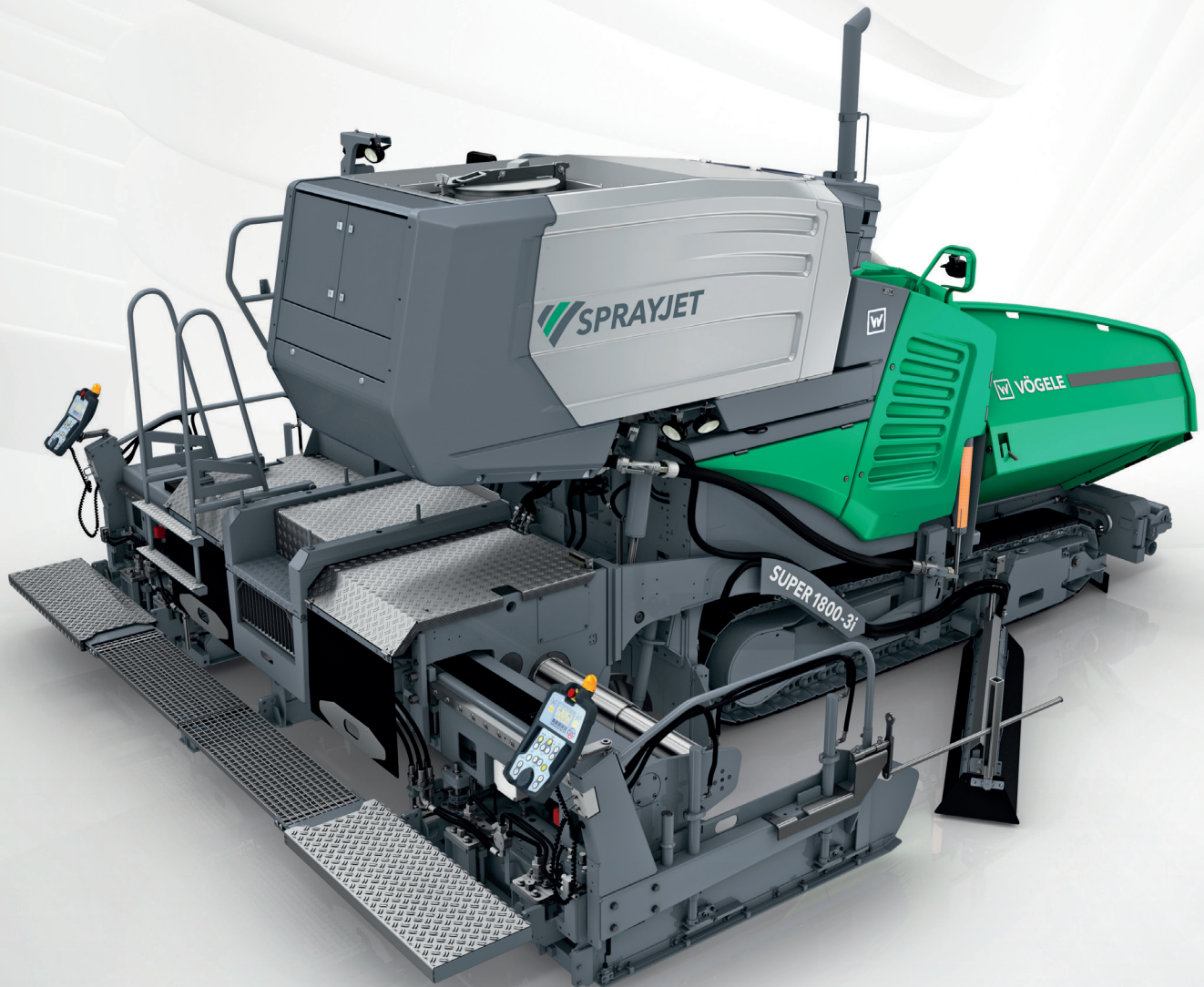


Technical information

SUPER 1800-3(i) SPRAYJET



Tracked paver SUPER 1800-3(i) SprayJet
Special Class

TECHNICAL HIGHLIGHTS

- > Maximum spray width 6 m
- > Maximum pave width 9 m
- > Maximum laydown rate 700 tonnes/h
- > Engine output: 129/127 kW at 2,000 rpm

SUPER 1800-3(i) SprayJet - unique and innovative

The SUPER 1800-3(i) SprayJet is equally ideal for paving thin overlay hot on spray seal and for conventional paving with pre-spraying.

The SprayJet spray module offers a host of technological advantages. The rate of spread is infinitely variable from 0.3 to 1.6 kg/m²*, so that even small quantities of emulsion can be sprayed. A low spray pressure of no more than 3 bar minimizes soiling and the formation of spray mist.



TECHNICAL DATA	SUPER 1800-3i SprayJet	SUPER 1800-3 SprayJet
Power unit		
	for EU/EFTA countries/USA/Canada	for all other countries
Engine	liquid-cooled 6-cylinder diesel engine	
> Version	Cummins	
> Manufacturer	Cummins	
> Type	B6.7-C173	QSB6.7-C170
Output		
> Nominal	129 kW at 2,000 rpm (according to DIN)	127 kW at 2,000 rpm (according to DIN)
> ECO mode	129 kW at 1,700 rpm	116 kW at 1,700 rpm
Emissions information		
> Exhaust emissions standards	EU Stage V, US EPA Tier 4f	EU Stage 3a, US EPA Tier 3
> Exhaust gas after-treatment	DOC, DPF, SCR	
> Sound power level	≤108 dB(A) (2000/14/EC and DIN EN 500-6)	
> Daily noise exposure level	>80 dB(A) (DIN EN 500-6)	
Fuel tank	300 l	
Undercarriage		
Crawler tracks		
> Version	with rubber pads	
> Ground contact	2,830 x 305 mm	
> Track tension adjuster	spring assembly	
> Lubrication of track rollers	lifetime	
Traction drive	separate hydraulic drive and electronic control provided for each crawler track	
Speeds		
> Paving	up to 24 m/min., infinitely variable	
> Travel	up to 4.5 km/h, infinitely variable	
Material hopper		
Hopper capacity	13 t	
Width	3,265 mm	
Feed height	590 mm (centre of material hopper)	
Push-rollers		
> Standard	oscillating	
Position	can be displaced forwards by 75 mm	
Conveyors and augers		
Conveyors	2, with replaceable feeder bars, conveyor movement reversible for a short time	
> Drive	separate hydraulic drive provided for each conveyor	
> Speed	up to 33 m/min., infinitely variable (manual or automatic)	

Conveyors and augers

Augers	2, with exchangeable auger blades, auger rotation reversible	
> Diameter	400 mm	
> Drive	separate hydraulic drive provided for each auger	
> Speed	up to 84 rpm, infinitely variable (manual or automatic)	
> Height	infinitely variable by 15 cm, hydraulic, lowest position 10 cm above the ground	
Lubrication	automatic centralized lubrication system with electrically driven grease pump	
Screed options	AB 500	AB 600
Basic width	2.55 m to 5 m	3 m to 6 m
Maximum width (TV/TP1)	8.5 m	9 m
Maximum spray width	6 m	6 m
Compacting systems	TV, TP1	TV, TP1
Layer thickness	up to 30 cm	
Screed heating	electric by heating rods	
> Power supply	three-phase AC generator	

SprayJet module

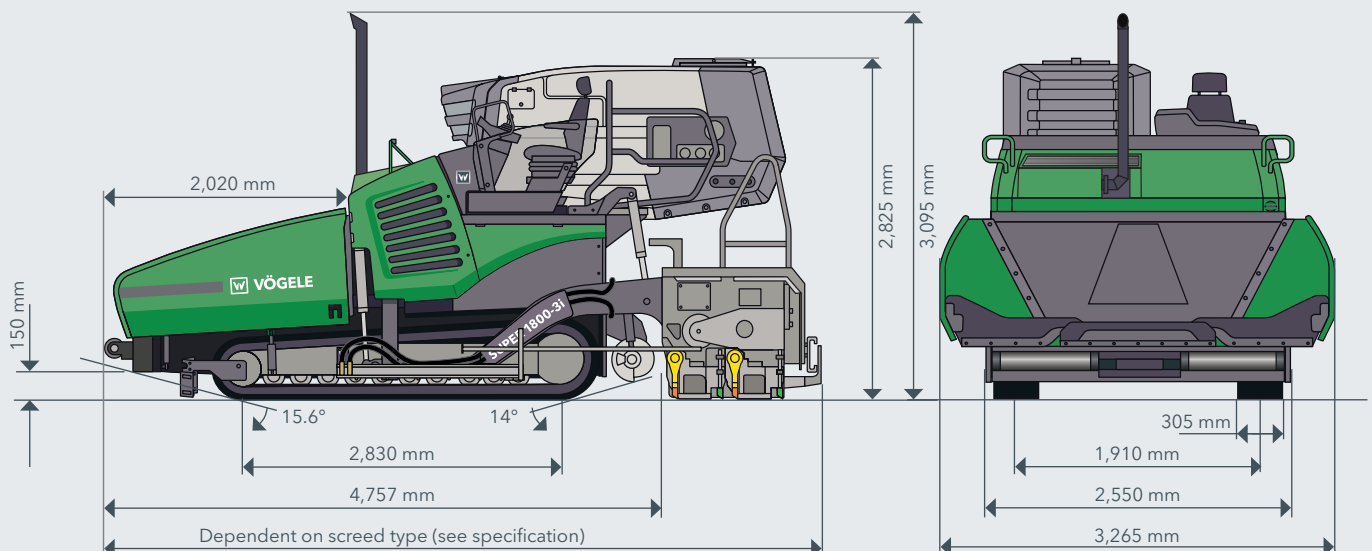
Emulsion tank	heated electrically, controlled by thermostat	
> Capacity	2,100 litres as standard, with extra tank (option) 7,100 litres	
> Tank shell	insulated	
Spray bars	5 segments	
> Spray width	extending from 2.55 to 6 m	
> Distance between nozzles	250 mm	
> Spray nozzles	double-slotted	
> Rate of spread	0.3 to 1.6 kg/m ² *	
> Spray cone	120°	
> Spray pressure	3 bar (max)	

Dimensions (transport) and weights

Length	tractor unit and screed	
> AB 500/600	TV/TP1: 6.04 m	
Weights	tractor unit with empty module and screed	
> AB 600 TV	22,810 kg	

Key: DOC = Diesel Oxidation Catalyst, DPF = Diesel Particulate Filter, SCR = Selective Catalytic Reduction, AB = Extending Screed, TV = with tamper and vibrators, TP1 = with tamper and 1 pressure bar | * The rate of spread per square metre must be determined as a function of the emulsion to be used. The rate of spread depends on the emulsion's consistency and temperature when applied, and on the size of nozzles used for spraying.

SIDE AND FRONT VIEW



THE HIGHLIGHTS OF THE SUPER 1800-3(i) SPRAYJET

- > World's only spray paver for paving thin overlay as well as conventional surface and binder courses
- > Emulsion sprayed at a rate of 0.3 to 1.6 kg/m²* in a clean and controlled process
- > The VÖGELE EcoPlus low-emissions package significantly reduces fuel consumption and noise levels
- > Advanced ErgoPlus 3 operating concept for paver and spray module
- > PaveDock Assistant for better and safer communication when feeding the paver with mix
- > ErgoPlus 3 screed console with SmartWheel for convenient screed width control
- > AutoSet Plus automatic functions for rapid relocation of the paver on the job site and storing paving programs
- > Fully integrated Niveltronic Plus System for Automated Grade and Slope Control
- > Advanced and precise screed technology for perfect high-quality pavements

FEATURES	SUPER 1800-3i SprayJet	SUPER 1800-3 SprayJet
> Powerful oil-cooled generator	■	■
> VÖGELE EcoPlus low-emissions package	■	□
> Simple, ergonomic ErgoPlus 3 operating concept	■	■
> Windscreen with windscreen wipers	□	□
> Ergonomic heated driver's seats	□	□
> PaveDock Assistant communication system	□	□
> PaveDock sprung push-rollers	■	■
> Hydraulic hopper front	■	■
> Large receiving hopper holding 13 tonnes	■	■
> Sonic sensor to control augers	□	□
> Niveltronic Plus System for Automated Grade and Slope Control	□	□
> AutoSet Plus for simple repositioning and saving of paving programs	□	□
> LED light balloon for use at night	□	□
> WITOS FleetView telematics system	■	■
> Ventilation system	□	□
> VÖGELE RoadScan comprehensive asphalt temperature measuring system	□	□
> WITOS Paving Docu records paver and paving data	□	□
> WITOS Paving Plus process management solution	□	□

This list is just an extract of the scope of supply.
Standard features and options may differ by sales region.

■ Standard feature □ Option

* The rate of spread per square metre must be determined as a function of the emulsion to be used.
The rate of spread depends on the emulsion's consistency and temperature when applied, and on the size of nozzles used for spraying.

JOSEPH VÖGELE AG

Joseph-Vögele-Str. 1
67075 Ludwigshafen
Germany

T: +49 621 8105-0
F: +49 621 8105-461
M: marketing@voegele.info

▶ www.voegele.info

