

Perfect Texture and Protection of Concrete Surfaces

# TEXTURE CURING MACHINE

TCM 95 (i) | TCM 180 (i)



# PERFECT TEXTURE AND PROTECTION OF CONCRETE SURFACES



The modular machine design allows it to be adapted to working widths between 4.0 m and 9.5 m (TCM 95(i)) or 4.0 m and 18.0 m (TCM 180(i)).

The self-propelled texture curing machine produces the desired surface textures on the freshly paved concrete surface.

The automated spraying system with a high-capacity storage tank efficiently distributes the dispersion and protects the concrete surface from premature drying.

The various texture and spray modes as well as other texture alternatives offer a wide range of functions.

An extensive array of options that can be combined without additional installation work make a wide variety of applications possible while guaranteeing maximum machine utilization rates.

## WIRTGEN SLIPFORM PAVERS

### OFFSET SLIPFORM PAVERS

- > Offset paving width up to 4.0 m<sup>1)</sup>
- > Offset paving height up to 3.0 m<sup>1)</sup>

### PLACER / SPREADERS

- > Inset paving width up to 12.0 m<sup>1)</sup>
- > Inset layer thickness up to 500 mm<sup>1)</sup>

### INSET SLIPFORM PAVERS

- > Inset paving width up to 16.0 m<sup>1)</sup>
- > Inset paving height up to 450 mm<sup>1)</sup>

### TEXTURE CURING MACHINES

- > Working width up to 18.0 m
- > Working height up to 500 mm

<sup>1)</sup> Special paving widths, paving thicknesses, paving heights, and other options available on request

# OVERVIEW OF HIGHLIGHTS

Perfectly Equipped



## 01 Highlights in Operation

- > High level of operator comfort on the operator's platform
- > Standardized operating concept in line with the current SP model ranges
- > Ergonomically designed controls for intuitive operation
- > State-of-the-art, clearly structured main control panel
- > Separate control consoles for longitudinal texturing features, transverse texturing features, service and diagnostic features, and telescoping feature
- > All adjustment features offer electrohydraulic control
- > Automatic adjustment of all components for central crown applications

## 02 Highlights in Driving and Leveling

- > High-precision traction drive featuring proportional control
- > Two different speed ranges
- > Wheel-mounted or track-mounted design
- > High precision and manoeuvrability
- > High-precision height adjustment featuring proportional control
- > Scanning by means of stringline or slab tracer (reference surface)
- > Optional scanning of the concrete surface by means of an ultrasonic sensor in 3D applications
- > Turning on the spot at the mere push of a button

## 03 Highlights in Concrete Curing

- > Functional film unwinder
- > Mounting rail for burlap or artificial turf
- > Effective lateral broom-cleaning unit
- > Optimized transverse broom finish and spraying feature
- > Selection feature for longitudinal or transverse broom finish
- > Selection feature for longitudinal or transverse spraying
- > Diagonal broom finish and spraying feature
- > Meander spraying feature
- > Minor modification requirements when switching applications
- > Spray heads with three spray nozzles each for reliable longitudinal spraying

## 04 Highlights in Performance and Productivity

- > Engine models complying with EU Stage 3a / US EPA Tier 3 or the stringent EU Stage 5 / US EPA Tier 4f emission standards
- > Fuel-efficient ECO mode and temperature-controlled fan speed (EU Stage 5 / US EPA Tier 4f)
- > Engine with optional diesel particulate filter (EU Stage 5 / US EPA Tier 4f only)
- > Numerous automated features
- > Lightweight working platform of high-quality aluminium
- > Hot-water heating system for easy cleaning of the spraying system
- > Quick maintenance
- > Separate supports
- > Compact transport dimensions
- > Minimum modification requirements



# HIGHLIGHTS IN OPERATION

## A Stress-Free Workplace

Comfortable, ergonomically-designed operator's platform

## Familiar with the Machine in Seconds

Standardized operating concept



### High Level of Operator Comfort on the Operator's Platform

Optional features such as canopy, stand-up seat or hoisting crane for the curing compound tanks enhance work efficiency.

### Ergonomic Design and Ease of Operation

Ease of operation and ergonomically designed controls improve operator performance and therefore increase the machine's overall productivity.

### Automatic Adjustment of Central Crown

When altering the central crown, the components involved are adjusted automatically, allowing the operation to continue quickly and precisely without requiring additional operator intervention.

### Additional Control Consoles

The process is optimized by separate, individually positionable control consoles for controlling the longitudinal or transverse texturing features and for hydraulic telescoping of the machine frame. The control console for service and diagnostic features enables specific diagnostic procedures to be performed.

### Electrohydraulic Adjustment Features

All adjustment features offer electrohydraulic control and can be operated quickly and easily via the different control consoles.

### State-Of-The-Art Main Control Panel

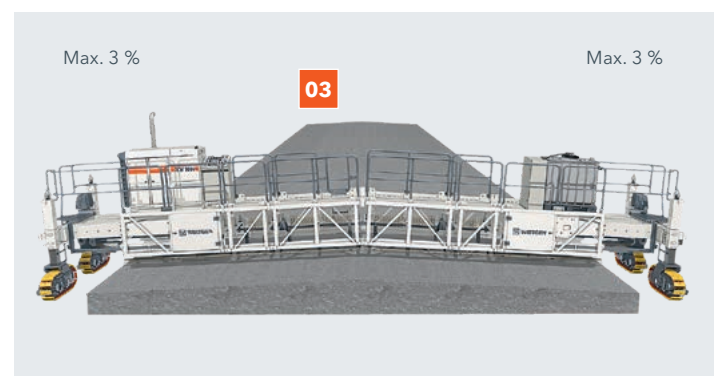
The main control panel with state-of-the-art control system and central PCB is positioned next to the engine station and features language-independent labelling and controls arranged in line with functional groups.

### Standardized Operating Concept

The standardized operating concept in line with the current SP model ranges offers additional synergistic effects.



- 01 High Level of Operator Comfort on the Operator's Platform
- 02 Ergonomic Design and Ease of Operation
- 03 Automatic Adjustment of Central Crown
- 04 Additional Control Consoles
- 05 Electrohydraulic Adjustment Features
- 06 State-Of-The-Art Main Control Panel
- 07 Standardized Operating Concept

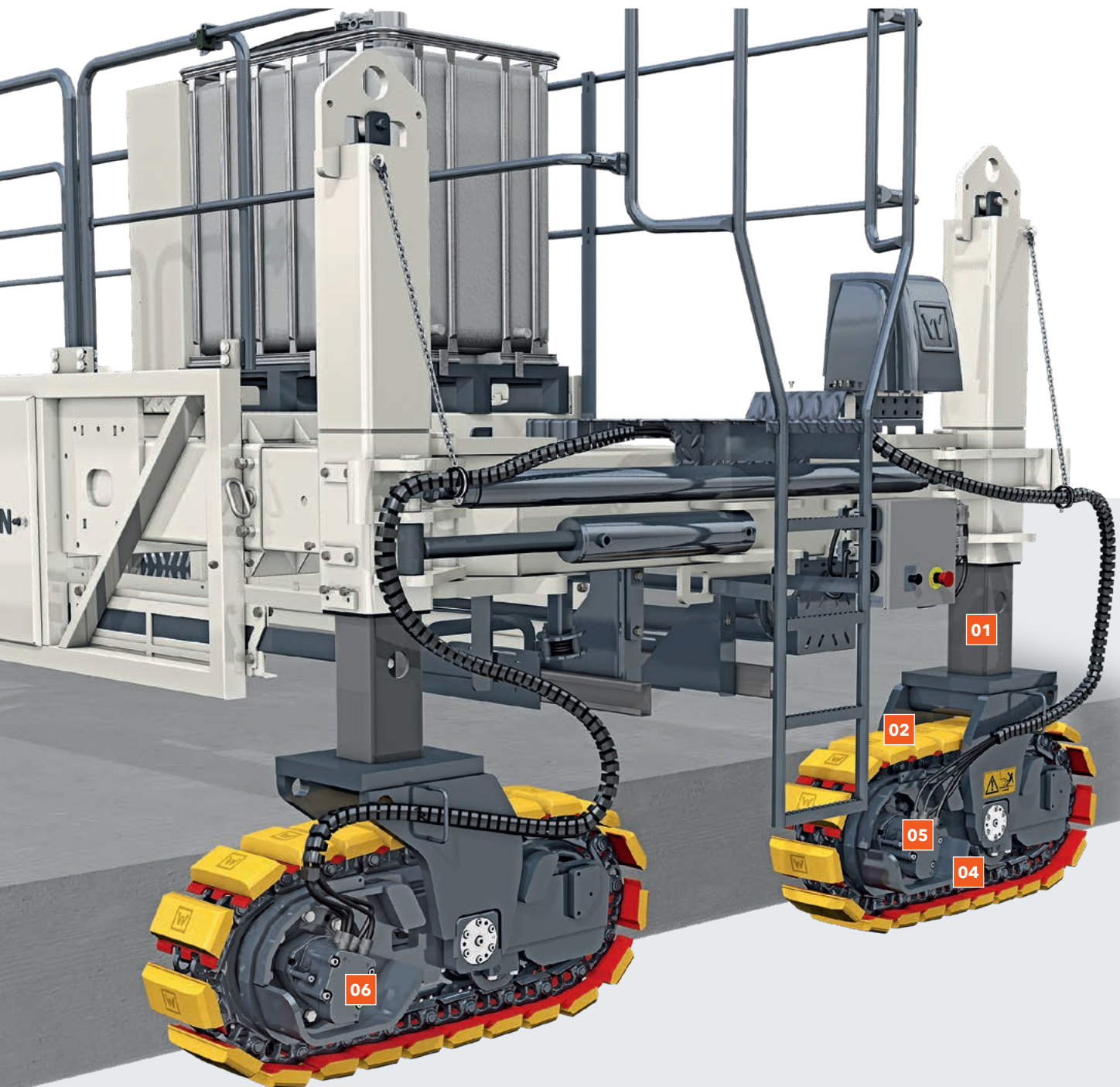


Fully automatic adjustment of the machine to the pavement's cross-section.

# HIGHLIGHTS IN DRIVING AND LEVELING

**Use the Best Reference**  
Numerous different leveling methods

**Fast Turning**  
Turning on the spot





### Reliable Scanning Methods

Transducers on the stringline or slab tracers on the previously paved concrete slab are tried-and-tested leveling methods.

### Scanning via Ultrasonic Sensors

Stringless concrete paving using, for example, 3D control allows the previously paved concrete slab to be scanned by ultrasonic sensors during the curing process.

### Height Adjustment Featuring Proportional Control

Height adjustment featuring proportional control guarantees full compliance with the specified machine height.

### Precision and Maneuverability

The innovative skid steering system ensures highest steering precision in operation, whilst the patented transport steering system ensures optimum maneuverability during transport.

### Wheel-Mounted or Track-Mounted Design

The texture curing machine can be supplied in either wheel-mounted or track-mounted design in accordance with customer requirements.

### Rotating Feature

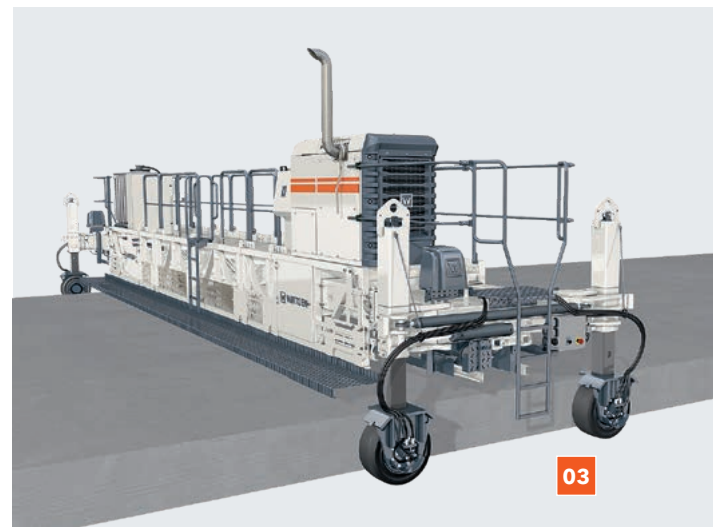
The rotating feature allows the machine to be turned on the spot at the mere push of a button.

### Two Speed Ranges

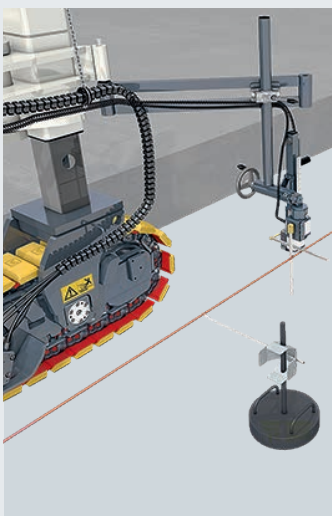
State-of-the-art drive gearboxes and drive motors enable different advance speeds in operating and transport mode.

### Traction Drive Featuring Proportional Control

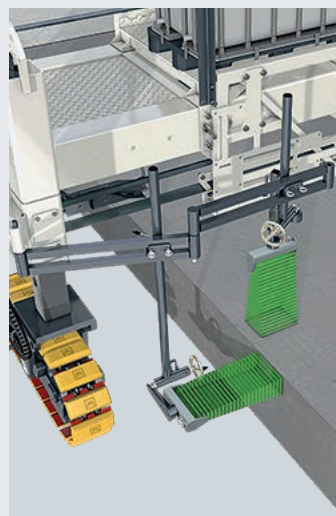
The machine's traction drive featuring proportional control guarantees continuously adjustable, highly precise operating and transport speeds.



The TCM 95(i) is fitted with four wheels, the TCM 180(i) with four track units.



Reliable scanning methods



Scanning via ultrasonic sensors

#### 01 Height Adjustment Featuring Proportional Control

#### 02 Precision and Manoeuvrability

#### 03 Wheel-Mounted or Track-Mounted Design

#### 04 Rotating Feature

#### 05 Two Speed Ranges

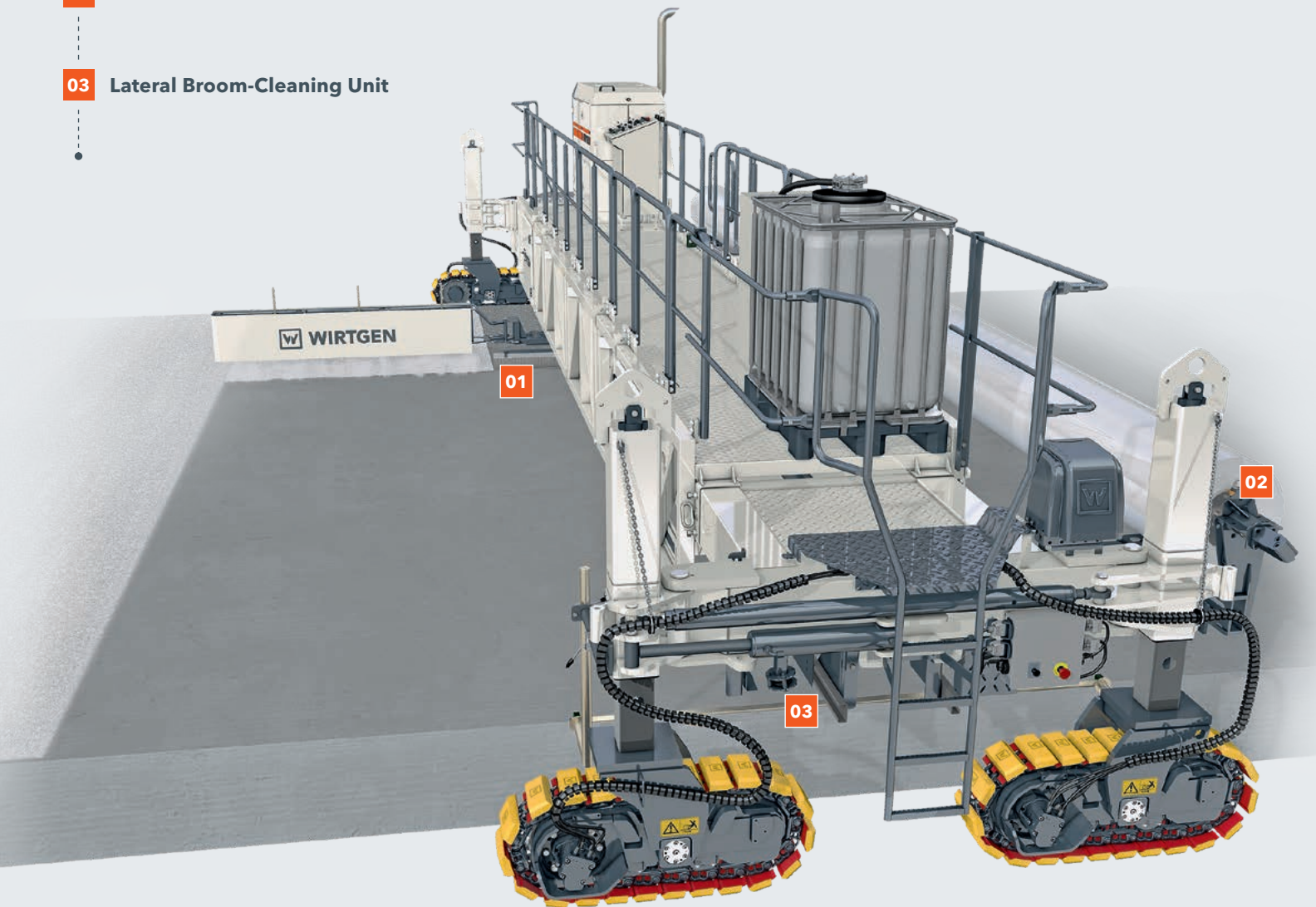
#### 06 Traction Drive Featuring Proportional Control

# HIGHLIGHTS IN CONCRETE CURING

**01** Optimized Transverse Broom Finish and  
Spraying Feature

**02** Film Unwinder

**03** Lateral Broom-Cleaning Unit



**Protection against Rain and Moisture**  
Film unwinder (Polyroll)

**Optimal Transverse Brushing**  
Brush cleaning system

### Optimized Transverse Broom Finish and Spraying Feature

The transverse carriage guide has been improved to achieve more accurate broom finish and spraying results.

### Mounting Rail for Burlap or Artificial Turf

A mounting rail for burlap or artificial turf permits the creation of a surface texture offering excellent skid resistance.

### Film Unwinder

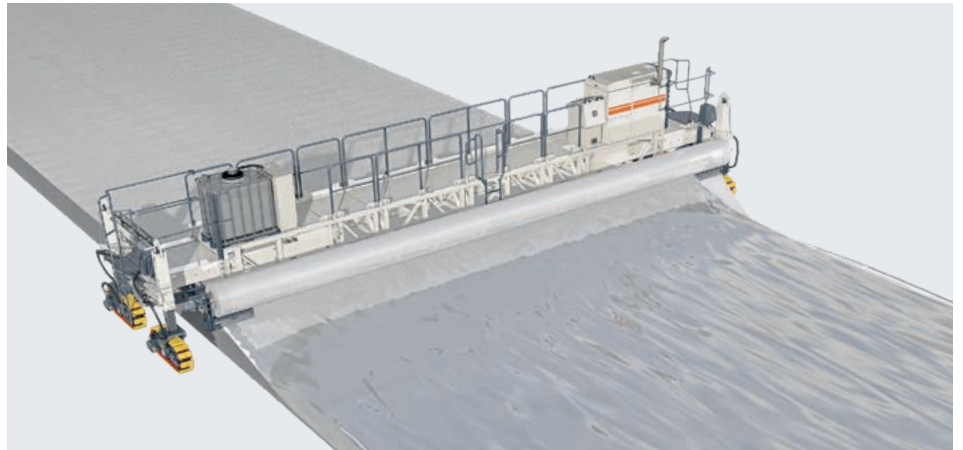
A mounting fixture for unwinding a full-width film enables the freshly paved concrete surface to be protected against damage caused by heavy rain.

### Lateral Broom-Cleaning Unit

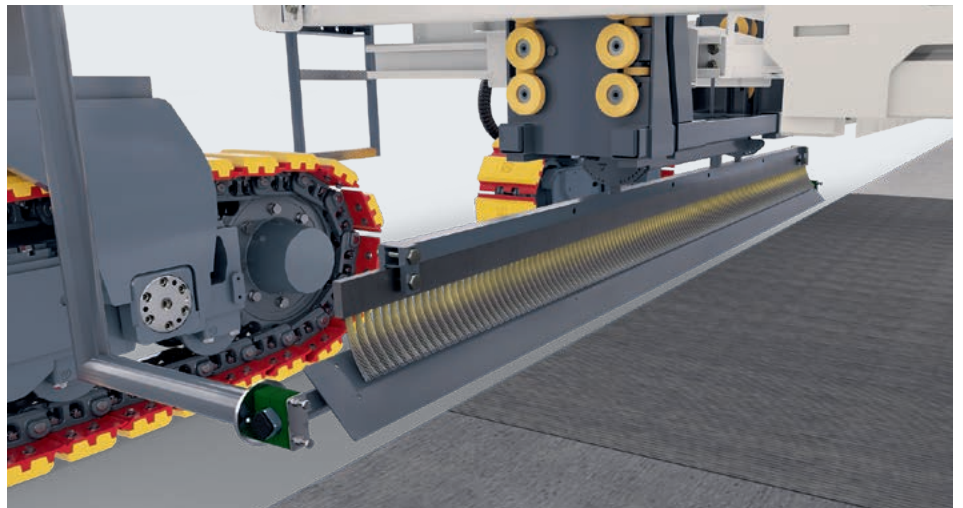
During the change in direction, the broom-cleaning unit removes the slurry sticking to the broom when applying a transverse broom finish. The inclination of the broom can be adjusted to requirements prior to being placed on the concrete surface.



Mounting rail for burlap or artificial turf



Film unwinder for effective protection of the concrete in case of rain.



The broom-cleaning unit removes slurry sticking to the broom.

# HIGHLIGHTS IN CONCRETE CURING

## Wide Variety of Functions

Extensive range of texturing and spraying modes

## High Machine Utilization Rates

Fast reconfiguration when switching applications

**01** Minor Modification Requirements when Switching Applications

**02** Spray Head with Three Spray nozzles

**03** Selection Feature for Longitudinal or Transverse Spraying

**04** Selection Feature for Longitudinal or Transverse Broom Finish



### Diagonal Broom Finish and Spraying Feature

The texture curing machine is capable of applying a diagonal broom finish and spraying diagonally across the concrete slab in a single operation.

### Meander Spraying Feature

The texture curing machine is capable of spraying across the full width of the concrete slab evenly in transverse direction during continuous forward travel. The meander spraying feature additionally permits exposed aggregate concrete construction which is used quite frequently in Europe.

### Minor Modification Requirements when Switching Applications

When switching between the different spraying and broom finish features, modification is completed quickly by well-trained staff.

### Spray Head with Three Spray Nozzles

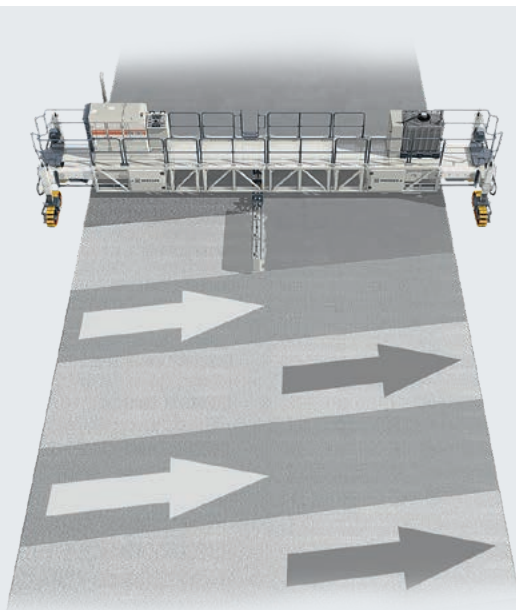
All spray heads are fitted with three separate spray nozzles each in order to minimize breaks in operation during longitudinal spraying in case of a nozzle failure.

### Selection Feature for Longitudinal or Transverse Spraying

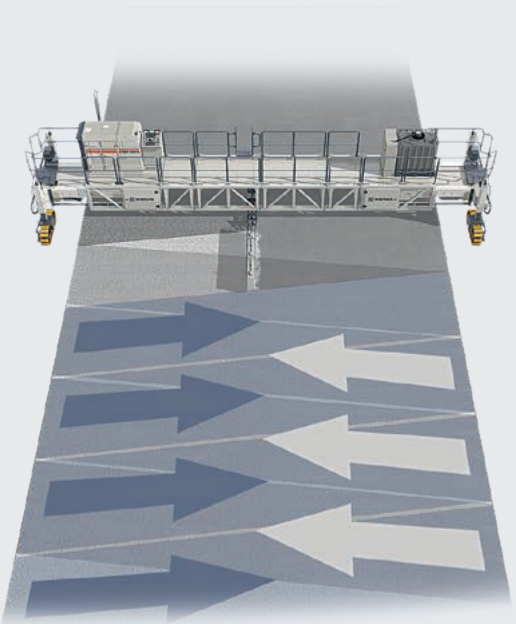
The texture curing machine is capable of spraying in longitudinal or transverse direction of the concrete slab in accordance with site requirements. Both modes of operation include spraying of the lateral concrete edges.

### Selection Feature for Longitudinal or Transverse Broom Finish

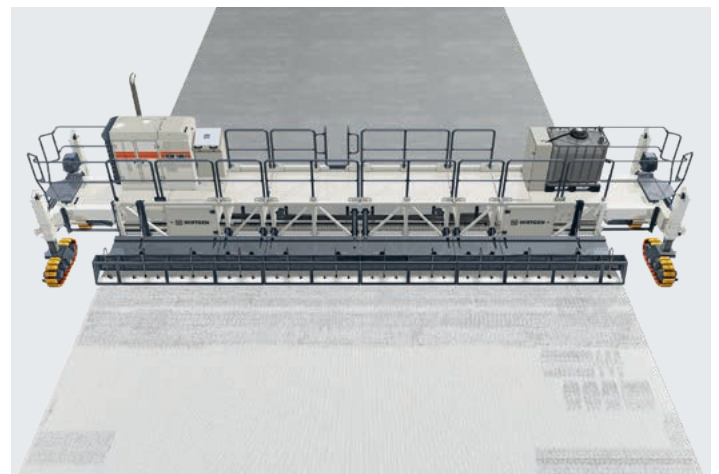
The texture curing machine is capable of applying a broom finish in longitudinal or transverse direction of the concrete slab in accordance with site requirements.



Diagonal broom finish and spraying feature



Meander spraying feature



Applying a broom finish and spraying in longitudinal direction broadens the range of options to produce different surface textures.

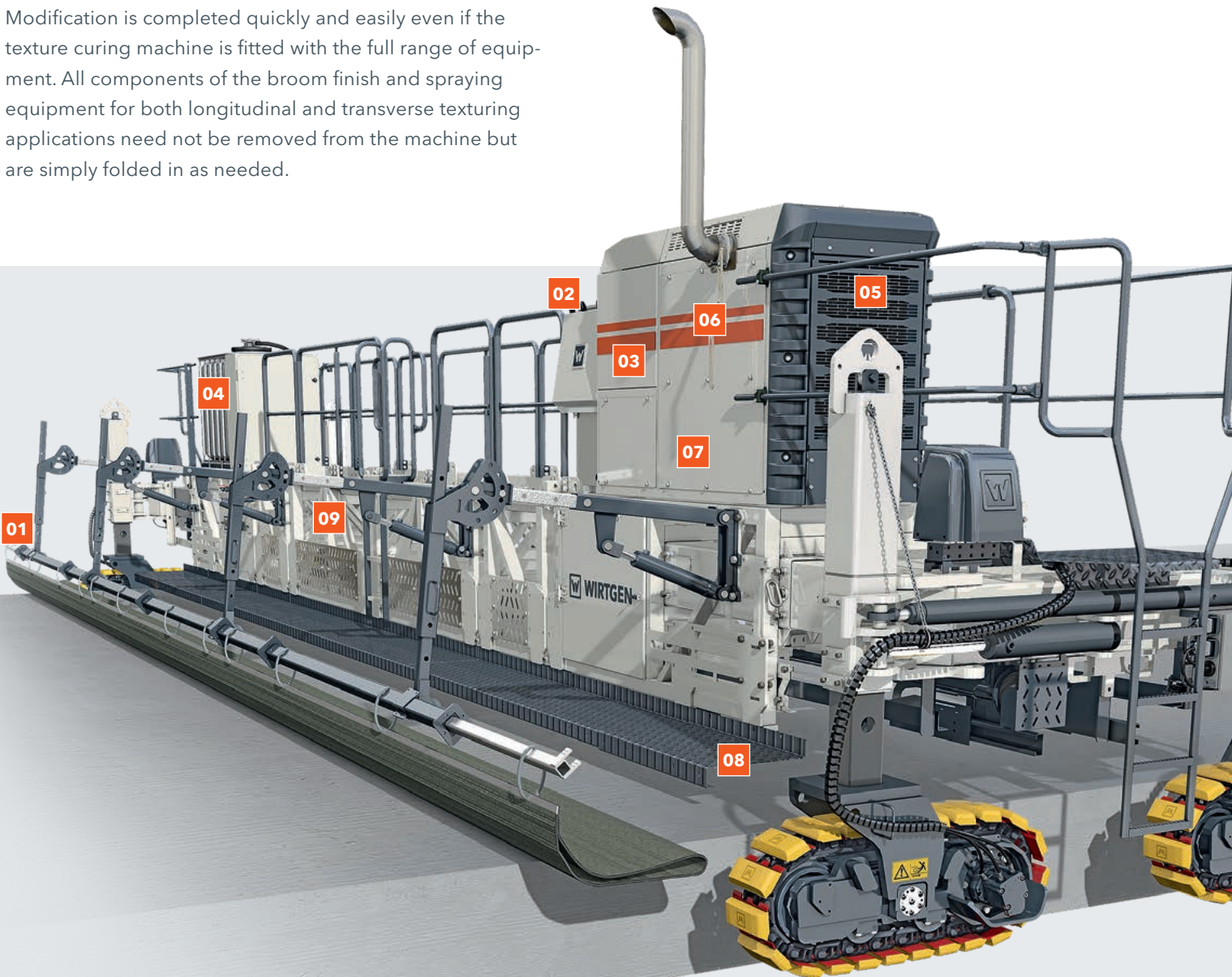
# HIGHLIGHTS IN PERFORMANCE AND PRODUCTIVITY

## Ease of Transport

All components required for operation can be adjusted so as to be within the maximum permissible transport dimensions.

## Minimum Modification Requirements

Modification is completed quickly and easily even if the texture curing machine is fitted with the full range of equipment. All components of the broom finish and spraying equipment for both longitudinal and transverse texturing applications need not be removed from the machine but are simply folded in as needed.



**Efficient Cleaning of Spraying System**

Hot-water heater

**Fast Relocation to Next Job**

Easy transportation

### Automated Features

The machine control system relieves the operator of a part of his workload by automatically controlling, for example, traction drive, steering and height adjustment, as well as the broom finish and spraying operation.

### Diesel Particulate Filter (TCM 95i / TCM 180i)

The optional diesel particulate filter ensures compliance with even stricter exhaust emission requirements.

### Hot-Water Heating

The integrated heating system produces hot water which is stored in a 90-litre tank. The wax-based curing compound adhering to the pipelines can then be removed and the spray system cleaned economically with water heated to up to 60°C by simply pressing a button and turning two ball valves.

### ECO Mode and Engine Cooling (TCM 95i / TCM 180i)

The effective ECO mode engine control system teams up with the temperature-controlled fan speed to ensure quiet, fuel-efficient operation.

### Two Engine Models

The diesel engine installed in the TCM 95 / TCM 180 complies with exhaust emission standards EU Stage 3a / US EPA Tier 3; the diesel engine installed in the TCM 95i / TCM 180i complies with the strict requirements of the currently highest exhaust emission standards EU Stage 5 / US EPA Tier 4f.

### Ease of Maintenance

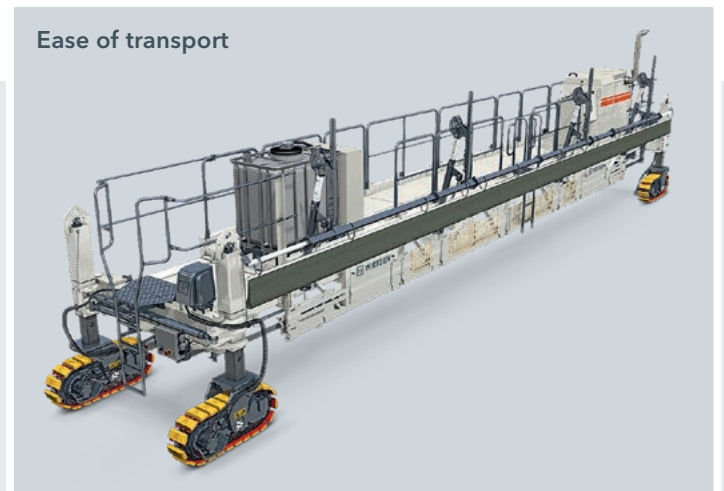
Ready access to all maintenance and monitoring points minimizes maintenance requirements.

### Aluminum Working Platform

The working platform of high-quality aluminum impresses with low weight and good slip resistance. The platform is available in wide or narrow design.

### Practical Supports

Two separate supports facilitate modification of the machine on site.



Ease of transport

- 01 Minimum Modification Requirements
- 02 Automated Features
- 03 Diesel Particulate Filter
- 04 Hot-Water Heating
- 05 ECO Mode and Engine Cooling
- 06 Two Engine Models
- 07 Ease of Maintenance
- 08 Aluminium Working Platform
- 09 Practical Supports

The modular machine design allows it to be adapted to working widths between 4.0 m and 9.5 m (TCM 95(i)) or 4.0 m and 18.0 m (TCM 180(i)). The self-propelled texture curing machine produces the desired surface textures on the freshly paved concrete surface. The automated spraying system with a high-capacity storage tank efficiently distributes the dispersion and protects the concrete surface from premature drying.



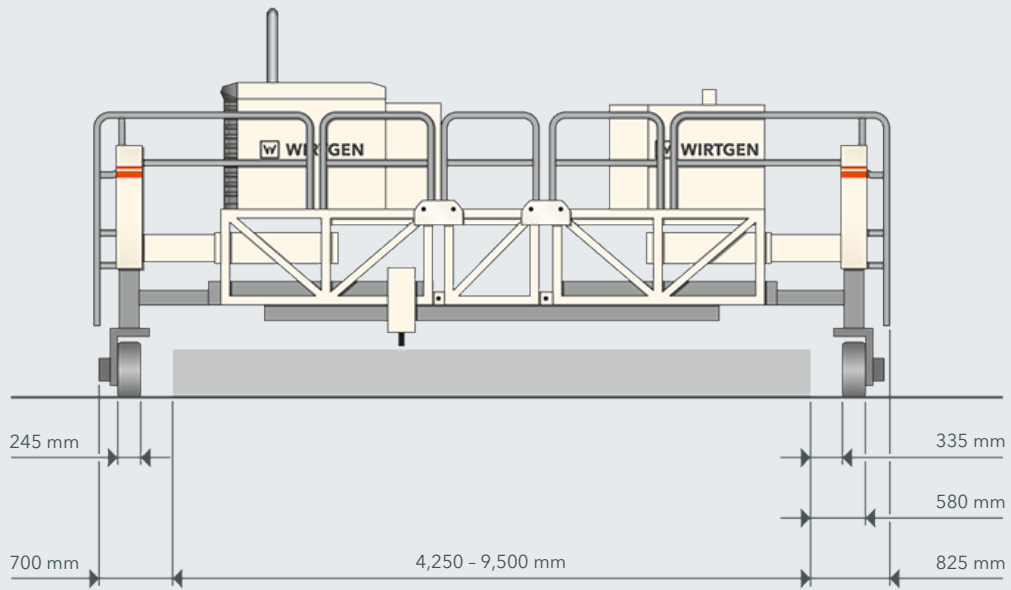
TECHNICAL SPECIFICATIONS	TCM 95	TCM 180	TCM 95 i	TCM 180 i
Working width max.	9,500 mm	18,000 mm	9,500 mm	18,000 mm
Working height	0 to 500 mm			
<b>Engine</b>				
Engine manufacturer	Deutz		Deutz	
Type	D 2011 L04 i		TCD 2.9 L4	
Cooling	Air / oil		Water	
Number of cylinders	4		4	
Rated power at 2,300 rpm	41 kW / 55 HP / 56 PS		45 kW / 60 HP / 61 PS	
Displacement	3,620 cm <sup>3</sup>		2,925 cm <sup>3</sup>	
Fuel consumption, full load	12.5 l/h		15.7 l/h	
Fuel consumption, <sup>2</sup> / <sub>3</sub> load	8.3 l/h		10.5 l/h	
Exhaust emission standards	EU Stage 3a / US EPA Tier 3		EU Stage 5 / US EPA Tier 4f	
<b>Electrical system</b>				
Voltage supply	24 V			
<b>Filling capacities</b>				
Fuel	130 l			
Hydraulic oil	120 l			
Curing compound	800 l			
<b>Spraying system</b>				
Spraying pump max.	23 l/min			
Filling pump max.	114 l/min			
<b>Driving performance</b>				
Travel gear	0 - 45 m/min	0 - 33 m/min	0 - 45 m/min	0 - 33 m/min



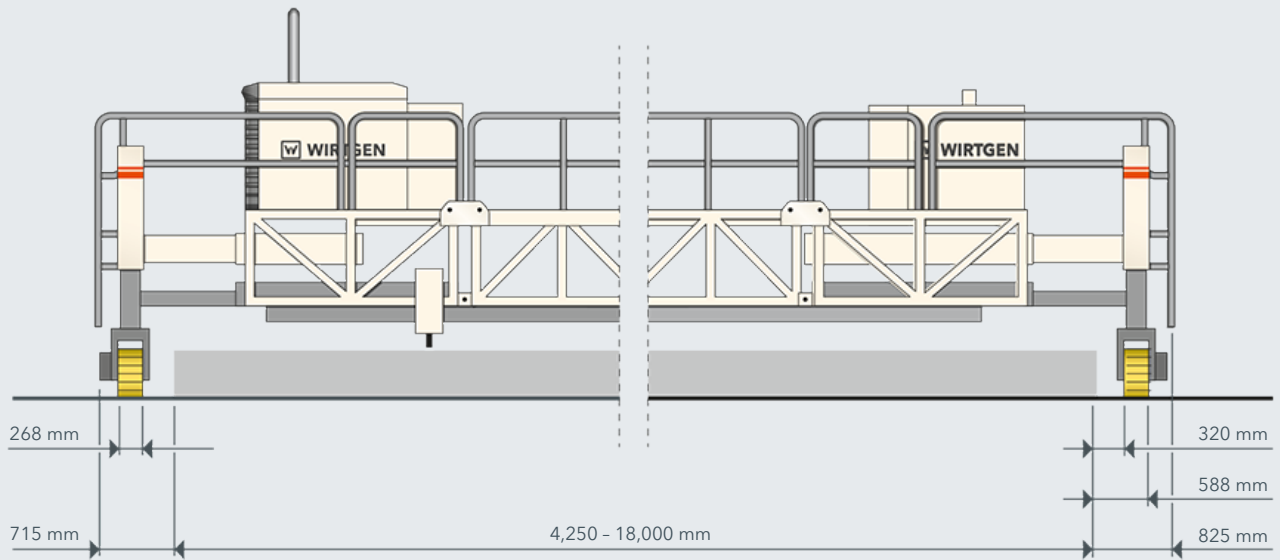
TECHNICAL SPECIFICATIONS	TCM 95	TCM 180	TCM 95 i	TCM 180 i
<b>Tyres</b>				
Type of tyres	Solid rubber	–	Solid rubber	–
Tyre size	23/10.1 R 12	–	23/10.1 R 12	–
Number of wheels	4	–	4	–
<b>Track units</b>				
Dimensions (L x W x H)	–	1,340 x 268 x 560 mm	–	1,340 x 268 x 560 mm
Number of track units	–	4	–	4
<b>Height adjustment</b>				
Height adjustment (hydraulic)	620 mm			
<b>Transport dimensions</b>				
Min. machine dimensions (L x W x H)	6,150 x 2,500 x 2,700 mm	6,650 x 2,500 x 2,700 mm	6,150 x 2,500 x 2,700 mm	6,650 x 2,500 x 2,700 mm
Max. machine dimensions (L x W x H)	10,150 x 2,500 x 2,950 mm	18,650 x 2,500 x 2,950 mm	10,150 x 2,500 x 2,950 mm	18,650 x 2,500 x 2,950 mm
<b>Machine weights</b>				
Operating weight, CE <sup>1)</sup>	7,100 kg – 11,800 kg	8,400 kg – 19,200 kg	7,100 kg – 11,800 kg	8,400 kg – 19,200 kg

<sup>1)</sup> Weight of machine, half weight of all operating materials, on-board tools, machine operator (75 kg), no optional equipment features

REAR VIEW TCM 95(i)

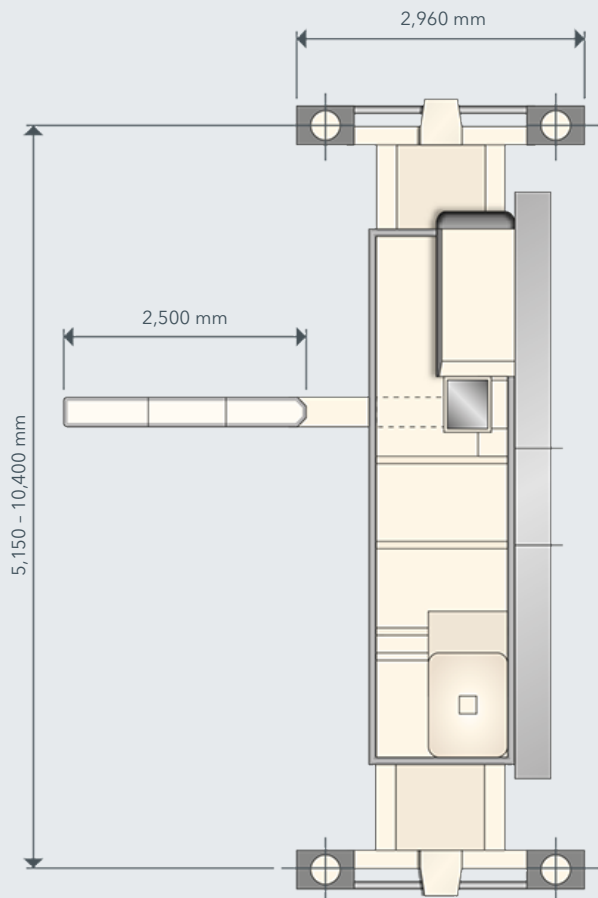


## REAR VIEW TCM 180(i)

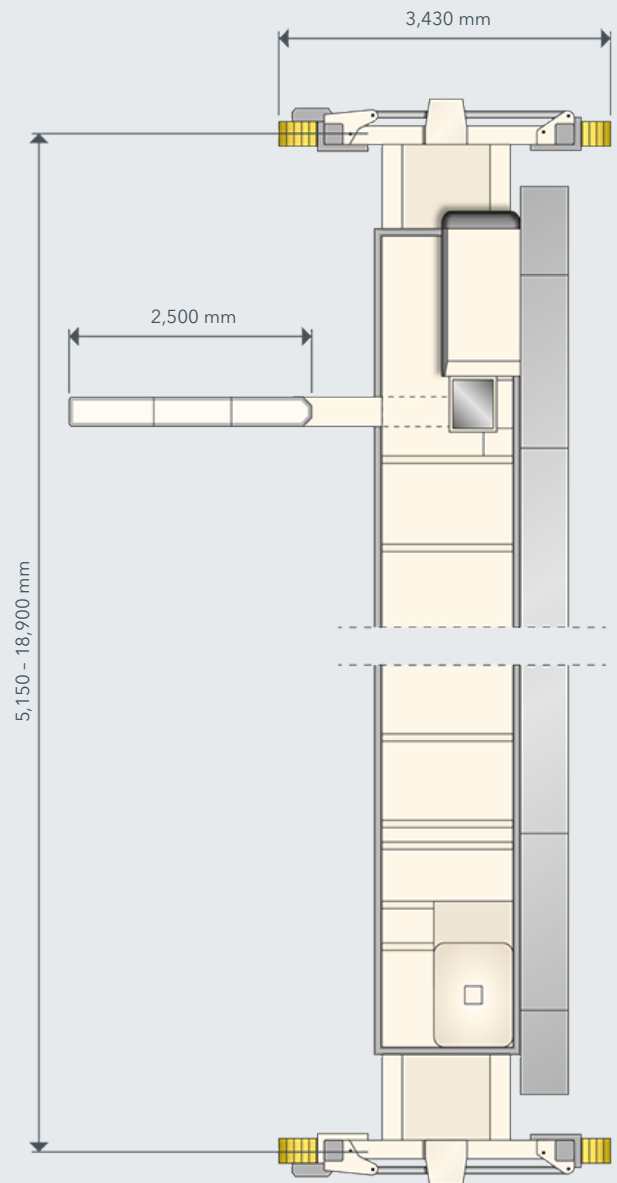


TOP VIEW TCM 95(i) / TCM 180(i)

TCM 95 / TCM 95i



TCM 180 / TCM 180i

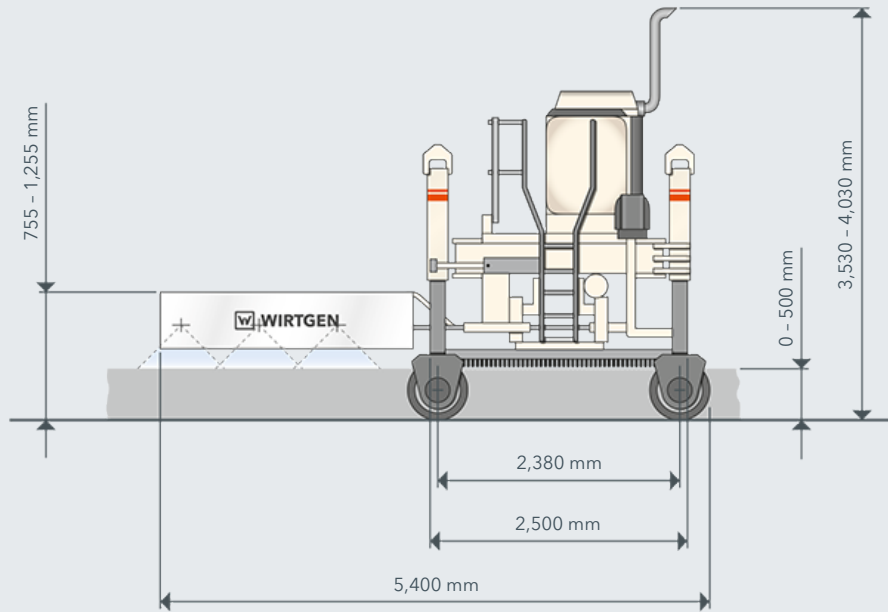


Direction of operation



SIDE VIEW TCM 95 (i) / TCM 180 (i)

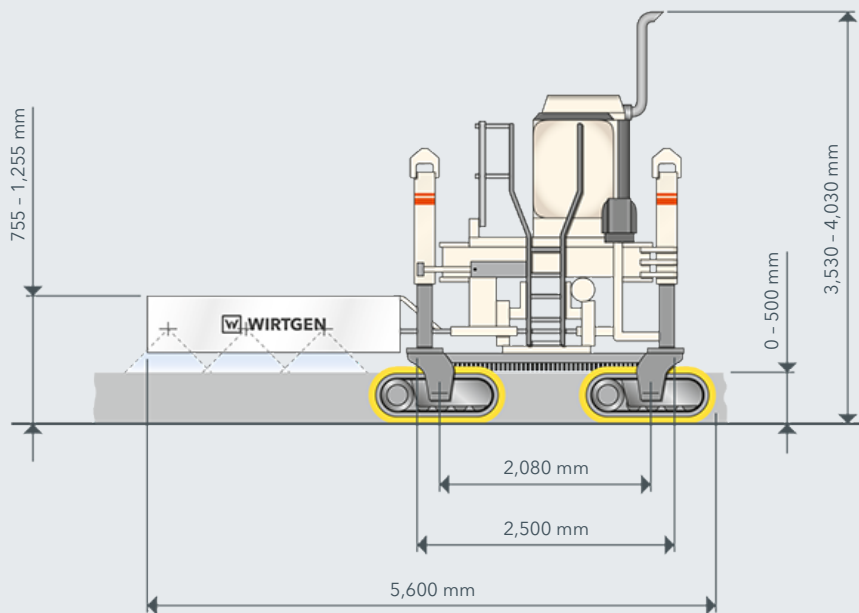
TCM 95 / TCM 95i



Direction of operation



TCM 180 / TCM 180i



STANDARD EQUIPMENT	TCM 95	TCM 180	TCM 95 i	TCM 180 i
<b>Basic Machine</b>				
> Engine station complying with emission standards EU Stage 3a / US Tier 3	■	■	—	—
> Engine station with exhaust after-treatment by diesel oxidation catalyst DOC (US EPA Tier 4f)	—	—	■	■
> Engine station with exhaust after-treatment by diesel oxidation catalyst DOC and diesel particulate filter DPF (EU Stage 5)	—	—	■	■
> Separate hydraulic oil cooler	■	■	—	—
> Fuel tank, 130 l	■	■	■	■
> Hydraulic oil tank, 120 l	■	■	■	■
> Electrical system (24 V)	■	■	■	■
> Pressure-and-flow-controlled hydraulic pump in the open circuit for traction drive, agitator drive and spraying and broom unit drives	■	■	■	■
> Pressure-controlled pump, open circuit, for all cylinder functions	■	■	■	■
<b>Main Frame and Height Adjustment</b>				
> Heavy-duty framework design for working widths from 4.00 m to 6.00 m by telescoping the frame by 1.00 m each, left and right	■	■	■	■
> Working widths of up to 9.50 m are possible using extension elements	■	—	■	—
> Working widths of up to 18.00 m are possible using extension elements	—	■	—	■
<b>Crawler Units and Chassis Linkage</b>				
> Side parts left and right for connecting 4 wheels, including transport steering feature (longitudinal or transverse transport possible)	■	—	■	—
> Side parts left and right for connecting 4 track units, including transport steering feature (longitudinal or transverse transport possible)	—	■	—	■
> Four hydraulically driven wheels, diameter 0.58 m, width 0.23 m, gear ratio 1:40	■	—	■	—
> Four track units fitted with triple-grouser steel track pads	□	□	□	□
> Working speed: 0 - 22 m/min; Transport speed: 0 - 45 m/min	■	—	■	—
> Working speed: 0 - 15 m/min; Transport speed: 0 - 33 m/min	—	■	—	■

STANDARD EQUIPMENT	TCM 95	TCM 180	TCM 95 i	TCM 180 i
<b>Machine Control, Leveling and Steering</b>				
> Machine control via central control panel with manual or automatic mode	■	■	■	■
> Four hydraulic leveling cylinders with a stroke of 0.62 m	■	■	■	■
<b>Equipment for Transverse / Longitudinal Texturing</b>				
> Transverse drive and carriage for broom and spraying unit	□	□	□	□
> Transverse broom, plastic, 2.50 m long	□	□	□	□
> Transverse spraying unit, 2.50 m long, with tank and pump	□	□	□	□
<b>Miscellaneous</b>				
> Pre-fitting for installing the WITOS FleetView control unit	■	■	■	■
> Standard painting in RAL 9001 (cream)	□	□	□	□
> WITOS - professional telematics solution for machine operation and service optimization	□	□	□	□
> Lighting system including 4 halogen working lights, 24 V	□	□	□	□

- = Standard equipment  
 □ = Standard equipment, can be replaced with optional equipment if desired  
 □ = Optional equipment

OPTIONAL EQUIPMENT	TCM 95	TCM 180	TCM 95 i	TCM 180 i
<b>Main Frame and Height Adjustment</b>				
> 2 m frame extension element including aluminum walkway with windows	<input type="checkbox"/>	<input type="checkbox"/>	<input type="checkbox"/>	<input type="checkbox"/>
> 1 m frame extension element including aluminum walkway with windows	<input type="checkbox"/>	<input type="checkbox"/>	<input type="checkbox"/>	<input type="checkbox"/>
> Two hydraulic cylinders for crown adjustment of the main frame	<input type="checkbox"/>	<input type="checkbox"/>	<input type="checkbox"/>	<input type="checkbox"/>
> Automatic crown adjustment	<input type="checkbox"/>	<input type="checkbox"/>	<input type="checkbox"/>	<input type="checkbox"/>
> Handrail - extension element for front and rear, 2.00 m	<input type="checkbox"/>	<input type="checkbox"/>	<input type="checkbox"/>	<input type="checkbox"/>
> Handrail and ladder - extension element, 2.00 m	<input type="checkbox"/>	<input type="checkbox"/>	<input type="checkbox"/>	<input type="checkbox"/>
> Handrail - extension element for front and rear, 1.00 m	<input type="checkbox"/>	<input type="checkbox"/>	<input type="checkbox"/>	<input type="checkbox"/>
> Handrail and ladder - extension element, 1.00 m	<input type="checkbox"/>	<input type="checkbox"/>	<input type="checkbox"/>	<input type="checkbox"/>
> Two supports for machine modification on site	<input type="checkbox"/>	<input type="checkbox"/>	<input type="checkbox"/>	<input type="checkbox"/>
> Dual hydraulic telescoping device for the main frame, left and right	<input type="checkbox"/>	<input type="checkbox"/>	<input type="checkbox"/>	<input type="checkbox"/>
<b>Crawler Units and Chassis Linkage</b>				
> Four track units with polyurethane track pads	—	<input type="checkbox"/>	—	<input type="checkbox"/>
<b>Machine Control, Leveling and Steering</b>				
> Leveling unit for automatic operation of the machine	<input type="checkbox"/>	<input type="checkbox"/>	<input type="checkbox"/>	<input type="checkbox"/>
> Two slab tracers	<input type="checkbox"/>	<input type="checkbox"/>	<input type="checkbox"/>	<input type="checkbox"/>
> Four slab tracers	<input type="checkbox"/>	<input type="checkbox"/>	<input type="checkbox"/>	<input type="checkbox"/>
> Two ultrasonic sensors including mounting brackets	<input type="checkbox"/>	<input type="checkbox"/>	<input type="checkbox"/>	<input type="checkbox"/>
> Four ultrasonic sensors including mounting brackets	<input type="checkbox"/>	<input type="checkbox"/>	<input type="checkbox"/>	<input type="checkbox"/>
> Six ultrasonic sensors including mounting brackets	<input type="checkbox"/>	<input type="checkbox"/>	<input type="checkbox"/>	<input type="checkbox"/>
<b>Equipment for Transverse / Longitudinal Texturing</b>				
> Transverse broom, flat wire, 3.00 m long	<input type="checkbox"/>	<input type="checkbox"/>	—	—
> Transverse spraying unit, 3.00 m long, with tank and pump	<input type="checkbox"/>	<input type="checkbox"/>	<input type="checkbox"/>	<input type="checkbox"/>
> Pre-fitting for longitudinal spraying with tank and pump	<input type="checkbox"/>	<input type="checkbox"/>	<input type="checkbox"/>	<input type="checkbox"/>
> Pre-fitting for attaching artificial turf and jute cloth for working width 4.00 m - 6.00 m	<input type="checkbox"/>	<input type="checkbox"/>	<input type="checkbox"/>	<input type="checkbox"/>
> Extension element for artificial turf / burlap mounting rail, 2.00 m	<input type="checkbox"/>	<input type="checkbox"/>	<input type="checkbox"/>	<input type="checkbox"/>
> Extension element for artificial turf / burlap mounting rail, 1.00 m	<input type="checkbox"/>	<input type="checkbox"/>	<input type="checkbox"/>	<input type="checkbox"/>
> Device for winding or unwinding a protective film on the front of the machine	<input type="checkbox"/>	<input type="checkbox"/>	<input type="checkbox"/>	<input type="checkbox"/>
> Pre-fitting for mounting a longitudinal broom	<input type="checkbox"/>	<input type="checkbox"/>	<input type="checkbox"/>	<input type="checkbox"/>
> Extension element for longitudinal broom mount, 2.00 m	<input type="checkbox"/>	<input type="checkbox"/>	<input type="checkbox"/>	<input type="checkbox"/>
> Extension element for longitudinal broom mount, 1.00 m	<input type="checkbox"/>	<input type="checkbox"/>	<input type="checkbox"/>	<input type="checkbox"/>
Longitudinal spraying unit for working width 4.00 - 6.00 m behind the machine	<input type="checkbox"/>	<input type="checkbox"/>	<input type="checkbox"/>	<input type="checkbox"/>
> Extension for longitudinal spraying unit, 2.00 m	<input type="checkbox"/>	<input type="checkbox"/>	<input type="checkbox"/>	<input type="checkbox"/>
> Extension for longitudinal spraying unit, 1.00 m	<input type="checkbox"/>	<input type="checkbox"/>	<input type="checkbox"/>	<input type="checkbox"/>
> Control panel for longitudinal texturing, longitudinal spraying and film unwinder	<input type="checkbox"/>	<input type="checkbox"/>	<input type="checkbox"/>	<input type="checkbox"/>



OPTIONAL EQUIPMENT	TCM 95	TCM 180	TCM 95 i	TCM 180 i
<b>Additional Options for Brushing And Spraying</b>				
> Agitator in the curing compound tank	<input type="checkbox"/>	<input type="checkbox"/>	<input type="checkbox"/>	<input type="checkbox"/>
> Hydraulically driven filling pump for curing compound tank	<input type="checkbox"/>	<input type="checkbox"/>	<input type="checkbox"/>	<input type="checkbox"/>
> Water heating system for cleaning the spraying system	<input type="checkbox"/>	<input type="checkbox"/>	<input type="checkbox"/>	<input type="checkbox"/>
> Extended machine functionality for automatic diagonal broom finish and diagonal spraying	<input type="checkbox"/>	<input type="checkbox"/>	<input type="checkbox"/>	<input type="checkbox"/>
> Extended machine functionality for automatic meander spraying	<input type="checkbox"/>	<input type="checkbox"/>	<input type="checkbox"/>	<input type="checkbox"/>
> Broom scraper and inclination unit for the transverse broom	<input type="checkbox"/>	<input type="checkbox"/>	<input type="checkbox"/>	<input type="checkbox"/>
> Mounting bracket for holding up to two additional curing compound tanks (800 l or 1,000 l)	<input type="checkbox"/>	<input type="checkbox"/>	<input type="checkbox"/>	<input type="checkbox"/>
> Mounting bracket for holding one additional curing compound tank, 800 l	<input type="checkbox"/>	<input type="checkbox"/>	<input type="checkbox"/>	<input type="checkbox"/>
<b>Operator's Platform</b>				
> Weather umbrella for operator's platform	<input type="checkbox"/>	<input type="checkbox"/>	<input type="checkbox"/>	<input type="checkbox"/>
> Weather canopy for operator's platform	<input type="checkbox"/>	<input type="checkbox"/>	<input type="checkbox"/>	<input type="checkbox"/>
> Operator's platform including stand-up seat	<input type="checkbox"/>	<input type="checkbox"/>	<input type="checkbox"/>	<input type="checkbox"/>
> Rigid working platform, walkway width 0.50 m, basic width 4.00 m - 6.00 m	<input type="checkbox"/>	<input type="checkbox"/>	<input type="checkbox"/>	<input type="checkbox"/>
> Working platform extension element 2.00 m, matching walkway width 0.50 m	<input type="checkbox"/>	<input type="checkbox"/>	<input type="checkbox"/>	<input type="checkbox"/>
> Working platform extension element 1.00 m, matching walkway width 0.50 m	<input type="checkbox"/>	<input type="checkbox"/>	<input type="checkbox"/>	<input type="checkbox"/>
> Hydraulically folding working platform, walkway width 1.20 m, basic width 4.00 m - 6.00 m	<input type="checkbox"/>	<input type="checkbox"/>	<input type="checkbox"/>	<input type="checkbox"/>
> Working platform extension element 2.00 m, matching walkway width 1.20 m	<input type="checkbox"/>	<input type="checkbox"/>	<input type="checkbox"/>	<input type="checkbox"/>
> Working platform extension element 1.00 m, matching walkway width 1.20 m	<input type="checkbox"/>	<input type="checkbox"/>	<input type="checkbox"/>	<input type="checkbox"/>
<b>Miscellaneous</b>				
> Painting in one special color (RAL)	<input type="checkbox"/>	<input type="checkbox"/>	<input type="checkbox"/>	<input type="checkbox"/>
> Painting in two special colors (RAL)	<input type="checkbox"/>	<input type="checkbox"/>	<input type="checkbox"/>	<input type="checkbox"/>
> Model without WITOS	<input type="checkbox"/>	<input type="checkbox"/>	<input type="checkbox"/>	<input type="checkbox"/>
> High-performance lighting system including 4 LED working lights, 24 V	<input type="checkbox"/>	<input type="checkbox"/>	<input type="checkbox"/>	<input type="checkbox"/>
> Two LED floodlights including power generator (230 V)	<input type="checkbox"/>	<input type="checkbox"/>	<input type="checkbox"/>	<input type="checkbox"/>
> Two LED floodlights including power generator (110 V)	<input type="checkbox"/>	<input type="checkbox"/>	<input type="checkbox"/>	<input type="checkbox"/>
> 230 volt power generator, hydraulically driven, rated power of 4 kW.	<input type="checkbox"/>	<input type="checkbox"/>	<input type="checkbox"/>	<input type="checkbox"/>
> 110 volt power generator, hydraulically driven, rated power of 4 kW.	<input type="checkbox"/>	<input type="checkbox"/>	<input type="checkbox"/>	<input type="checkbox"/>
> Hydraulically driven crane system	<input type="checkbox"/>	<input type="checkbox"/>	<input type="checkbox"/>	<input type="checkbox"/>
> Machine commissioning (day rate)	<input type="checkbox"/>	<input type="checkbox"/>	<input type="checkbox"/>	<input type="checkbox"/>
> Export packaging	<input type="checkbox"/>	<input type="checkbox"/>	<input type="checkbox"/>	<input type="checkbox"/>

■ = Standard equipment

■ = Standard equipment, can be replaced with optional equipment if desired

□ = Optional equipment

**WIRTGEN GmbH**

Reinhard-Wirtgen-Str. 2  
53578 Windhagen  
Germany

T: +49 2645 131-0  
F: +49 2645 131-392  
M: info@wirtgen.com

 [www.wirtgen.de](http://www.wirtgen.de)



For further information, please scan the code.