

SUPER 1300-3(i)

Tracked Paver



PERFECT IN ALL CLASSES

The right paver for every job

VÖGELE's seamless product range is considered unique in the industry. Whether the project involves a service road or a motorway, an airfield or a race track, a new construction or a rehabilitation job, thick or thin, hot or cold - customers will find the right machine for every paving task in our paver range.



VÖGELE PRODUCT RANGE

MINI CLASS

- > Maximum pave width 3.5 m
- > Maximum laydown rate 300 t/h

COMPACT CLASS

- > Maximum pave width 5 m
- > Maximum laydown rate 350 t/h

UNIVERSAL CLASS

- > Maximum pave width 10 m
- > Maximum laydown rate 700 t/h

HIGHWAY CLASS

- > Maximum pave width 18 m
- > Maximum laydown rate 1800 t/h

SPECIAL CLASS

- > SprayJet
- > InLine Pave

POWERFEEDER

- > MT 3000-3(i) Standard
- > MT 3000-3(i) Offset

HIGHLIGHTS

Perfectly equipped

DRIVE

01 Drive concept

> Powerful and economical drive concept with a state-of-the-art diesel engine.

MATERIAL MANAGEMENT

02 Optimum mix feed

> Large material hopper with a capacity of 10 tonnes ensures optimum feeding with mix.

03 PaveDock Assistant

> Facilitates communication during transfer of mix.

OPERATION

04 ErgoPlus 3 operating system

> ErgoPlus 3 operating system with numerous convenient and automatic functions.

05 AutoSet Basic

> AutoSet Basic function for quick, safe repositioning of the paver on the job site.

QUALITY

06 Niveltronic Plus - the System for Automated Grade and Slope Control

> Fully integrated system perfectly matched to the machine technology of VÖGELE road pavers.

> Wide range of sensors for flexible use in all fields of application.

> User-friendly operation and monitoring of all Niveltronic Plus functions.

VERSATILITY

07 Wide range of applications

> Tracked Compact Class paver with a wide range of applications and pave widths up to 5 m.

08 Extending Screed

> AB 340 Extending Screed ensures a perfect paving result.





01



02



03



04



05



06

COMPACT AND POWERFUL

The SUPER 1300-3(i) is a highly versatile paver of the Compact Class; its small size enables it to handle a wide range of highly varied surfacing tasks including combined footpaths and cycle paths, farm track applications or minor roadways.

With pave widths extending from just 0.75 m to 5 m, the SUPER 1300-3(i) gets all these jobs done with ease. The powerhouse is driven by a modern diesel engine rated at 74.4 kW.

The VÖGELE ErgoPlus 3 operating system has been supplemented by numerous ergonomic and functional features.

The paver operator's console, for example, comes with a large colour display which provides brilliant readability even in poor lighting conditions.

PaveDock Assistant and the AutoSet Basic repositioning function facilitate working with this compact powerhouse.

The paver can be combined with an AB 340 Extending Screed for superb compaction. Heated electrically like all VÖGELE screeds, it raises standards in terms of performance and efficient utilization of electrical power.



01 ErgoPlus 3 operating system with numerous convenient and automatic functions.
02 Tracked paver with a large range of applications.
03 The slim design and compact overall length of this paver make it very easy to work and to manoeuvre on tight job sites.

04 The paver operator's platform ensures maximum visibility.
05 Large material hopper for optimum feeding with mix.
06 AB 340 Extending Screed ensures a perfect paving result.

THE RIGHT PAVER FOR JOBS IN TIGHT SPACES

Not one component on the SUPER 1300-3(i) protrudes beyond its slim silhouette. With the hopper sides folded, its basic width comes to no more than 1.85 m. As a result, it can be driven nearly anywhere and fit through almost any gap. For passing through narrow spaces, the push-rollers fold together with the hopper sides.

The slim paver design with no protruding edges and an overall length of max. 4.95 m makes the machine ideal for easy paving and manoeuvring in tight corners. Yet it can still pave a width of up to 5 m. No other paver in its class can match this.



Slim paver design
and compact total length of just 4.95 m

Clearance width 1.85 m
with hopper sides folded



The hardtop of glass fibre-reinforced polymer material, including exhaust pipe, folds down with effortless ease, preparing the paver for transport quickly and easily.



PERFECT IN MANY AREAS OF APPLICATION

With its compact dimensions and high power, the VÖGELE Compact Class of pavers delivers a wide range of different applications. Whether dealing with combined footpaths and cycle paths, farm tracks or minor roads and squares, the SUPER 1300-3(i)'s wide range of pave widths from 0.75 m to 5 m and high engine output enable it to master any task job with ease.



01 Asphalt paving on combined footpaths and cycle paths

02 Pavement rehabilitation on municipal roads

03 Asphalt paving on railway platforms

04 Pavement rehabilitation on access roads

The applications illustrated here are typical for the VÖGELE Compact Class. Illustrations may also show the predecessor model.

FULL POWER, INTELLIGENT TECHNOLOGY

High output with low consumption

Three main components define the power unit of a SUPER 1300-3(i): its modern, liquid-cooled diesel engine, a splitter gearbox flanged directly to the engine and a large cooler assembly.

The driving force in this VÖGELE powerpack is its powerful diesel engine. The four-cylinder engine delivers 74.4 kW at 2,000 rpm, though fuel-saving ECO mode is sufficient for many applications. And even then, the SUPER 1300-3(i) still has a full 68.7 kW at its disposal. Moreover, the machine generates even less noise when running at just 1,600 rpm.

A large cooler assembly ensures that the power unit always delivers its full output. With innovative air routing and a variable-speed fan, temperatures are continuously maintained within the optimum range, significantly extending the service

life of both the diesel engine and the hydraulic oil. A further advantage is that the machine can operate without difficulty in all climate regions worldwide.

All hydraulic consumers are directly supplied with hydraulic oil by the splitter gearbox. Hydraulic pumps and valves are centrally located, making them ideally accessible for servicing.

74.4 kW

diesel engine output

ECO mode at 1,600 rpm

reduces operating costs

Intelligent generator management

adapts output to suit pave width



- = Hydraulic oil cooler
- = Fuel cooler
- = Coolant cooler
- = Charge air cooler

VÖGELE > GOOD TO KNOW

Exhaust emissions aftertreatment on "i" machines

On the engine of the SUPER 1300-3i, exhaust emissions aftertreatment is provided by the diesel oxidation catalyst (DOC), a diesel particulate filter (DPF) and a selective catalytic reduction (SCR) catalytic converter, so engines of the "i" machines satisfy the strict requirements of European exhaust emissions standard Stage V.

For less regulated markets, a variant without exhaust emissions aftertreatment is available. This corresponds to European exhaust emissions standard stage 3a and US standard EPA Tier 3.

EFFICIENT TRANSLATION OF TRACTIVE POWER

Their high-quality separate hydraulic drives allow our pavers to operate exceedingly cost-efficiently, achieving a high level of performance. With its powerful crawler tracks, the SUPER 1300-3(i) easily pushes heavy feed vehicles and advances well, even on soft bases, when paving in large widths. The VÖGELE drive concept for tracked pavers leaves nothing to be desired in terms of traction, either.

The hydraulic systems for the traction drive, conveyors and augers, as well as for the compacting systems, all operate in separate closed circuits for maximum efficiency.

- > Long crawler tracks with significant ground contact provide for maximum tractive effort, allowing the paver to make good progress at a constant speed, even when operating on difficult terrain.
- > Positive tracking when moving straight ahead and accurate cornering are achieved through the provision of separate drive and electronic control for each crawler track.
- > Powerful separate drives fitted into the sprockets for crawler tracks translate engine output into pave speed with maximum efficiency.

Powerful separate drives
fitted into the sprockets

Positive tracking when moving straight ahead
with electronic control of each crawler track



PERFECT MATERIAL MANAGEMENT FOR PERFECT PAVING QUALITY

A continuous flow of mix is key to ensuring uninterrupted, high-quality paving, which is why we attach such importance to professional material management when designing our pavers.

All our development efforts focus on simple operation and the best possible overview for the paving team.

When it becomes difficult to feed the paver with mix on narrow job sites, the large capacity of the SUPER 1300-3(i)'s material hopper ensures that an optimum amount of mix is still supplied in front of the screed. Separately folding hydraulic hopper sides guarantee consistent feeding with mix, even when paving in asymmetrical widths. They enable the SUPER 1300-3(i) to pave smoothly along boundaries such as walls.

The large material hopper with a capacity of 10 t is dimensioned to store a sufficient quantity of mix at all times, with no problem tiding over difficult situations such as paving under bridges, for instance.

A hydraulically operated hopper front (option) ensures that no mix is spilled when feed trucks change. Inside the material hopper, the mix is directed right onto the conveyors for complete emptying, so no manual work with shovels is required. Oscillating push-rollers allow even large feed vehicles to dock conveniently and without jolting.



01

- 01** An amply dimensioned conveyor tunnel and powerful, separate hydraulic drives provided for its conveyors and augers enable the SUPER 1300-3(i) to achieve laydown rates of up to 350 t/h, an extraordinarily high performance for a paver in this class.
- 02** Separate drive and control is installed for each conveyor and each auger. When operating in Automatic mode, conveyors and augers are subject to continual monitoring. Proportional control provides for a constant head of mix in front of the screed.
- 03** Folding limiting plates for the auger tunnel are provided to set up the machine quickly for paving in the range between 2.6 m and 4.2 m. There is no need for conversion.



02



03



The conveying and spreading of mix in front of the screed is perfect as a result of the generous conveyor tunnel, proportional control of conveyors and powerful augers. Furthermore, augers adjustable in height by 13 cm and

folding limiting plates for the auger tunnel allow the paver to be moved on the job site without the need for conversion, saving time and money.

VÖGELE > GOOD TO KNOW

Adjustable auger height

The height of the auger - complete with bearing boxes and limiting plates for the auger tunnel - can be manually adjusted by up to 13 cm across full pave width. This optimizes the head of mix in front of the screed, even when paving thin layers or when layer thickness within a paving section varies.

The AutoSet Basic option allows the auger to be moved to transport position hydraulically at the touch of a button and, following repositioning, to be returned to the previously set height in exactly the same way.



Large material hopper
with a capacity of 10 tonnes

Deep and wide hopper sides
for especially straight forward material feed

Oscillating push-rollers
for convenient docking without jolting

PAVEDOCK ASSISTANT: THE COMMUNICATION SYSTEM

Feeding as a reliable process

A constant feed of material is a fundamental prerequisite for high-quality paving and perfect evenness. PaveDock Assistant is the communication system between the paver operator and the driver of the feed vehicle. It allows particularly fast and reliable transfer of mix to the paver.

The core elements of the PaveDock Assistant are the signal lights on the paver and the associated control elements on the paver operator's ErgoPlus 3 console.

The paver has two sets of signal lights mounted on the right and left of the hardtop. The paver operator can use these

lights to give the driver of the feed vehicle clear signals, indicating what needs to be done (e.g. reverse, stop, dump mix). Having two lights, each in an elevated position, ensures that all signals are clearly visible to the feed vehicle driver from any angle of approach.



VÖGELE > GOOD TO KNOW

PaveDock Assistant signals

The signal lights attached to the right and left of the paver hardtop enable the paver operator to give the truck driver clear signals using the associated controls on the paver operator's ErgoPlus 3 console.



AUTOSET BASIC REPOSITIONING FUNCTION

AutoSet Basic is especially helpful when the machine has to be moved on the job site frequently.

Simply pressing the "Execute" button hydraulically raises the augers, the hopper front and the deflectors in front of the crawler tracks to their uppermost positions. The screed, too, is brought into its transport position. The conveyors are temporarily reversed, preventing mix from falling to the ground when the paver travels to the next work section on site.

Once the paver has been repositioned, pressing the "Execute" button again returns all systems to the previously-stored working position.

This ensures that no settings are lost when switching from paving to repositioning or transport. It also effectively prevents any damage to the machine.



AutoSet Basic repositioning function

The AutoSet Basic repositioning function is activated just by pushing the "Execute" button.

- 01 Raise/lower screed.
- 02 Raise/lower auger.
- 03 Conveyor movement reversible for a short time.
- 04 Raise/lower deflectors in front of the crawler tracks.
- 05 Raise hopper front.



ERGOPLUS 3 OPERATING CONCEPT

Improved efficiency, reliability and convenience

Even the very best machine with the most advanced technology can only really show its strengths if it can be operated easily and as intuitively as possible. At the same time, it should offer an ergonomic and safe working environment for the operating team.

That's why the ErgoPlus 3 operating concept is focussed on the operator, ensuring that VÖGELE paver operators retain full control over the machine and the paving job. On the following pages, example illustrations will provide you with more detailed information on the extensive functions of

the ErgoPlus 3 operating concept. ErgoPlus 3 encompasses the operator's platform, the paver operator's console and screed consoles and Niveltronic Plus, the System for Automated Grade and Slope Control.



ERGOPLUS 3 PAVER OPERATOR'S CONSOLE

Clearly arranged in line with experience from the field

The paver operator's console is extremely clear and has been designed in accordance with practical principles. All functions are combined into logical groups so that the operator finds each function exactly where he would expect it to be.

On the ErgoPlus 3 console, all push-buttons are easily identifiable by touch, even when wearing work gloves. Just press a button and off you go - thanks to the "Touch and Work" principle. This means that a function is executed directly - without the need to confirm.



01 Conveyors and augers, traction

All controls for the conveyor and auger are located here. The traction main switch, the operating mode selector and the setpoint adjuster for pave speed are also included in this function group.

02 Material hopper and steering

This function group includes the controls for the material hopper, the steering and the diesel engine. Various options are also operated from here.

03 Screed functions

All controls for the screed are grouped at the centre of the paver operator's console.

04 Paver operator's console display

The high-contrast colour display delivers brilliant readability even in poor lighting conditions. Essential information is shown on menu level 1. More paving settings, as well as information about the machine, can be found on secondary levels.

05 Safe operation at night

Glare-free backlighting comes on automatically as darkness sets in so that the paver operator can continue working safely on night-time jobs.



CONVEYORS AND AUGERS, TRACTION

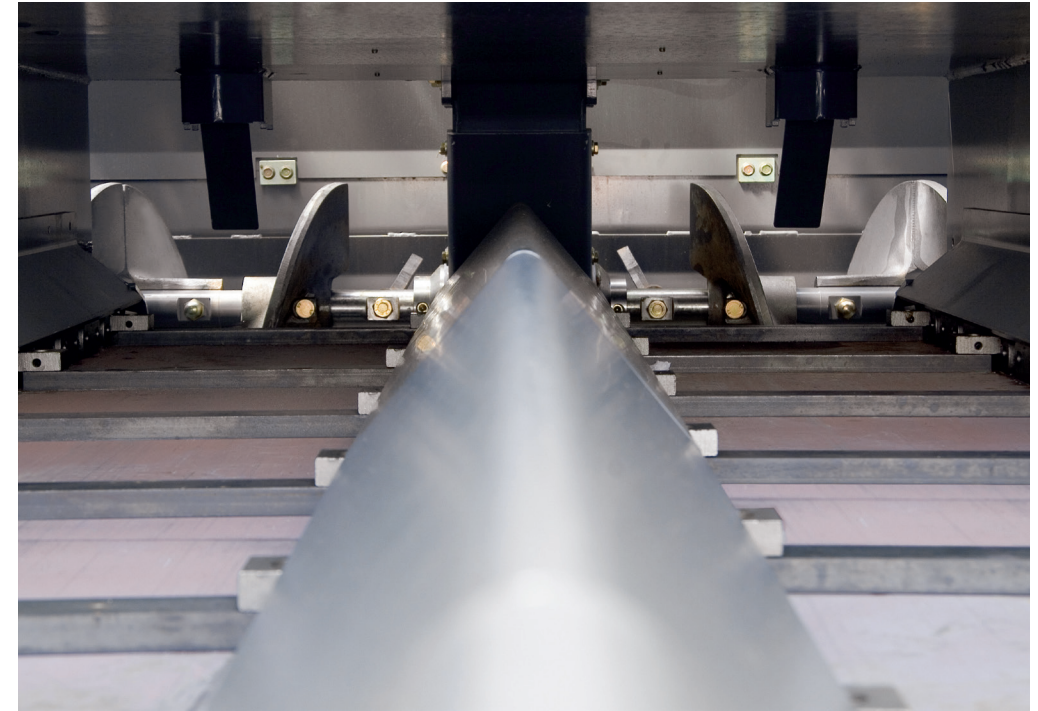
Module 1

01 Choice of paver operating modes

All the main paving and machine functions can be controlled directly by individual push-buttons on the paver operator's ErgoPlus 3 console. By pressing the up or down arrow buttons, the operator changes modes in the following order: "Neutral", "Job Site", "Positioning" and "Pave". An LED indicates the mode selected.

02 Automatic functions for material handling/distribution

These functions ensure that adequate mix for paving is automatically conveyed and distributed in front of the screed. The level of the head of mix in front of the screed is defined by a material sensor and the automatic system ensures that this remains constant. The function is only active during paving - if the paver stops, so does material handling.



The conveyor can be reversed at the touch of a button. Return transport of the mix is stopped automatically. The conveyor can be switched to the no-load function just as quickly.



03 Conveyor reversing

In order to stop mix dropping off the conveyors when moving the paver on the job site, conveyor movement can be reversed at the touch of a button. Reverse movement takes place for a short time only and stops automatically.

04 Idling function

Idling function is provided for the warm-up or cleaning of conveyors, augers and tamper.

- 01 Choice of paver operating modes
- 02 Automatic functions for material handling/distribution
- 03 Conveyor reversing
- 04 Idling function

MATERIAL HOPPER AND STEERING

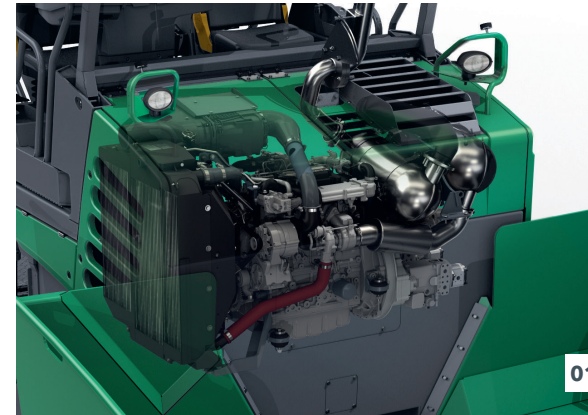
Module 2

01 Choice of engine speed ranges

For the engine, there is a choice of three modes: MIN, ECO and MAX. To switch modes for engine speed, all the operator needs to do is press the up or down arrow buttons. In ECO mode, the engine delivers sufficient power for a great number of paving applications. Running in ECO mode significantly reduces noise and fuel consumption.

02 PaveDock Assistant (option)

The paver operator can use the PaveDock Assistant signal lights to give the driver of the feed vehicle clear signals indicating what needs to be done (e.g. reverse, stop, dump mix). The lights are conveniently activated directly from the paver operator's ErgoPlus 3 console.



01



02

01 Choice of engine speed ranges
02 PaveDock Assistant (option)

03 Steering

For a large turning circle, fine steering allows pre-setting of a track position which is maintained automatically with no need for manual intervention by the operator.

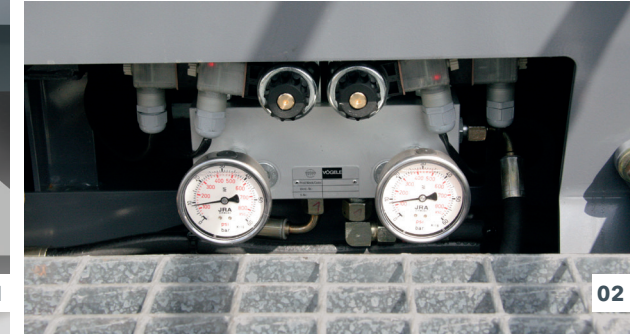
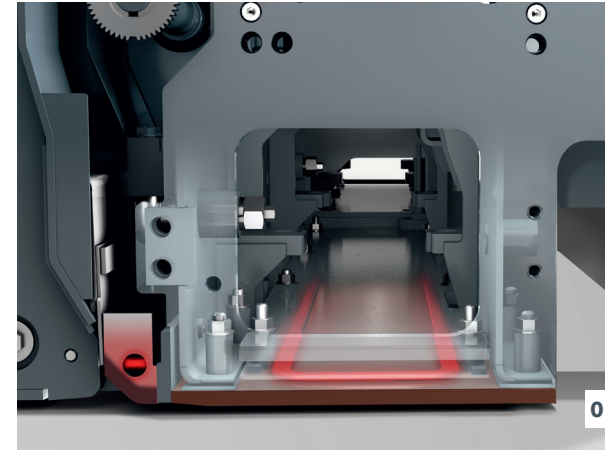


01 Choice of engine speed ranges
02 PaveDock Assistant (option)
03 Steering at a pre-selected steering angle

SCREED

Module 3

All the key screed settings can be made from the paver operator's console. The screed can be raised or lowered here, each of the two sides of the screed extended or retracted, or the angle of the screed adapted to suit conditions. This means the paver operator, too, has access to the screed at all times.



01 Screed heating

In order to optimize compaction and produce a smooth surface texture, all compacting elements are heated across full screed width. Screed heating is switched on or off at just the touch of a button. To ensure the screed heating system is working properly, an automatic function check is carried out when it is switched on.

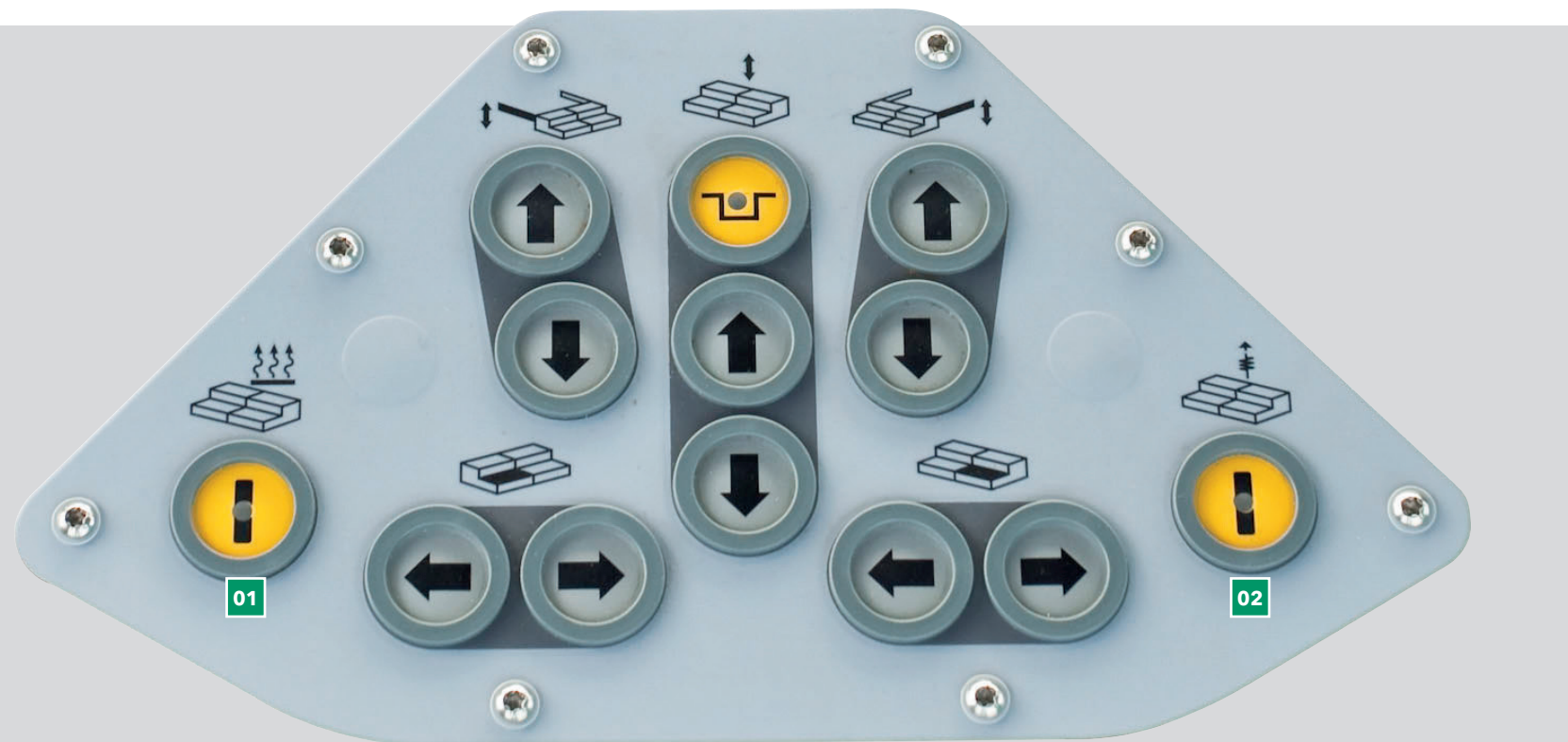
02 Screed Assist (option)

This button switches Screed Assist on (LED lights up) or off. Screed Assist pressure and balance can be set on the display. Screed Assist is active only when the screed is floating.

01 Screed plates are fitted as standard with heating elements which distribute the heat throughout the plates.
02 When the screed is in the floating position, the Screed Assist feature can also be activated.

01 Screed Heating

02 Screed Assist (option)



ERGOPLUS 3 SCREED CONSOLE

The screed is crucial for pavement quality, so easy and positive handling of all screed functions is of the utmost importance for high-quality road construction. With ErgoPlus 3, screed operators have the paving process at their fingertips. All the functions are easily comprehensible, and all the controls are clearly arranged.

Push-buttons in watertight, raised enclosures are provided for the frequently-used functions operated from the screed console. This makes them identifiable blindfold simply by touch, even when wearing work gloves. Important paver and screed data can also be called up and adjusted from the screed console.



- 01** The high-contrast colour display provides for brilliant readability even in poor lighting conditions. What's more, the downward-angled high-power LED lighting gives the operator a perfect view of all processes associated with the side plate, even in the dark.
- 02** Screed width can be adjusted using the SmartWheel.



- 01** The screed console display
- 02** Ergonomic screed width control
- 03** Crown adjustment at the touch of a button (option)

01 The screed console display

The screed console display allows the screed operator to control and monitor both the left and the right sides of the screed. Machine-related parameters such as the tamper bar or conveyor speed can be conveniently adjusted on the screed console display panel. The clear menu structure, combined with easily understandable, self-explanatory symbols neutral in language, makes operating the display panel both simple and safe.

02 Ergonomic screed width control

Screed width can be effortlessly adjusted using the SmartWheel.

03 Crown adjustment at the touch of a button (option)

Crown can be conveniently adjusted at the touch of a button on the screed operator's console. When the "plus" or "minus" button is pressed, the set crown value is shown on the display.

NIVELTRONIC PLUS AUTOMATED GRADE AND SLOPE CONTROL

The Niveltronic Plus System for Automated Grade and Slope Control is an in-house development by JOSEPH VÖGELE AG based on many years of experience in grade and slope control technology. Easy operation, precision and reliability are its hallmarks, ensuring perfect mastery of all grade and slope control jobs.

This fully integrated system is perfectly adapted to the machine technology of VÖGELE pavers with the ErgoPlus 3 operating concept. For example, all wiring and connections are integrated in the tractor unit and screed, effectively eliminating any risk of damage to those components.

VÖGELE of course offers a very wide and practical selection of sensors to facilitate versatile use of the Niveltronic Plus system.

Whether building or rehabilitating car parks, roundabouts or motorways, VÖGELE supplies the right sensor for every job site situation.

Sensors can be changed quickly and easily, as Niveltronic Plus automatically detects which sensor is connected, simplifying the configuration process for the user.

The setup tool provides information about the correct distance from the reference as soon as the System for Automated Grade and Slope Control is commissioned. The correct position has been reached when the two centre LEDs on the vertical LED strip come on.



01



02



03

- 01 The LED sighting crosses also fitted to the sensor provide continuous, clearly visible feedback to the screed operator, indicating whether the actual values match the settings made.
- 02 Various sensor types are available for Niveltronic Plus, in keeping with the machine's extensive and varied range of applications. These sensors extend from a mechanical sensor to non-contacting sonic sensors.
- 03 The two-way split display provides the screed operator with access to both sides of the screed. The symbols provide information at all times - on the height of the tow point rams, on pre-set and actual values, and on the pre-set sensitivity of the grade and slope control sensors.



VÖGELE > GOOD TO KNOW

Sensors available

Slope sensor

The slope sensor allows the transverse profile to be determined exactly and then paved accurately. The measuring range is +/- 10%.

Variable mechanical grade sensor

The variable mechanical grade sensor can be equipped with skis for referencing from the ground in 30 cm, 1 m and 2 m lengths.

Single-cell sonic sensor

The single-cell sonic sensor emits a sound cone and consequently copies references 1:1 without calculating an average. It can be used for referencing from the ground (Ground mode) or from a tensioned wire (Stringline mode).

Multi-cell sonic sensor

The multi-cell sonic sensor, with its four sensors, is highly versatile. By calculating an average, it can compensate for brief irregularities in a reference.



OPERATOR'S ERGOPLUS 3 PLATFORM

Improved efficiency, reliability and convenience

An ergonomic workstation is of key importance to enable a paver operator to concentrate fully for long periods of time, which is why VÖGELE relies on the paver operator's ErgoPlus 3 platform. The operator's ErgoPlus 3 platform provides plenty of storage space, is clearly arranged and meets stringent health and safety requirements.

Outstanding all-round visibility also increases safety. The operator can monitor everything from his workstation: material feed, material supply and head of mix. With its intelligent design, the ErgoPlus 3 system proves that innovative technology can be controlled ergonomically, efficiently, intuitively and conveniently.

01 The convenient operator's platform

> The convenient operator's platform gives an unobstructed view of all the crucial areas of the paver such as material hopper, steering guide or screed. It allows the paver operator to monitor closely the feeding of the paver with mix.

02 Control console and seats can be moved for an optimum seated position

> Seats which swing out to the sides and a streamlined operator's platform likewise provide maximum visibility of the auger tunnel, allowing the paver operator to keep a close eye on the head of mix in front of the screed at all times.

> The streamlined operator's platform is well organized, offering the paver operator a professional workplace. The operator's console can be protected by a shatter-proof cover.

03 Hardtop gives excellent protection

> The modern hardtop made of glass fibre-reinforced polymer material shelters the operator come rain or shine.

04 Consistent service concept

> All Dash 3 pavers have a consistent maintenance concept with identical service intervals.

05 Safe and convenient ascent

> The walkway and central step access on the screed ensure safe, convenient access to the operator's platform.

06 Ergonomic screed console

> The height and position of the console are easily adjusted. The high-contrast colour display can be read clearly from all angles.

AB 340 EXTENDING SCREED

The AB 340 Extending Screed is the perfect match for the SUPER 1300-3(i). The screed has a basic width of 1.8 m and extends hydraulically up to 3.4 m. The version with tamper and vibrators (TV) can be extended to a maximum pave width of 5 m with bolt-on extensions. The unique VÖGELE single-tube telescoping system allows backlash-free screed width control, accurate to the millimetre, up to 3.4 m.

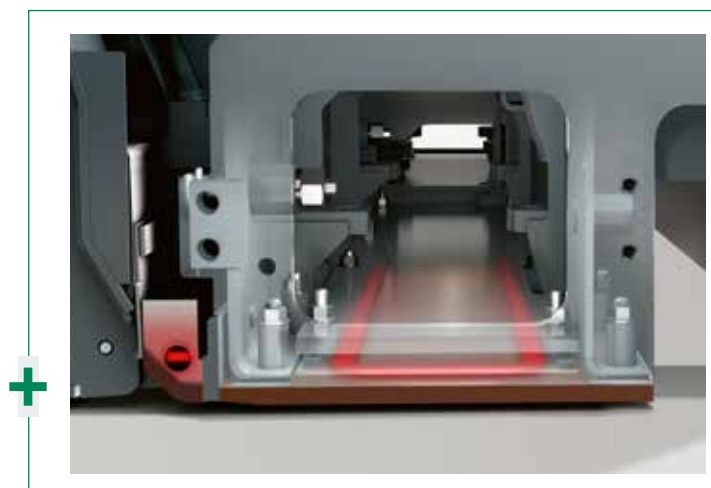
Another typical VÖGELE feature found in the AB 340 Extending Screed is the powerful electric heating system. The modern screed heating system provides for quick and uniform heating to operating temperature, essential for a smooth surface texture. Excellent insulation of the screed plates reduces loss of heat to a minimum. It takes only a short time to heat the screed, even with the engine running at minimum rpm.

In automatic operation, the screed is heated in alternating mode, which means that only one half is heated at any one time, thus sparing the engine and saving fuel.



Innovative screed heating

In order to optimize compaction performance and to produce a smooth surface structure, all compacting elements are heated across full screed width. Screed plates are fitted as standard with heating elements which distribute heat throughout the plates. The plates are thoroughly insulated on top so that 100% of the heat is directed to where it is needed: the area of contact with the mix. The tamper bar is fitted with heating rods for quick and uniform heating from the inside. Sophisticated control technology is installed to allow automated management of screed heating.





AB 340

Pave widths

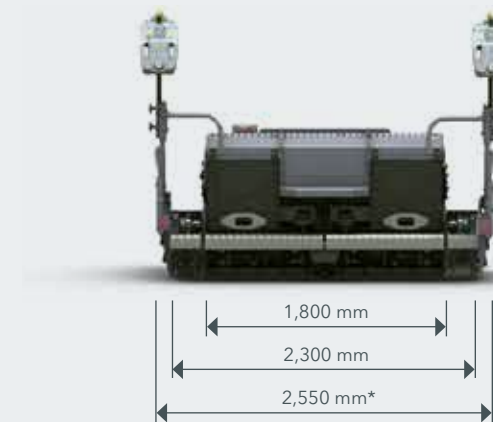
- > Infinitely variable range from 1.8 m to 3.4 m
- > Maximum pave width achieved with bolt-on extensions:
 - > AB 340 V: 4.2 m
 - > AB 340 TV: 5 m
- > Smaller widths achieved by fitting cut-off shoes to a minimum of 75 cm

Compacting systems

- > AB 340 V with vibrators
- > AB 340 TV with tamper and vibrators

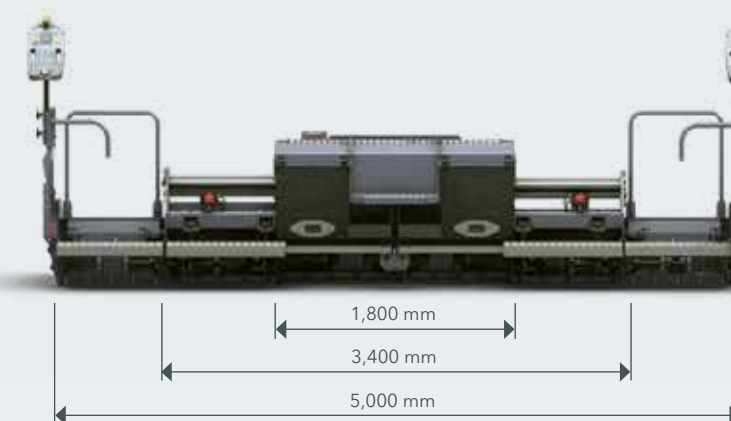


AB 340 V/TV built up with 25 cm bolt-on extensions



Easy transport
*Even with bolt-on extensions and side plates fitted, the transport dimensions do not exceed 2.55 m.

AB 340 TV built up with 80 cm bolt-on extensions



WIRTGEN GROUP CUSTOMER SUPPORT

Service you can rely on.

You can have confidence in reliable, swift support from us during the entire life cycle of your machine. Our wide range of services is ready with the right solution to every challenge you face.



Service

We keep our service promise with swift, straightforward assistance - on the job site or at our professional workshops. Our service team is trained to a professional standard and dedicated tools ensure that repair, care and maintenance tasks are completed quickly. We can support you with customised service agreements on request.

> www.wirtgen-group.com/service



Spare Parts

WIRTGEN GROUP original parts and accessories assure the long-term reliability and availability of your machines. Our experts will also be pleased to advise you about optimised wear part solutions to suit your application. Our parts are available all over the world at all times and are easy to order.

> parts.wirtgen-group.com



Training

The WIRTGEN GROUP brands are specialists in their field with decades of experience in applications; our customers benefit from this expertise. In our WIRTGEN GROUP training courses, we are delighted to pass our knowledge on to you, customised to suit both operators and servicing staff.

> www.wirtgen-group.com/training



Telematics solutions

At the WIRTGEN GROUP, construction machinery involving leading-edge technology goes hand in hand with sophisticated telematics solutions. Intelligent monitoring systems such as WITOS or JD Link* not only make it easier for you to plan the maintenance of your machines, they also increase productivity and efficiency.

> www.wirtgen-group.com/telematics

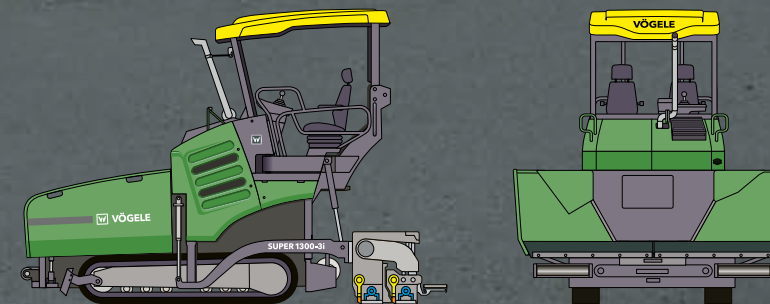
* Neither WITOS nor JD Link are currently available in all countries. Please contact the subsidiary or dealer responsible for you for more information about this.

ALL THE FACTS AT A GLANCE

SUPER 1300-3(i) Tracked Paver



TECHNICAL DATA



SUPER 1300-3(i)

- > Maximum pave width: 5 m
- > Maximum laydown rate: 350 t/h
- > Layer thickness: max. 25 cm
- > Transport width: 1.85 m



JOSEPH VÖGELE AG

Joseph-Vögele-Str. 1
67075 Ludwigshafen
Germany

T: +49 621 8105-0

F: +49 621 8105-461

E: marketing@voegele.info

 www.voegele.info



For more information scan the code.