

Technical Information

MOBISCREEN MSS 802i EVO



Track-mounted screening plant

For use in natural stone and recycling

MOBISCREEN MSS EVO

Series

HIGHLIGHTS

- > Screen for coarse elements
- > Mobile double-deck screening unit
- > H-DRIVE Diesel-hydraulic drive
- > Maximum feed size 32" x 20" x 12"



MOBISCREEN MSS 802i EVO mobile screen for coarse elements

The MOBISCREEN MSS 802i EVO mobile screening plant is designed for coarse screening in natural stone and recycling. The comprehensive range of screen media and easy setting of the parameters enable the screening plant to be easily adapted

to new operating conditions. The operation of the MSS 802i EVO is conveniently carried out via a modern control system. Thanks to good accessibility, maintenance work can be performed comfortably.

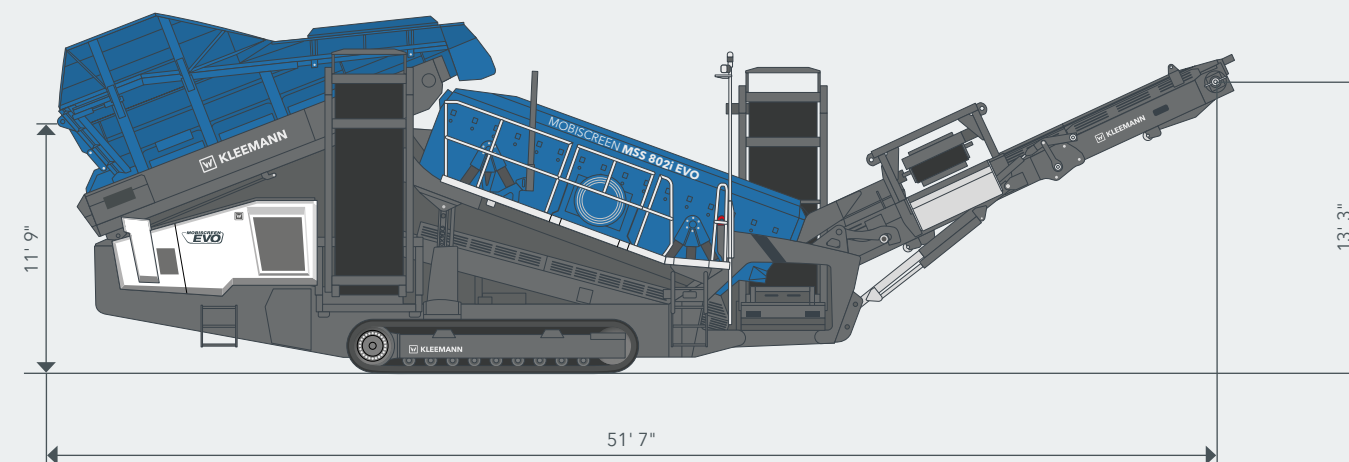
TECHNICAL DATA MSS 802i EVO - US SPEC

Feeding unit	
Feed capacity up to approx. (US t/h)	551
Max. feed size	32" x 20" x 12"
Feed height approx.	11' 9" (9' 3") ¹⁾
Hopper capacity (yd ³)	11,9
Hopper discharge conveyor	
Width x Length	56" x 14' 9"
Type (optional)	variable speed
Screening unit	
Type	double deck screen for coarse elements
Top deck width x length	5' 1" x 16'
Bottom deck width x length	5' 1" x 14' 9"
Fine grain conveyor	
Width x Length	48" x 14' 4"
Discharge conveyor for fine grain	
Width x length	36" x 25' 6"
Discharge height approx.	9' 9" - 13' 1" (14' 5") ²⁾

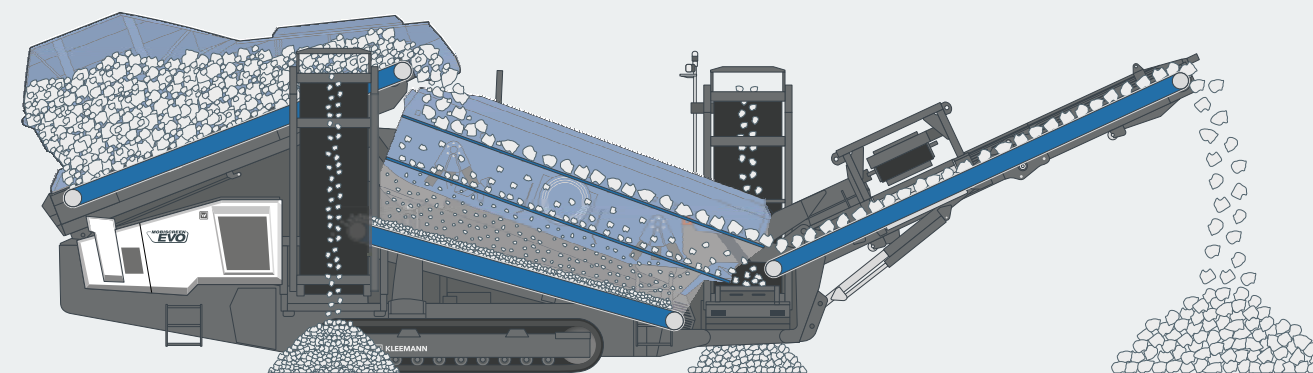
Discharge conveyor for medium grain	
Width x Length	36" x 25' 6"
Discharge height approx.	7' 7" x 11' 11" (13' 4") ²⁾
Discharge conveyor for oversize grain	
Width x Length	56" x 19' 11"
Discharge height approx.	8' 8" x 13' 3" (15' 4") ²⁾
Power supply unit	
Drive concept	diesel-hydraulic
Diesel engine	John Deere
Engine output (hp)	133
Transport position dimensions	
Height approx.	11' 2"
Length approx. (extended)	52' (55' 1")
Width approx.	9' 10"
Transport weight basic system - max. equipment approx. (lbs)	70,350 - 84,900

¹⁾ Height with folded-in hopper rear wall
²⁾ max. discharge height with long discharge conveyor (optional)

OPERATING POSITION



MATERIAL FLOW



With its proportionally controlled chassis, the coarse screening plant can be moved quickly and precisely, to the application site or within the construction site. The side discharge belts can be folded without the need to assemble or disassemble any components, thereby reducing set-up times. More versatility is achieved thanks

to a rear hopper wall that can be folded in three different positions, which makes it possible to feed crushers with a low discharge height. Furthermore, the plant can be easily and quickly converted from 3 product split to 2 product split. With the MSS 802i EVO, either three or two final grit sizes can be produced and discharged.

STANDARD EQUIPMENT

- > Double-deck screening unit
- > Hopper unit 11,9 yd³
- > Feeding conveyor, smooth belt
- > Side discharge conveyor, belt width 36", discharge height max. 11' 11" / 13' 1"
- > Main discharge conveyor, belt width 55", discharge height max. 13' 3"
- > Simple conversion from 3 to 2 final grain sizes possible (depending on configuration, counterweights may be required)
- > Removable, wired machine control system used for controlling all driving and movement functions, adapting settings and reading out machine data and troubleshooting aids
- > WITOS FleetView telematics system ensures efficient fleet and service management
- > Pre-installed water spray system reduces dust
- > Lighting concept in compliance with standards for lighting work platforms, the operator's position and crawler carrier chains in driving operation
- > Line coupling for linking with other KLEEMANN plants

OPTIONS

- > Individually foldable hopper filling aids for rear and side loading: width of feed opening 13', wired remote control, foldable and lockable
- > Wear lining made of wear-resistant steel (KRS) or rubber
- > Apron feeder for feeding very coarse material
- > Side discharge conveyors with different designs: with magnetic drum and ejector chute, telescopic design (discharge heights 13' 4"/14' 5"), mirror-image configuration
- > Screen blanket or chain curtain reduces the speed of the feed material
- > Release cords on conveyor belts for safe stopping in the event of an emergency
- > Permanent magnetic separator above the crusher discharge conveyor
- > Diesel refuelling pump: hose system incl. pump
- > External power supply - for efficient mains operation, possibility to change between two energy sources: own propulsion (diesel engine) or external power supply
- > Radio remote control: crawler chassis, hopper discharge conveyor ON/OFF and speed setting, emergency stop
- > Large selection of screen media for all decks, individual configuration option for the individual screen segments
- > Straps with knocking elements for use with sticky material
- > Extended main discharge conveyor, discharge height max. 15' 4"
- > Electric water pump for autonomous supply of the spray system
- > Premium lighting for extended illumination of the material flow (transfer points and stockpiles)



Economic operation of the machine also requires choosing the correct wear parts. KLEEMANN original parts are ideally tuned to the requirements of users and machines. Thanks to our application know-how and expert advice, we help our customers to find the optimal wear part for their individual application. Further information: parts.wirtgen-group.com

WIRTGEN AMERICA

6030 Dana Way
Antioch, TN 37013
USA

T: +1 615 501 0600
M: info.america@wirtgen-group.com

www.wirtgen-group.com/america

