

Technical information

SUPER 1303



Wheeled paver SUPER 1303

Compact Class

TECHNICAL HIGHLIGHTS

- > Maximum pave width 4.5 m
- > Maximum laydown rate 250 tonnes/h
- > Transport width 1.85 m
- > Engine output: 74.4 kW at 2,000 rpm

SUPER 1303 - Compact dimensions, easy handling

Compact dimensions, easy handling and excellent value for money - that's what the new VÖGELE SUPER 1303 wheeled paver has to offer. A member of the Classic Line, it features a range of functions which is focussed on the essentials required by paving teams for successful operations.

The SUPER 1303 can be combined with the AB 340 Extending Screed with tamper (T version), vibrators (V version) or with tamper and vibrators (TV version).

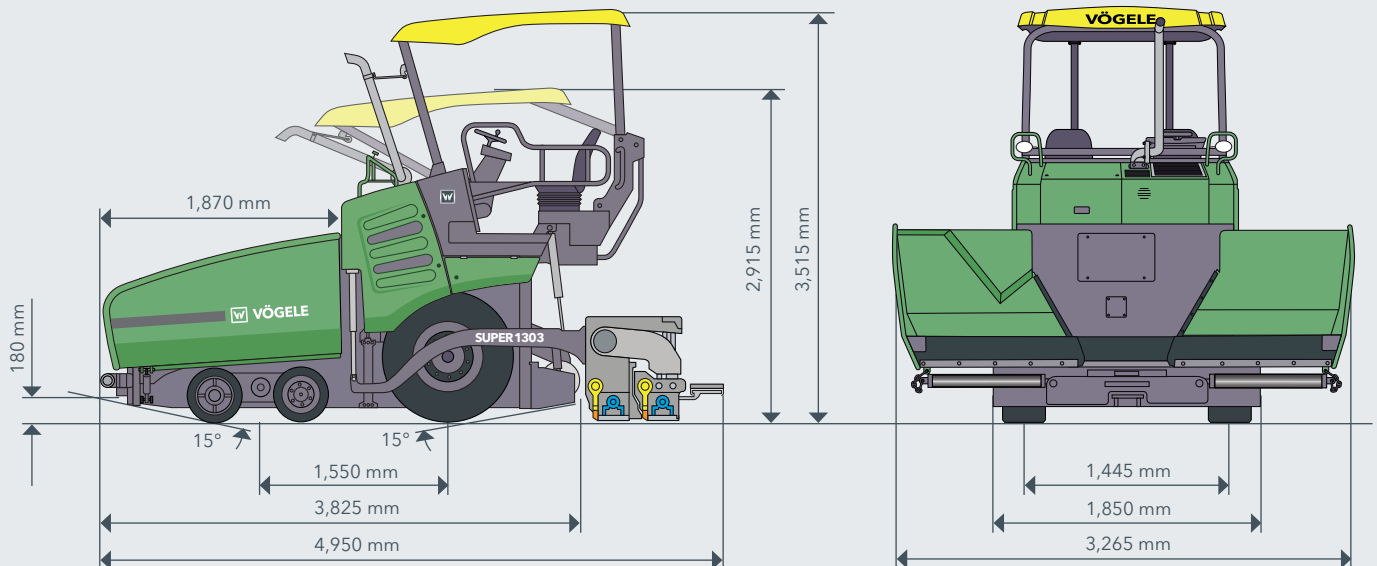


TECHNICAL DATA	SUPER 1303
Power unit	
Engine	
> Version	liquid-cooled 4-cylinder diesel engine
> Manufacturer	Deutz
> Type	TCD 3.6L4
Output	
> Nominal	74.4 kW at 2,000 rpm (according to DIN)
> ECO mode	68.7 kW at 1,600 rpm
Emissions information	
> Exhaust emissions standards	EU Stage 3a, US EPA Tier 3
Fuel tank	110 litres
Undercarriage	
Front wheels	
> Version	4, mounted on bogies
> Tyre equipment	elastic solid rubber tyres
> Tyre size	460/250 - 310 mm
Rear wheels	2, pneumatic tyres or filled with water
> Tyre size	365/80 R 20 XZL TL 152K
Drive	electronically controlled separate hydraulic drive provided for each wheel
> Standard	2 rear wheels (6x2)
> Option	2 rear and 2 front wheels (6x4)
Speeds	
> Paving	up to 30 m/min., infinitely variable
> Transport	up to 20 km/h, infinitely variable
Outside turning circle	min. 3.8 m (with Pivot Steer)
Material hopper	
Hopper capacity	10 t
Width	3,350 mm
Feed height	580 mm (bottom of receiving hopper)
Push-rollers	
> Standard	oscillating
Position	can be displaced forwards by 80 mm
Conveyors and augers	
Conveyors	
> Version	2, with replaceable feeder bars, direction of conveyor temporarily reversible
> Drive	separate hydraulic drive provided for each conveyor
> Speed	up to 25 m/min., infinitely variable (manual or automatic)

Conveyors and augers	
Augers	
> Version	2, with replaceable auger blades, auger rotation reversible
> Diameter	300 mm
> Drive	separate hydraulic drive provided for each auger
> Speed	up to 80 rpm, infinitely variable (manual or automatic)
Auger height	
> Standard	infinitely variable by 13 cm, mechanical
> Option	infinitely variable by 13 cm, hydraulic
Lubrication	auger bearing via grease nipple
Screed	
	AB 340
Basic width	1.8 to 3.4 m
Maximum width	4.5 m
Compacting systems	T, V, TV
Min. pave width with system for pave width reduction	0.75 m
Reduction in width	by cut-off shoes 2x52.5 cm
Layer thickness	up to 25 cm
Screed heating	
> Version	electric by heating rods
> Power supply	three-phase AC generator
Dimensions (transport) and weights	
Length	
> Version	paver with screed
> AB 340	4.95 m
Weights	
> Version	paver with screed
> AB 340 TV	for pave width up to 3.4 m: 10,200 kg / for pave width up to 4.5 m: 11,000 kg

Key: AB = extending screed, T = with tamper, V = with vibrators, TV = with tamper and vibrators

SIDE AND FRONT VIEW



SUPER 1303 HIGHLIGHTS

- > Compact Class paver with a wide range of applications and pave widths up to 4.5 m
- > Simple operation with the innovative and easy-to-grasp ErgoBasic operating concept
- > Powerful diesel engine of the latest generation
- > Significantly smaller turning circle due to Pivot Steer steering brake
- > Can be combined with the AB 340 Extending Screed in the T, V and TV versions

EQUIPMENT

> Electronic engine management with ECO mode and variable-speed fan drive	<input checked="" type="checkbox"/>
> Modern hardtop, made of a glass fibre-reinforced polymer material	<input type="checkbox"/>
> Operator's seat, luxury, 2 pieces	<input checked="" type="checkbox"/>
> Paver operator's ErgoBasic console and ErgoBasic remote control units for the screed	<input checked="" type="checkbox"/>
> 4 working lights, halogen	<input checked="" type="checkbox"/>
> Rearview mirror, 2 pieces	<input type="checkbox"/>
> All-round beacon	<input type="checkbox"/>
> Pivot Steer	<input checked="" type="checkbox"/>
> Auger height adjustment, manual	<input checked="" type="checkbox"/>
> Auger height adjustment, hydraulic	<input type="checkbox"/>
> Sensor for auger control, sonic, 2 pieces	<input checked="" type="checkbox"/>
> Working lights for auger tunnel, 2 pieces	<input type="checkbox"/>
> Grade And Slope Control Niveltronic Basic	<input type="checkbox"/>
> Handset for Niveltronic Basic, 2 pieces	<input type="checkbox"/>
> Various sensor types for Niveltronic Basic	<input type="checkbox"/>
> Screed Assist	<input type="checkbox"/>
> Cleaning agent tank with spray bottle	<input type="checkbox"/>

The list contains only an excerpt from the range of delivery.
Standard equipment and options may be different depending on the sales region.

Standard Equipment Options

JOSEPH VÖGELE AG

Joseph-Vögele-Str. 1
67075 Ludwigshafen
Germany

T: +49 621 8105-0
F: +49 621 8105-461
M: marketing@voegele.info

www.voegele.info

