

Technical Information

MOBICAT MC 120i PRO



Track-mounted jaw crusher

For use in natural stone

MOBICAT PRO

Series

HIGHLIGHTS

- > Extremely robust design
- > Very high production outputs, low-maintenance operation
- > Crusher unblocking system via frequency converters (optional)
- > External power supply (optional)
- > Ideal for combination with downstream MOBICONE MCO 110i PRO cone crusher
- > Optional crusher discharge chute

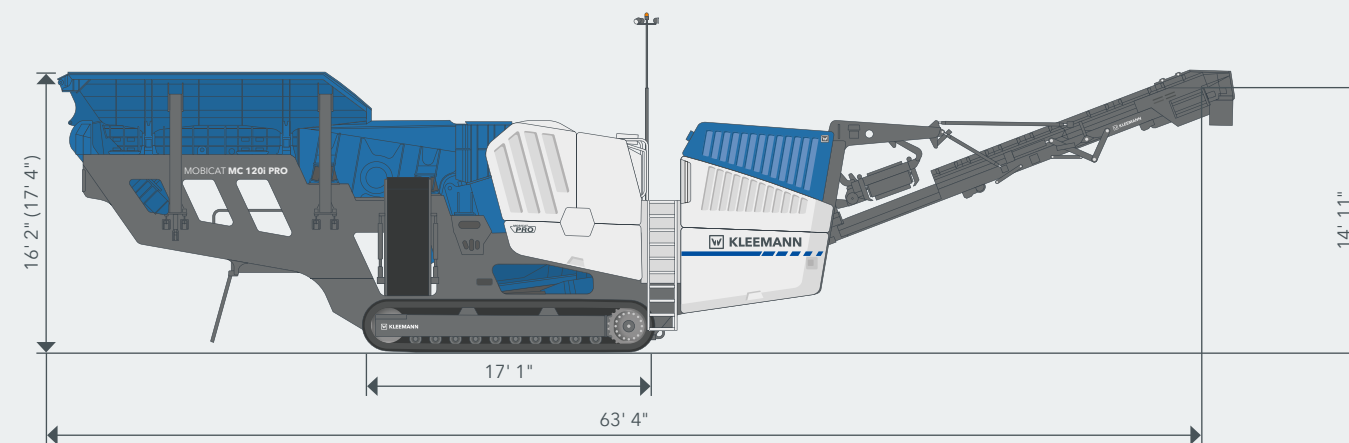


MOBICAT MC 120i PRO mobile jaw crusher

The MOBICAT MC 120i PRO, the first jaw crusher in the PRO Line, is used for pre-crushing almost all natural stone. The jaw crusher

is extremely robust and excels with its low-maintenance operation. The machine guarantees high production outputs.

OPERATING POSITION



MC 120i PRO TECHNICAL DATA - US SPEC

Feeding unit	
Feed capacity up to approx. (US t/h)	717 ¹⁾
Feed size max.	43" x 27"
Feed height (with extension)	16' 2" (17' 4")
Width x Length (with extension)	9' 4" x 13' 5" (12' 10" x 12' 10")
Hopper volume (with extension) (yd ³)	12.7 (17)
Vibrating feeder	
Width x length	44" x 11' 10"
Prescreening	
Type	Double deck heavy duty screen
Width x length	48" x 9' 6"
Side discharge conveyor ²⁾	
Width x length	26" x 21' 10"
Discharge height approx.	11' 4"
Crusher	
Single-toggle jaw crusher model	STR 120
Crusher inlet width x depth	48" x 32"
Crusher weight approx. (lbs)	64,350
Crusher drive type, approx. (hp)	Electric, 268
Adjustment range of gap width	3" - 8" ³⁾
Gap setting	Fully hydraulic

Crushing capacity ^{1) 3) 4)}	
Crushing capacity with CSS = 4" up to approx. (US t/h)	276
Crushing capacity with CSS = 5.1" up to approx. (US t/h)	358
Crushing capacity with CSS = 6.3" up to approx. (US t/h)	441
Discharge chute (optional)	
Width x length	52" x 6' 7"
Crusher discharge conveyor	
Width x length (extended)	48" x 40' 4" (45' 7")
Discharge height approx. (extended)	13' 1" (14' 11")
Power supply unit	
Drive concept	Diesel-electric
Scania (Tier 4f/Stage IV) (hp)	493 (1,800 rpm)
Generator (kVA)	500
Transport	
Transport height approx.	13' 5"
Transport length approx.	63' 6"
Transport width max.	9' 10"
Transport weight approx. (lbs)	169,800 - 189,600 ⁵⁾

¹⁾ depending on the type and composition of the feed material, the feed size, prescreening and the final grain size to be achieved

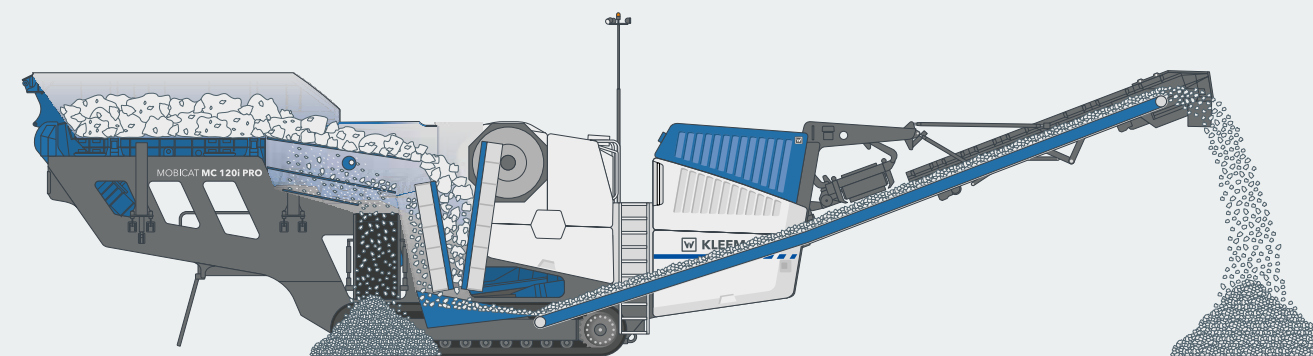
²⁾ foldable side discharge conveyor remains attached to the plant for transportation

³⁾ CSS: Peak to Valley; the gap width can be adjusted by the use of special crusher jaws

⁴⁾ for hard stone, CSS = Close Side Setting

⁵⁾ no options

MATERIAL FLOW



The MOBICAT MC 120i PRO has a generously dimensioned feeding unit, which enables large quantities of materials to be fed using an excavator or wheel loader without any difficulty. The plant's high level of performance is also reflected by the dimensions of the crusher inlet and the extra-long moving crusher jaw design.

This enables large stones to be fed in. Despite its impressive size and power, the machine can still be transported in one piece. Components such as the foldable side discharge conveyor, feeding unit and rock chisel are equipped with hydraulic functions and can remain on the machine for transport.

STANDARD EQUIPMENT

- > Hydraulically folding feed hopper
- > Frequency-controlled vibrating feeder, frequency-controlled prescreen. Automatic control as a function of the crusher level thanks to CFS
- > Side discharge conveyor, hydraulically folding, right side, discharge height 11' 4", for transport while remaining on the plant, incl. spray system
- > Jaw crusher with crusher jaws made from manganese-high carbon steel
- > Crusher discharge chute: additional protection for the crusher discharge conveyor with coarse, sharp-edged stone
- > Platforms: prescreen platform to the right, platform above the crusher
- > SPECTIVE control concept: menu-guided user interface, 12 inch control panel, lockable control cabinet, protected against dust and vibrations; telematics system for efficient fleet and service management
- > Remote control: Cable and radio remote control incl. switch-off function for feeding unit
- > Line coupling for interlinking with further KLEEMANN plants
- > Water spray system for dust reduction
- > Water pump with pressure monitoring
- > Lighting

OPTIONS

- > SPECTIVE CONNECT displays all important machine information directly on the smartphone
- > Hopper replacement elements: KRS Kleemann Resistant Steel and plastic elements
- > Hopper extension, rear-side filling width 12' 10"
- > Side discharge conveyor, rigid on left side: discharge height 11' 4", incl. spray system
- > Different prescreen surfaces available for upper and lower deck: punched plate, slotted grate, wire cloth
- > Extended crusher discharge conveyor, hydraulically folding
- > Belt scale in crusher discharge conveyor
- > Belt cover for crusher discharge conveyor
- > Electromagnetic separator, permanent magnetic separator, magnet preparation
- > External power supply for economic mains operation
- > Automatic lubrication of crusher bearings
- > Crusher unblocking system via frequency converter: start-up with full crusher, adjustable crusher speed, crusher can be moved in reverse
- > Rock hammer: for clearing blockages at the crusher inlet, remains on plant for transport, incl. platform and remote control
- > Diesel refuelling pump: hose system incl. pump, possible to refuel from separate tank
- > Camera system for monitoring feeding unit and crusher from the ground, also available with wireless expansion
- > Sockets: 125 A socket supply for operation of additional electrical equipment (e.g. stockpile conveyor, screening plant MS EVO); 16 A/32 A power supply for supplying service equipment
- > Premium lighting
- > Climate packages: hot and cold package



Economic operation of the machine also requires choosing the correct wear parts. KLEEMANN original parts are ideally tuned to the requirements of users and machines. Thanks to our application know-how and expert advice, we help our customers to find the optimal wear part for their individual application. Further information: parts.wirtgen-group.com

WIRTGEN AMERICA

6030 Dana Way
Antioch, TN 37013
USA

T: +1 615 501 0600
M: info.america@wirtgen-group.com

www.wirtgen-group.com/america

