

Compact inset and offset pavers.

# SLIPFORM PAVERS

SP 61 (i) | SP 62 (i) | SP 64 (i)



# THREE PAVERS - THREE WORLD-CLASS MACHINES

## **SP 61 (i) - The Versatile Offset Paver**

This versatile slipform paver is suitable for paving a wide variety of monolithic profiles with heights of up to 3.0 m.

WIRTGEN's offset molds are tailor-made to customer specifications and are available in a wide range of profile shapes.

Concrete surfaces with a paving width of up to 4.0 m can be paved without any problems using the offset method.

Special slipforms enable the production of concrete safety barriers with variable paving heights - for example from 1.0 m to 3.0 m.

The fully modular machine concept, easy reconfiguration, and add-on options provide enormous flexibility and the ability to adapt to the situation on any construction site.

## **SP 62 (i) - The Efficient Inset Paver**

This versatile 2-track slipform paver is suitable for a wide range of concrete paving tasks with widths of 3.5 m to 7.5 m and heights of up to 450 mm.

The fully modular machine concept, easy reconfiguration, and add-on options provide enormous flexibility and the ability to adapt to the situation on any construction site.

The 2-track machine's intelligent electronic steering and control concept and sensitive dual drive steering enable extremely precise concrete paving.

Easy configuration of the machine enables fast relocation and assures high machine utilization rates.

The particularly low ground pressure simplifies operations, even under challenging operating conditions.

## **SP 64 (i) - The Compact Inset Paver**

This versatile 4-track slipform paver impresses with an enormous variety of potential paving applications in road and airport construction at paving widths from 2.0 m to 7.5 m and a height of up to 450 mm (cannot be combined with all available options).

The machine concept enables the paving of exceptionally even paved surfaces.

The fully modular machine concept, easy reconfiguration, add-on options and hydraulic swing legs provide enormous flexibility and the ability to adapt to the situation on any construction site.

To ensure high-precision concrete paving, the intelligent electronic steering and control system ensures that the four track units can be independently controlled and positioned with pinpoint accuracy.

Precise insertion of tie-bars and dowels with a self-loading dowel bar inserter (optional) makes it possible to pave concrete over pre-placed steel rebar.

## WIRTGEN SLIPFORM PAVERS

### OFFSET SLIPFORM PAVERS

- > Offset paving width up to 4,000 mm <sup>1)</sup>
- > Offset paving height up to 3,000 mm <sup>1)</sup>

### PLACER / SPREADERS

- > Inset paving width up to 12,000 mm <sup>1)</sup>
- > Inset paving height up to 500 mm <sup>1)</sup>

### INSET SLIPFORM PAVERS

- > Inset paving width up to 16,000 mm <sup>1)</sup>
- > Inset paving height up to 450 mm <sup>1)</sup>

### TEXTURE CURING MACHINES

- > Working width up to 18,000 mm
- > Working height up to 500 mm

<sup>1)</sup> Special paving widths, paving thicknesses, paving heights, and other options available on request

# OVERVIEW OF HIGHLIGHTS SP 61 (i)

Perfectly Equipped

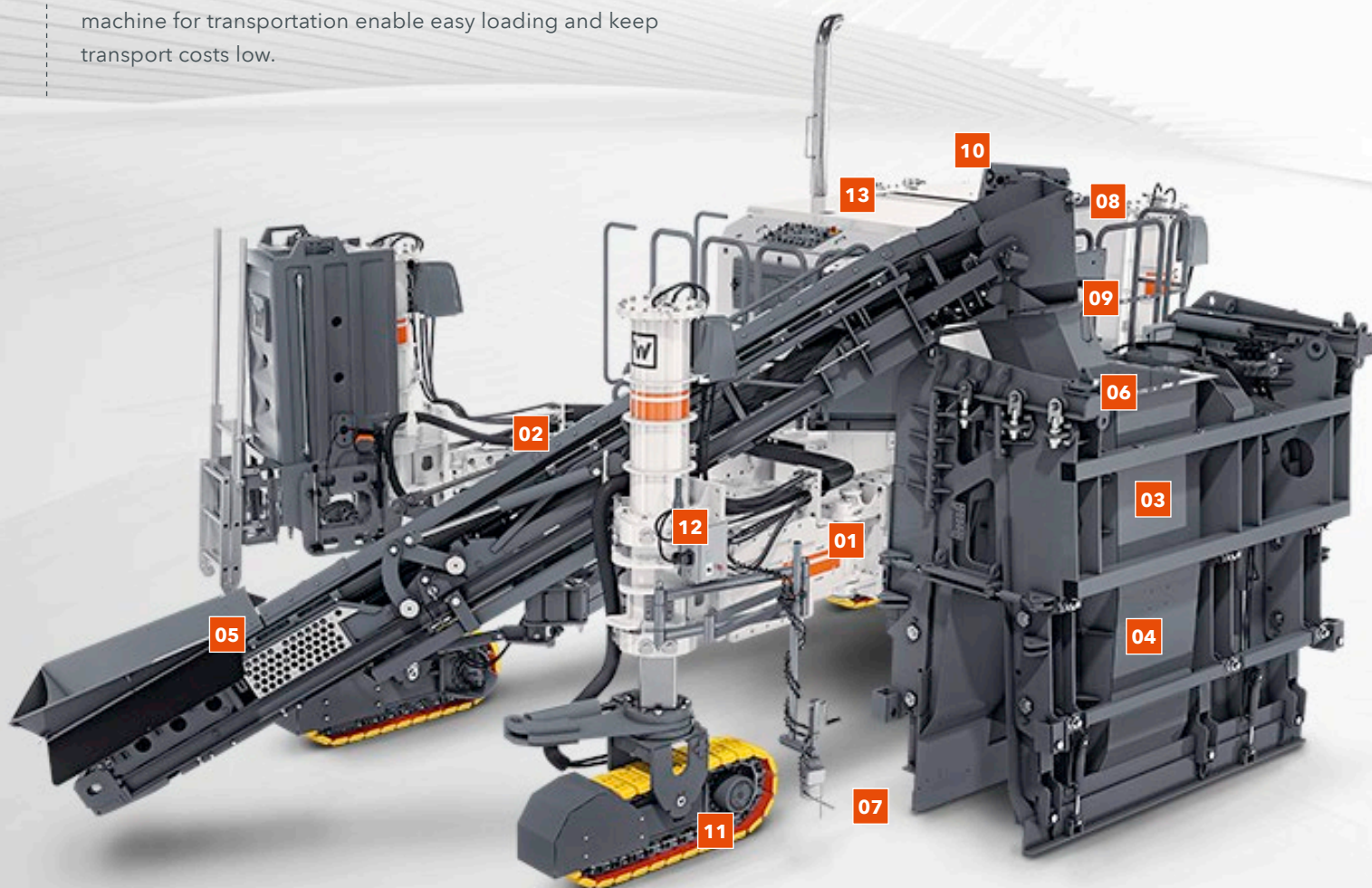
## MACHINE CONCEPT

### 01 Fully-Modular Machine Concept

The fully-modular concept enables flexible reconfiguration, retrofitting of additional options, and application-relevant adaptation of the machine to the situation on any construction site. It can even be quickly and easily converted to the inset paving configuration of the SP 64 (i).

### 02 Intelligent Transportation Concept

Compact dimensions, an optional folding belt conveyor, and the minimal time and effort needed to prepare the machine for transportation enable easy loading and keep transport costs low.



## CONCRETE EQUIPMENT

### 03 Extremely Flexible Concrete Paving

This slipform paver is ideal for perfect and precise paving of large or small monolithic offset profiles with heights of up to 3.0 m or widths of up to 4.0 m in its standard configuration.

### 04 Field-Proven Offset Slipforms

Users can choose from a wide range of field-proven, standard slipform profile shapes that can be mounted on either side of the machine. Custom slipforms for specific customer requirements can be realized and manufactured at short notice.

### 05 Flexible Concrete Feeding

The versatile, high-performance adjustable concrete feeding system can feed concrete to the machine either with an auger conveyor, a belt conveyor, or a folding belt conveyor available in various lengths.

### 06 Alternative Consolidation Technology

Depending on site requirements, the machine can be equipped with either a hydraulic or an electric vibrator drive.

### 07 Perfect Preparation of the Sub-Base

The use of a flexibly adjustable trimmer produces an even sub-base that ensures consistent profile paving quality.

## ENGINE TECHNOLOGY AND OPERATING

### 08 Efficient Engine Management

The "ECO Mode" option automatically adjusts engine output to momentary performance requirements to maximize fuel-efficiency and minimize noise emissions.

### 09 State-Of-The-Art Engine Technology

The high-tech engine of the SP 61 develops a high maximum rated output of 155 kW / 208 HP / 211 PS and is fully compliant with the EU Stage 3a / US EPA Tier 3 exhaust emission standards. The high-tech engine of the SP 61 i develops a high maximum rated output of 180 kW / 241 HP / 245 PS and is fully compliant with the EU Stage 5 / US EPA Tier 4f exhaust emission standards.

### 10 Perfect Ergonomics and Handling

The ergonomically designed operator's platform, the standardized, intuitive operating concept of all SP series machines, and outstanding all-round vision ensure comfortable and fatigue-free working.

## CONTROL AND STEERING

### 11 High-Precision Steering And Drive Systems

Intelligent steering and control systems assure extremely smooth operation - even in tight curves - and guarantee precise concrete paving results.

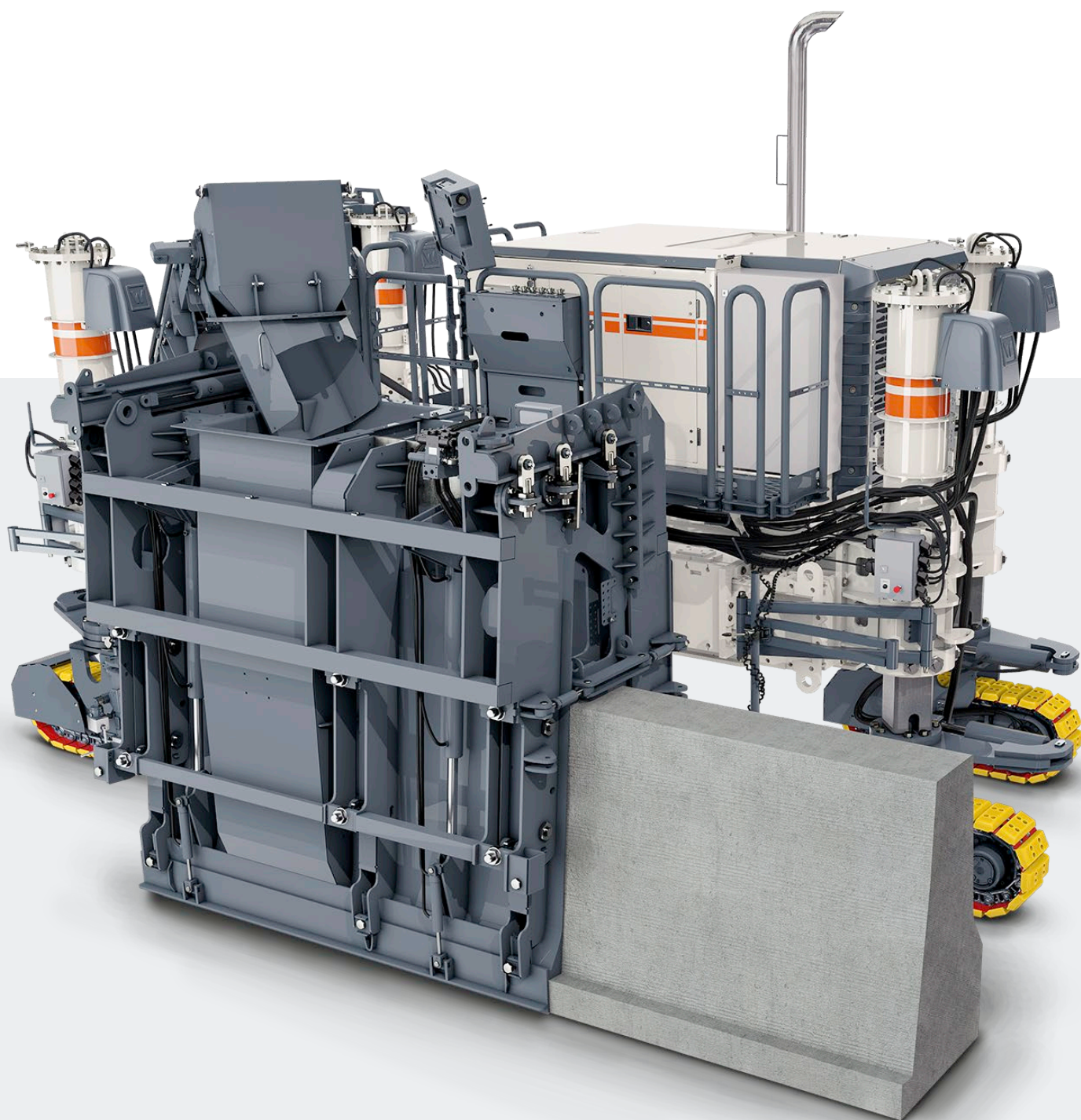
### 12 Machine Control Systems with Enhanced Intelligence

WIRTGEN's efficient WITOS FleetView telematics system supports fleet management, machine positioning and status monitoring, and maintenance and diagnostics processes.

### 13 Field-Proven 3D Interface

The field-proven interface assures verified compatibility with 3D control systems offered by leading suppliers.

# WIDE RANGE OF OFFSET APPLICATIONS WITH THE SP 61 (i)



**Up to 3 m High**

Repertoire includes extra-large profiles

**Reconfiguration for Inset Paving as Required**

Modular machine concept

### The Specialist for Large Profiles

In its standard configuration, the SP 61 (i) is designed for paving particularly large monolithic offset profiles up to a height of 3.0 m and offset road surfaces with a working width of up to 4.0 m .

### Wide Range of Offset Paving Applications

Its repertoire includes concrete safety barriers, curbs, curb / gutter profiles, drainage channels, gutters, narrow roads, service roads, cycleways, and special profiles.

### Custom-Built Offset Molds

Offset molds are available with a wide range of profile shapes, and also as custom versions constructed according to customers' specific needs. A wide variety of different types of reinforcement (unreinforced, with steel cables, fully reinforced) can also be integrated according to customer specifications.

### Variable Machine Concept

The adjustable positioning of the paving mold, the 3 or 4 track units and the concrete feeding system, enable adaptation of the paver to the needs of any construction site.

### Offset Profiles Can Be Mounted on Either Side

Offset molds can be mounted on either the left or the right of the paver.

### Fully-Variable Paving Of Large Profiles

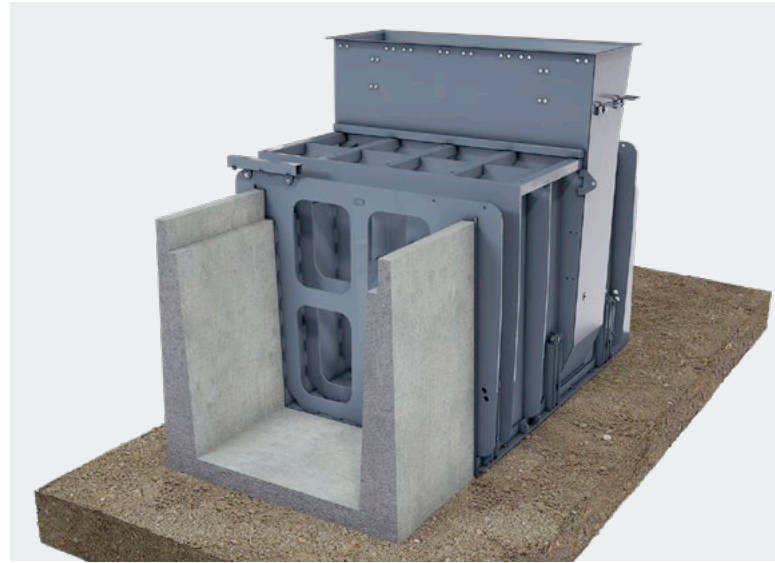
Special slipforms with two adjusters on each side make it possible to produce concrete safety barriers with variable paving heights - for instance, from 1.0 m to 3.0 m - and with a wide variety of profile shapes.

### Reconfiguration as an Inset Paver

The machine's modular design enables it to be reconfigured as a 4-track inset paver.

### Trimmer for Ensuring Consistently Even Concrete Paving Results

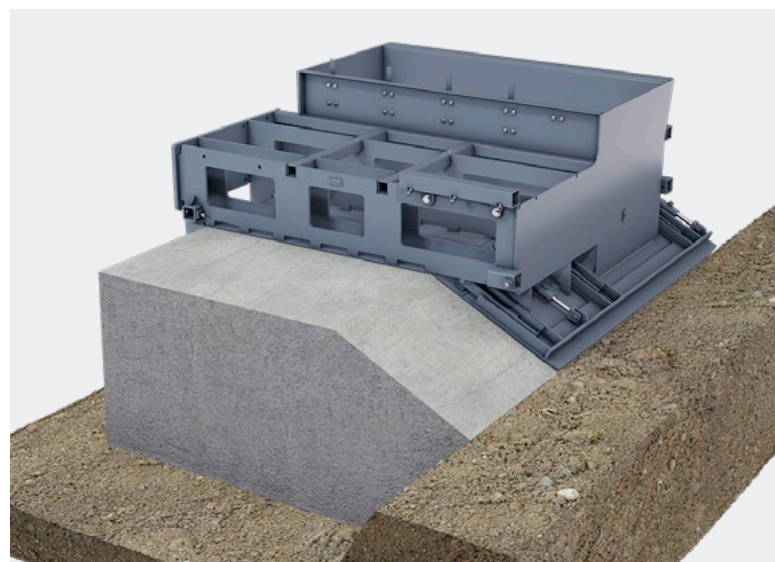
A Trimmer (optional) is the ideal solution for the preparation of insufficiently even sub-bases.



Free-standing U-channel profile: Width 1.8 m / height 1.5 m



Embedded water gutter profile: Width 2.0 m / height 1.2 m



Special profile: Width 2.0 m / height 1.2 m

# OVERVIEW OF HIGHLIGHTS SP 62 (i)

Perfectly Equipped

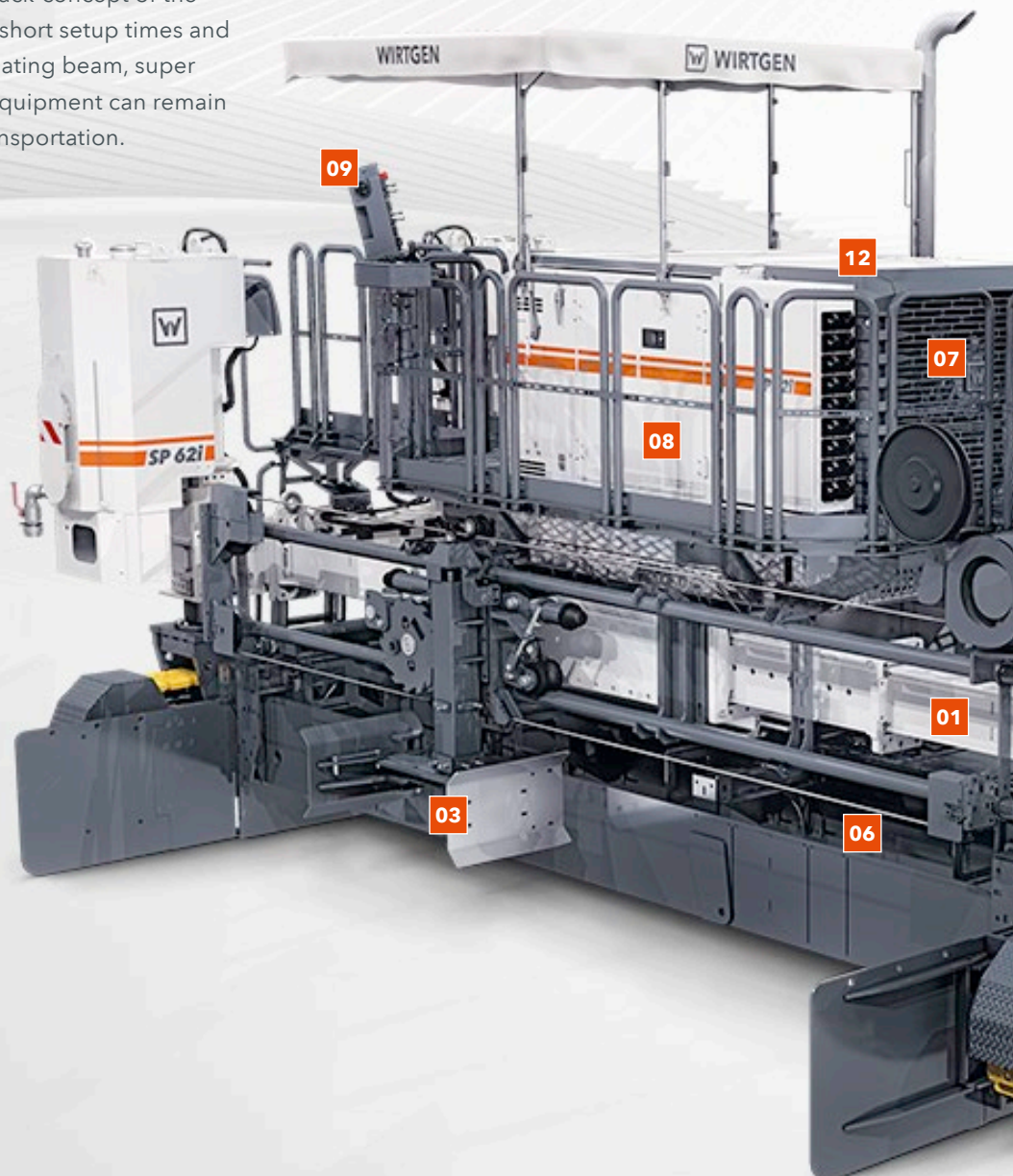
## MACHINE CONCEPT

### 01 Fully-Modular Machine Concept

The fully-modular concept enables flexible reconfiguration, retrofitting of additional options, and application-relevant adaptation of the machine to the situation on any construction site.

### 02 Intelligent Transportation Concept

Compact dimensions and the two-track-concept of the SP 62 (i) ensure easy transportation, short setup times and fast operational readiness. The oscillating beam, super smoother and concrete spreading equipment can remain mounted on the machine during transportation.





## CONCRETE EQUIPMENT

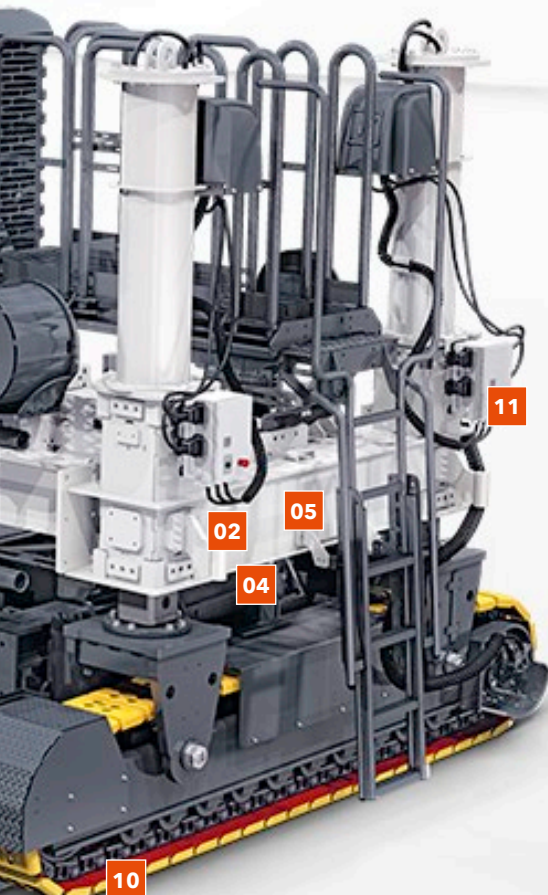
- 03 Extremely Flexible Concrete Paving**  
The slipform paver delivers consistently perfect and precisely paved concrete surfaces at widths ranging from 3.5 m to 7.5 m and paving heights of up to 450 mm.
- 04 Field-Proven Paving Mold**  
Compatible with the 910 m or 910 wm series of metric inset paving molds. 910 wm series molds are equipped with a wear sole as a standard feature and can be fitted with optional crown profiles.
- 05 Integrated Dowel and tie-bar Insertion on the Paver**  
Tie-bar inserters mounted in front of the paving mold and on either side of the machine are also available on request.
- 06 Alternative Consolidation Technology**  
Depending on site requirements, the machine can be equipped with either a hydraulic or an electric vibrator drive. In the standard version, the machine is equipped with 12 hydraulic connections (can be increased to 18) and the option of 18 or 24 electrical connections.

## ENGINE TECHNOLOGY AND OPERATING

- 07 Efficient Engine Management**  
The "ECO Mode" option automatically adjusts engine output to momentary performance requirements to maximize fuel-efficiency and minimize noise emissions.
- 08 State-Of-The-Art Engine Technology**  
The high-tech engine of the SP 62 develops a high maximum rated output of 155 kW / 208 HP / 211 PS and is fully compliant with the EU Stage 3a / US EPA Tier 3 exhaust emission standards. The SP 62i features cutting-edge engine technology with a high maximum rated output (180 kW / 241 HP / 245 PS) that fulfills EU Stage 4 / US EPA Tier 4f exhaust emission standards.
- 09 Perfect Ergonomics and Handling**  
The ergonomically designed operator's platform, the standardized, intuitive operating concept for all SP series models, and outstanding all-round vision reduce the operator's workload.

## CONTROL AND STEERING

- 10 High-Precision Steering And Drive Systems**  
Intelligent control systems for extremely smooth operation and the sensitive track steering guarantee high-precision concrete paving.
- 11 Machine Control Systems with Enhanced Intelligence**  
WIRTGEN's efficient WITOS FleetView telematics system supports fleet management, machine positioning and status monitoring, and maintenance and diagnostics processes.
- 12 Field-Proven 3D Interface**  
The field-proven interface assures verified compatibility with 3D control systems offered by leading suppliers.



# OVERVIEW OF HIGHLIGHTS SP 64 (i)

Perfectly Equipped

## MACHINE CONCEPT

### 01 Rugged Machine Construction

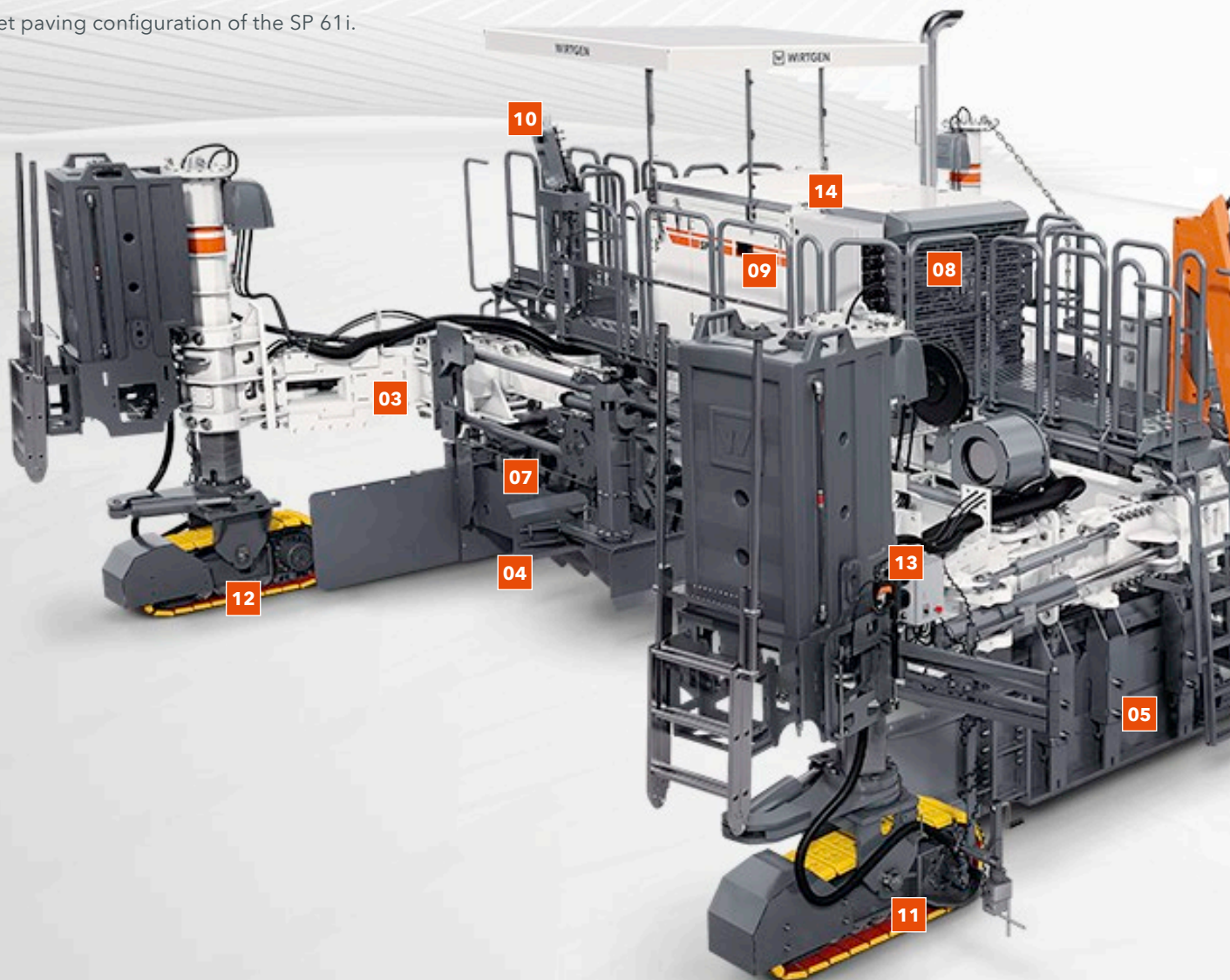
The machine's rugged construction guarantees consistent, high-output concrete paving and precise paving results, even under challenging site conditions.

### 02 Fully-Modular Machine Concept

The fully-modular concept enables flexible reconfiguration, retrofitting of additional options, and application-relevant adaptation of the machine to the situation on any construction site. It can even be converted to the offset paving configuration of the SP 61i.

### 03 Intelligent Transportation Concept

Compact dimensions and the minimal time and effort required to prepare the machine for transportation make loading easy and minimize transport costs. Depending on the configuration, the dowel bar inserter or oscillating beam, super smoother, and concrete spreader can remain mounted to the machine during transport.



## CONCRETE EQUIPMENT

### 04 Extremely Flexible Concrete Paving

The standard version of the slipform paver is capable of paving perfect and precise concrete surfaces with widths from 2.00 m to 7.50 m and heights of up to 450 mm. Paving widths of up to 6.00 m can be realized with standard paver configurations including a dowel bar inserter (DBI) and electric vibrator drive.

### 05 Field-Proven Paving Mold

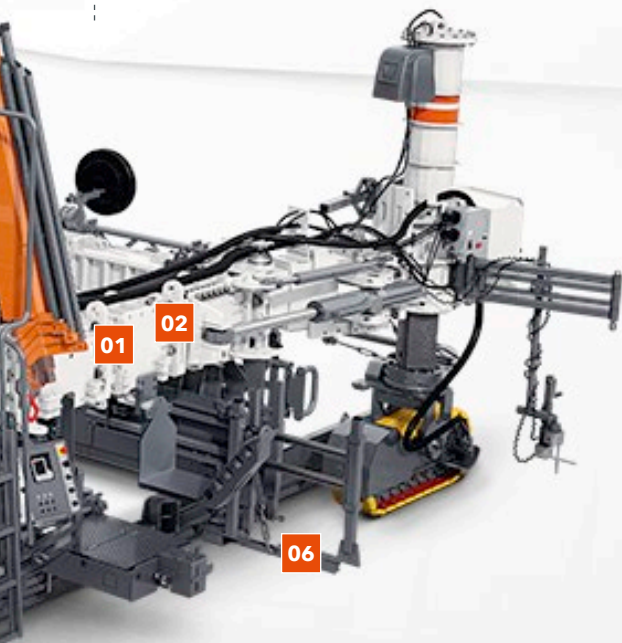
Compatible with the 910 m or 910 wm series of metric inset paving molds. The 910 wm series comes standard with a wear sole and can be equipped with an optional crown feature.

### 06 Integrated Dowel and tie-bar Insertion on the Paver

A self-loading dowel bar inserter, a tie-bar inserter, and side tie-bar inserter(s) are available on request.

### 07 Alternative Consolidation Technology

Depending on site requirements, the machine can be equipped with either a hydraulic or an electric vibrator drive. In the standard version, the machine is equipped with 12 hydraulic connections (can be increased to 18) and the option of 18 or 24 electrical connections.



## ENGINE TECHNOLOGY AND OPERATING

### 08 Efficient Engine Management

The "ECO Mode" option automatically adjusts engine output to momentary performance requirements to maximize fuel-efficiency and minimize noise emissions.

### 09 State-Of-The-Art Engine Technology

The high-tech engine of the SP 64 develops a high maximum rated output of 155 kW / 208 HP / 211 PS and is fully compliant with the EU Stage 3a / US EPA Tier 3 exhaust emission standards. The high-tech engine of the SP 64 i develops a high maximum rated output of 180 kW / 241 HP / 245 PS and is fully compliant with the EU Stage 4 / US EPA Tier 4f exhaust emission standards.

### 10 Perfect Ergonomics and Handling

The ergonomically designed operator's platform, the standardized, intuitive operating concept for all SP series models, and outstanding all-round vision reduce the operator's workload.

## CONTROL AND STEERING

### 11 High-Precision Steering And Drive Systems

Intelligent steering and control systems assure extremely smooth operation - even in tight curves - and guarantee precise concrete paving results.

### 12 Steering Functions for Higher Productivity

Numerous optional and standard steering features such as hydraulic swing legs and innovative worm gear steering considerably increase productivity on construction sites.

### 13 Machine Control Systems with Enhanced Intelligence

WIRTGEN's efficient WITOS FleetView telematics system supports fleet management, machine positioning and status monitoring, and maintenance and diagnostics processes.

### 14 Field-Proven 3D Interface

The field-proven interface assures verified compatibility with 3D control systems offered by leading suppliers.

# MACHINE CONCEPT

SP 62 (i) / SP 64 (i)

## High-Precision Concrete Paving

Extremely rugged machine construction

## Fully Modular

Wide range of applications



### 01 Easy Upgrades

Standard interfaces allow the machine to be upgrading with individual options at any time.

### 02 Telescoping Machine Frame

The hydraulically telescoping machine frame makes it easier to reconfigure the slipform paver.

### 03 Fully-Modular Machine Concept

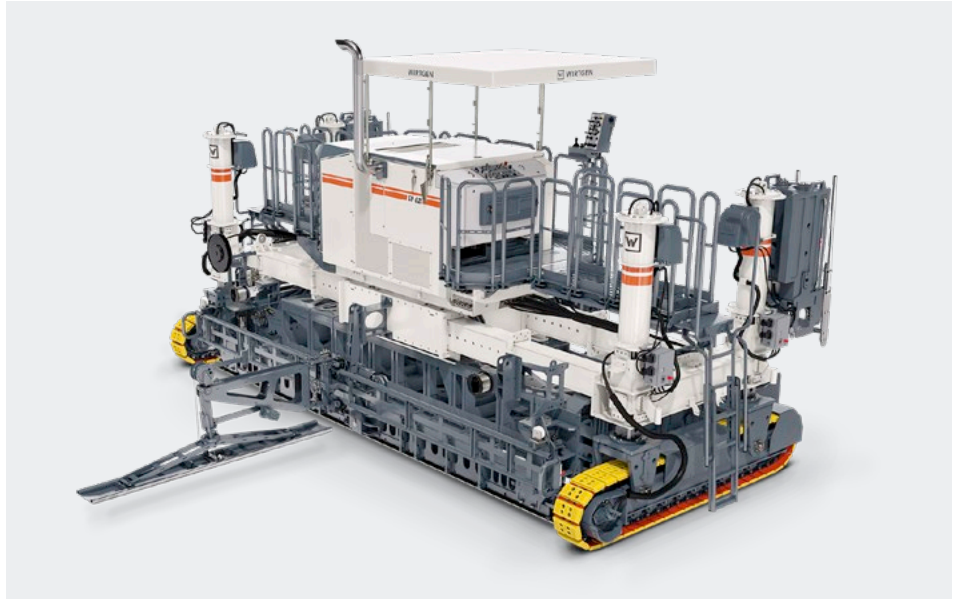
The machine's fully modular design helps solve a wide variety of inset paving challenges.

### 04 Simple Reconfiguration

Easy reconfiguration and retrofitting of additional components for the solution of problems in complex and challenging customer-specific paving scenarios.

### 05 Pivoting Track Units (SP 64 (i) only)

Crawler units with a wide slewing angle guarantee maximum flexibility on the job site.



SP 62(i) with two track units.



### **Rugged Construction**

The extremely rugged design and construction of the machine frame, track units, and swing legs make it possible to achieve high-precision paving results and high daily production rates.

### **Ideal Machine Weight**

Considerations with respect to the weight of the machine enabled the achievement of an ideal-balance between stable paving characteristics and outstanding transportability.

### **Rapid Preparation for Relocation**

SP 62(i): The minimal preparation effort required for relocating the machine shortens setup times and optimizes machine utilization rates.

SP 64(i): the four movable swing legs (also available as a hydraulic activated option) make it possible to switch quickly from transport to working mode and provide outstanding flexibility when setting up the machine at a new location.

### **COMPACT CONSTRUCTION**

Maneuverability and compact machine dimensions make maneuvering and shunting as easy as possible.

### **CUSTOMIZABLE MACHINE TECHNOLOGY**

The reliable adaptability of the machine technology to the situation on any construction site expands the range of possible applications and increases productivity.

### **TWO OR FOUR TRACK UNITS**

The slipform paver is available as both two-track or four-track versions. The four-track paver can also be converted from offset to inset configuration.

# CONCRETE EQUIPMENT

## SP 62 (i) / SP 64 (i)

### Hydraulic Vibrators

The machine comes standard with 12 hydraulic connections to power the hydraulic vibrators (optionally available: 18).

### Electric Vibrators

The machine can be equipped with 18 electrical connections to power the electric vibrators (optionally available: 24).

### Separate Side tie-bar Inserters

The insertion of side tie-bars enables the paving of adjacent lanes or strips and prevents them drifting apart.

### AUTOMATIC LONGITUDINAL TIE-BAR INSERTER

Longitudinal joint tie-bars are inserted automatically to prevent slabs drifting apart at lengthwise joints.

### CONTROL UNIT FOR LONGITUDINAL TIE-BAR INSERTER

A separate control unit for each longitudinal tie-bar inserter makes it easy to perform adjustments on-the construction site.

#### 01 Spreader Plow or Auger

A spreader plow or spreading auger ensures that the concrete deposited in front of the mold is spread evenly.

#### 02 Metric Paving Molds

The 910 m or 910 wm series metric inset paving molds with wear soles enable professional concrete paving with stiff concrete consistencies.

#### 03 Concrete Surfacing with Crown Profile

Concrete surfaces with a crown slope of up to 3% can be easily produced.

#### 04 Oscillating beam

The heavy, eccentric-driven oscillating beam removes irregularities and ensures the evenness of the concrete surface and is automatically raised when the machine is stopped.

#### 05 Super Smoother

The oscillating super smoother made of high-quality material ensures perfect surface quality.

#### 06 Concrete Surfaces from 2.00 m to 7.50 m Wide

Precise, high-quality concrete paving of roads and surfaces with widths from 2.00 m to 7.50 m - and up to 6.00 m with a dowel bar inserter.

#### 07 Paving Heights of up to 450 mm

Paving up to a height of 450 mm - larger paving heights can be realized on request.

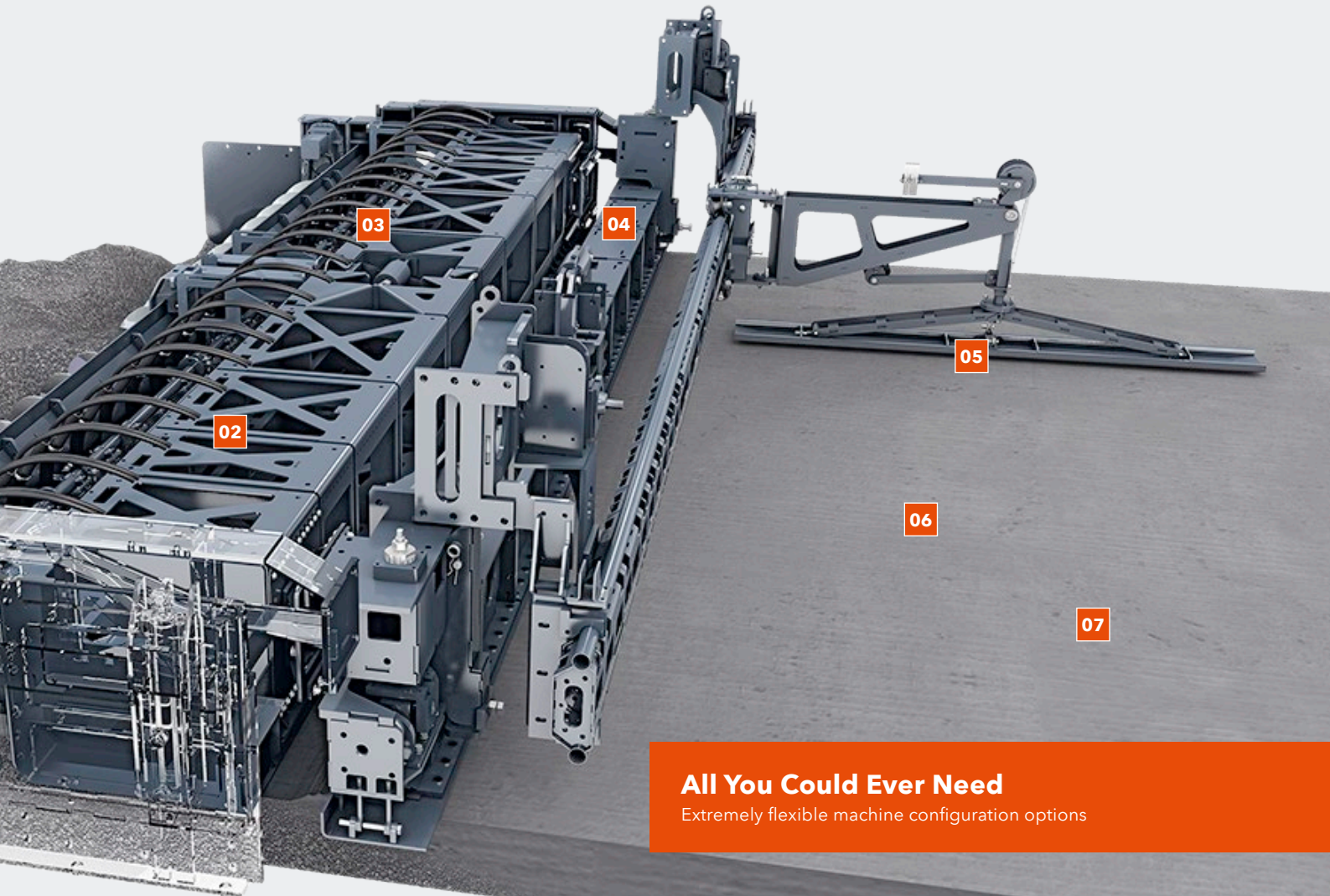




Separate side tie-bar inserter.



Longitudinal tie-bar inserter with control unit.



**All You Could Ever Need**

Extremely flexible machine configuration options

# CONCRETE EQUIPMENT

## SP 64 (i)

### 01 Efficient Dowel Bar Inserter

The inserted dowels assure a uniform height of adjacent slabs and enable the transfer of shear forces from slab to slab.

### 02 Automated Dowel-Bar Insertion Process

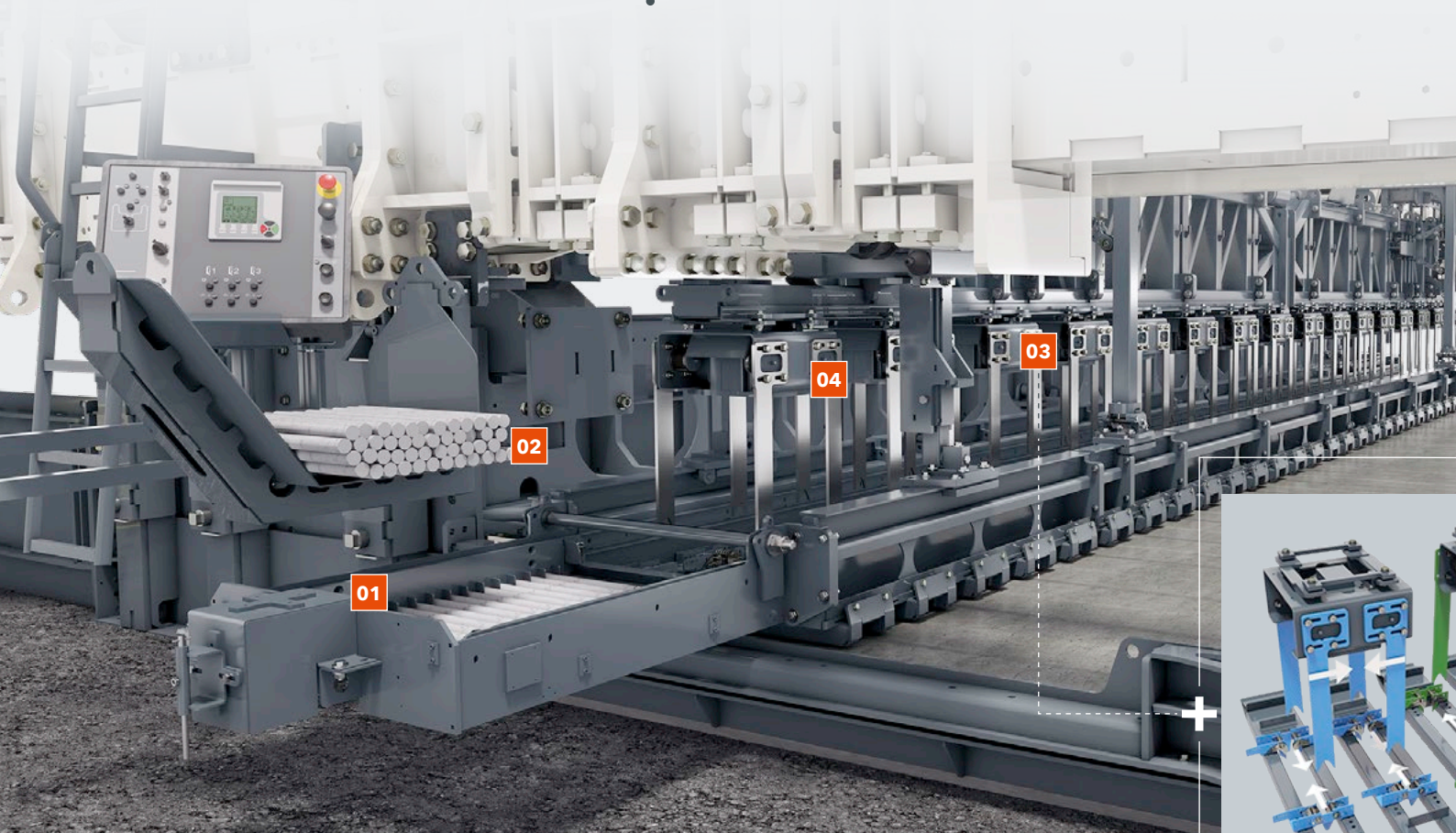
After manually loading the distribution trolley, the press of a button is all it needs to automatically distribute the dowels and begin the automatic dowel bar insertion process.

### 03 Minimum Effort with a Varying Dowel-Bar Plan

The dowel bar inserter's modular design makes it easy to modify the dowel-bar plan (number, spacing, length, diameter of dowels) with very little time and effort.

### 04 Optimized Dowel Bar Insertion Process

The combination of hydraulic cylinders with a built-in position measuring system and proportional valves optimizes the dowel bar insertion process and the accurate positioning of the dowels in the already consolidated concrete. Paving concrete surfaces without rebar cages simplifies site logistics and considerably reduces material and process costs.



**Easy Transportation**

Self-Loading Dowel Bar Inserter

**Versatile and Reliable**

Perfect dowel insertion



### **Integrated Position Measuring System for Precise Dowel / tie-bar Spacing**

Sensors installed in the track units accurately determine the distance traveled and special software determines the spacing between the successive rows of dowels or tie-bars to be inserted in the concrete.

### **Optimally Integrated Control**

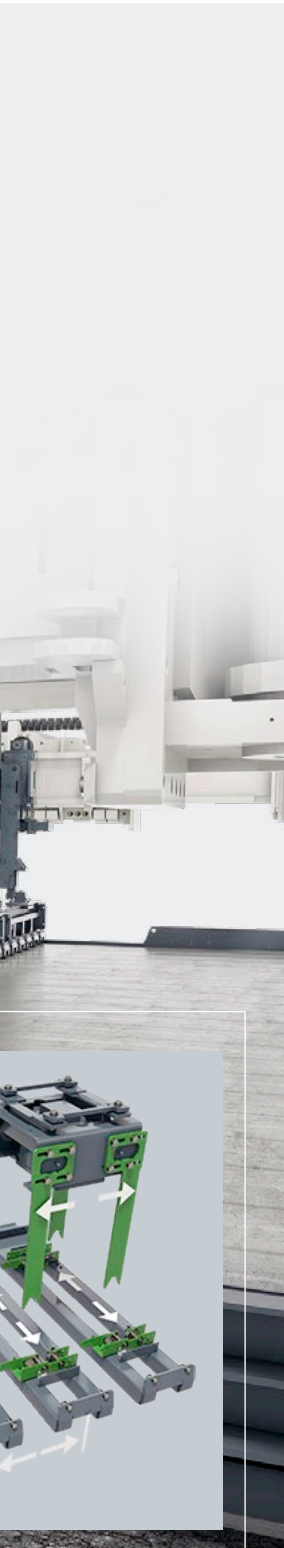
The dowel bar inserter's control system is fully integrated into the slipform paver's flexibly upgradeable CAN bus system.

### **Separate Control Console for Inserters**

The control console with innovative software and a standardized operating concept is fully integrated into the machine control system of all SP series pavers. It can be moved to any position and makes it easy to enter the dowel-bar plan and the insertion parameters for the dowel bar and tie-bar inserters.

### **Self-Loading Dowel Bar Inserter**

The innovative self-loading technology makes it easy to transport the machine and quickly set it up at the construction site without the need for costly loading cranes. The heavy-duty hydraulic cylinders remain mounted on the dowel bar inserter both during transport and when in operation.



Self-loading dowel bar inserter.

# ENGINE TECHNOLOGY AND OPERATING

SP 62 (i) / SP 64 (i)



## Fatigue-Free Working

Ergonomically designed operator's platform

## Quiet and Economical

Efficient ECO mode

**01 Ergonomics**

The ergonomically designed operator's platform increases the operator's performance and thus the productivity of the entire machine.

**02 State-of-the-Art Control Console**

With its state-of-the-art display screen and unambiguous, language-neutral symbols, the control console boosts productivity on the construction site.

**03 Standardized Operating Concept**

The standardized, self-explanatory operating concept used on all currently available SP series models brings additional synergy effects.

**04 Load-Optimized ECO Mode Engine Management Reduces the Operator's Workload**

Automatic, load-optimized regulation of engine output guarantees optimum engine efficiency, maximizes fuel economy, and minimizes noise emissions. The ECO mode detects every working situation without the need for manual intervention by the operator.



Ergonomically optimized, clearly laid-out control panel.

**Engine Exhaust Emissions Compliant with EU Stage 3a / US EPA Tier 3 Standards**

The powerful diesel engines of the SP 62 and SP 64 are compliant with EU Stage 3a / US EPA Tier 3 exhaust emission standards.

**Engine Exhaust Emissions Compliant with EU Stage 5 / US EPA Tier 4f Standards**

The powerful diesel engines of the SP 62i and SP 64i models fulfill the stringent requirements of the EU Stage 5 / US EPA Tier 4f exhaust emission standards.

**Powerful Diesel Engines**

The powerful diesel engines consistently guarantee efficient and effective concrete paving in the optimum power and torque range.

**Ideal All-Round Vision**

The particularly spacious operator's platform provides an ideal overview of the paving process.

**Optional Foldaway Weather Canopy**

The foldaway weather canopy makes it possible to work in all kinds of weather.

**Quick and Easy Maintenance**

Easy access to all maintenance and inspection points minimizes maintenance requirements.

# CONTROL AND STEERING

## SP 62 (i) / SP 64 (i)

### Service Diagnostics System

WIDIAG, the service diagnostics system with a standardized interface, enables technicians to quickly diagnose errors while the paver is still on the construction site.

### Upgradeable CAN-BUS System

The installed CAN-BUS system can be upgraded to enable easy addition of future options.

### EFFICIENT WITOS TELEMATICS SYSTEM

Developed by WIRTGEN, the WITOS FleetView telematics system supports fleet management, machine positioning and status monitoring, and maintenance and diagnostics processes.

### Unrivaled Cross Slope Control (Optional)

The innovative electronic cross slope control system developed by WIRTGEN enables considerably shorter machine

response times for the achievement of perfect results when paving roadways with widths of up to 4.0 m with only one stringline.

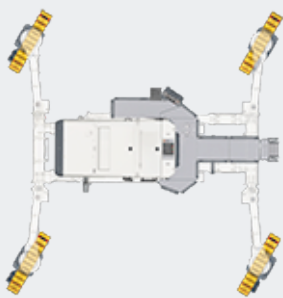
### Standardized Interface Option for 3D Control Systems

The integrated standard interface provides the ideal preconditions for concrete paving with state-of-the-art 3D systems. Strict approval procedures evaluate and confirm compatibility with 3D control systems from leading suppliers and assure high levels of operational reliability.

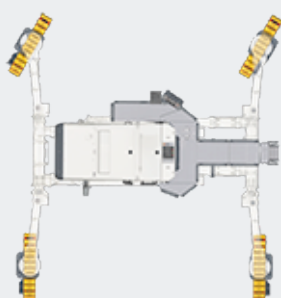
### Four Steering Modes (SP 64 (i))

Four different steering modes allow easy repositioning and maneuvering and make the machine easier to handle on the construction site.

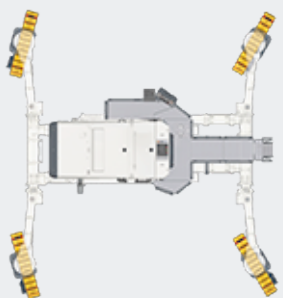
### The Steering Modes of the SP 64 (i)



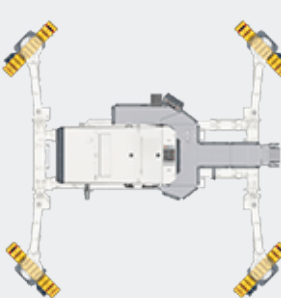
Lateral repositioning



Rear-only / front-only steering

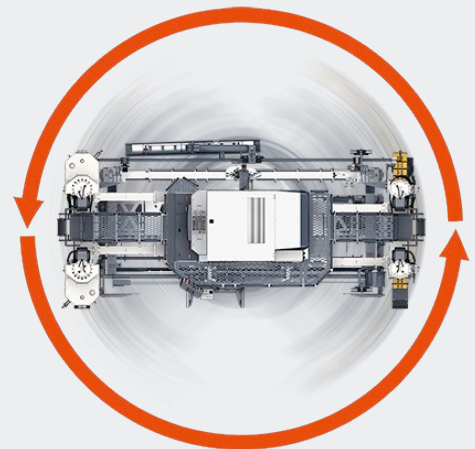


Coordinated steering



Rotation

### Turning On the Spot



For optimum maneuverability, the two track units of the SP 62 (i) can be driven in opposite directions at the push of a button, causing the slipform paver to rotate around its own axis.

## Outstanding Operational Reliability

Software developed in-house

## Precise Paving around Corners

Automatic speed adjustment for all four track units

### 01 High-Precision Advance Motor Control

The high-precision control of the advance motors guarantees smooth travel without jolting, even at extremely low speeds.

### 02 High-Quality Machine Control System

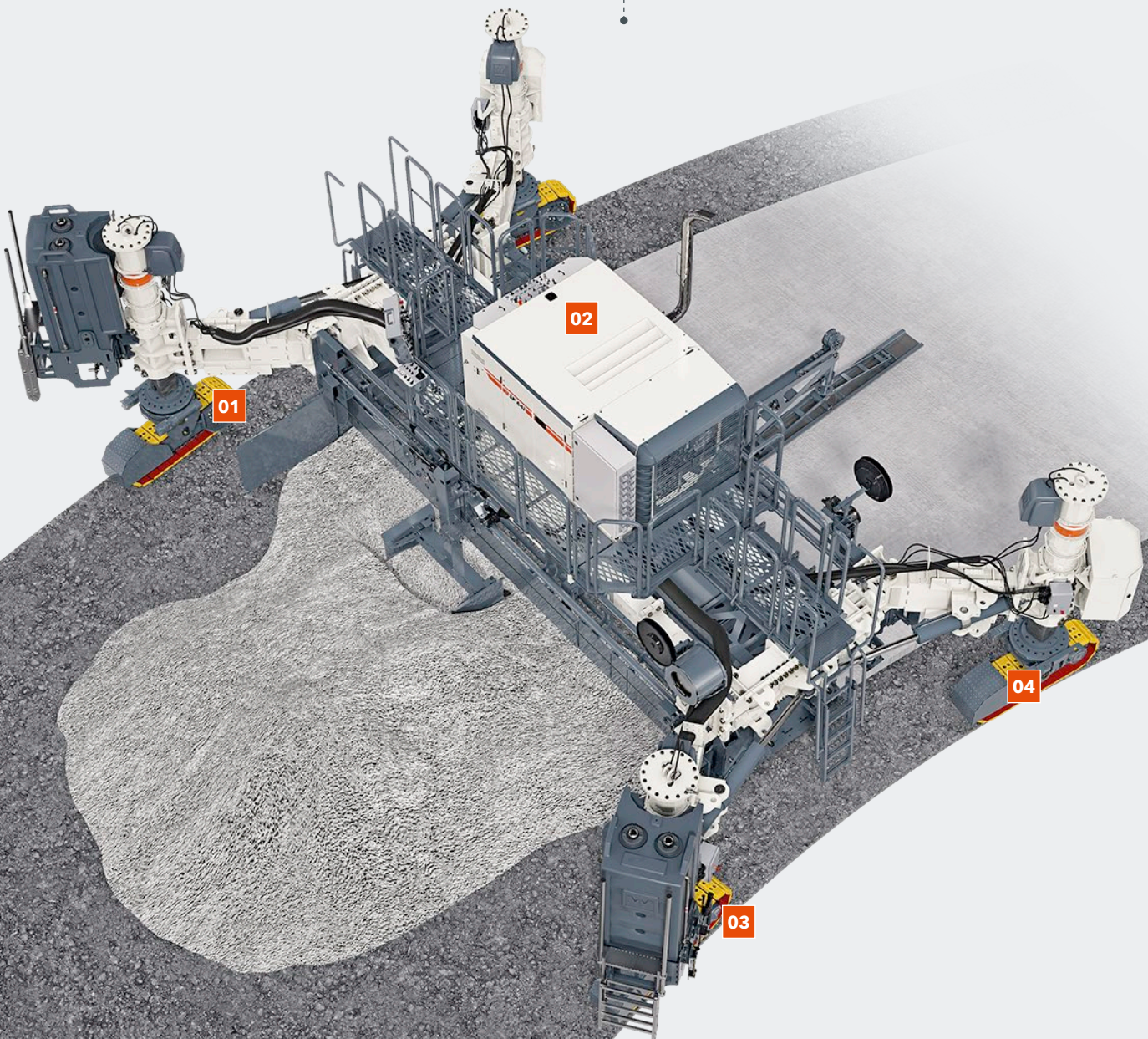
The high-quality machine control system with software developed by WIRTGEN increases both operating safety and the slipform paver's range of applications.

### 03 Speed Adjustment

The computer-assisted speed adjustment for each individual track unit enables project briefs to be fulfilled with pinpoint precision, even when paving in curves.

### 04 Steering Angle Adjustment / Field-Proven Steering of Each Track Unit

In the case of the SP 64(i), the fully automatic adjustment of the steering angle of each track unit optimizes the machine's positioning accuracy and thus enables extremely precise concrete paving results. Alternatively, in the case of the SP 62(i), the sensitive track steering system ensures precise positioning during paving and best concrete quality when paving in curves.



# CONTROL AND STEERING

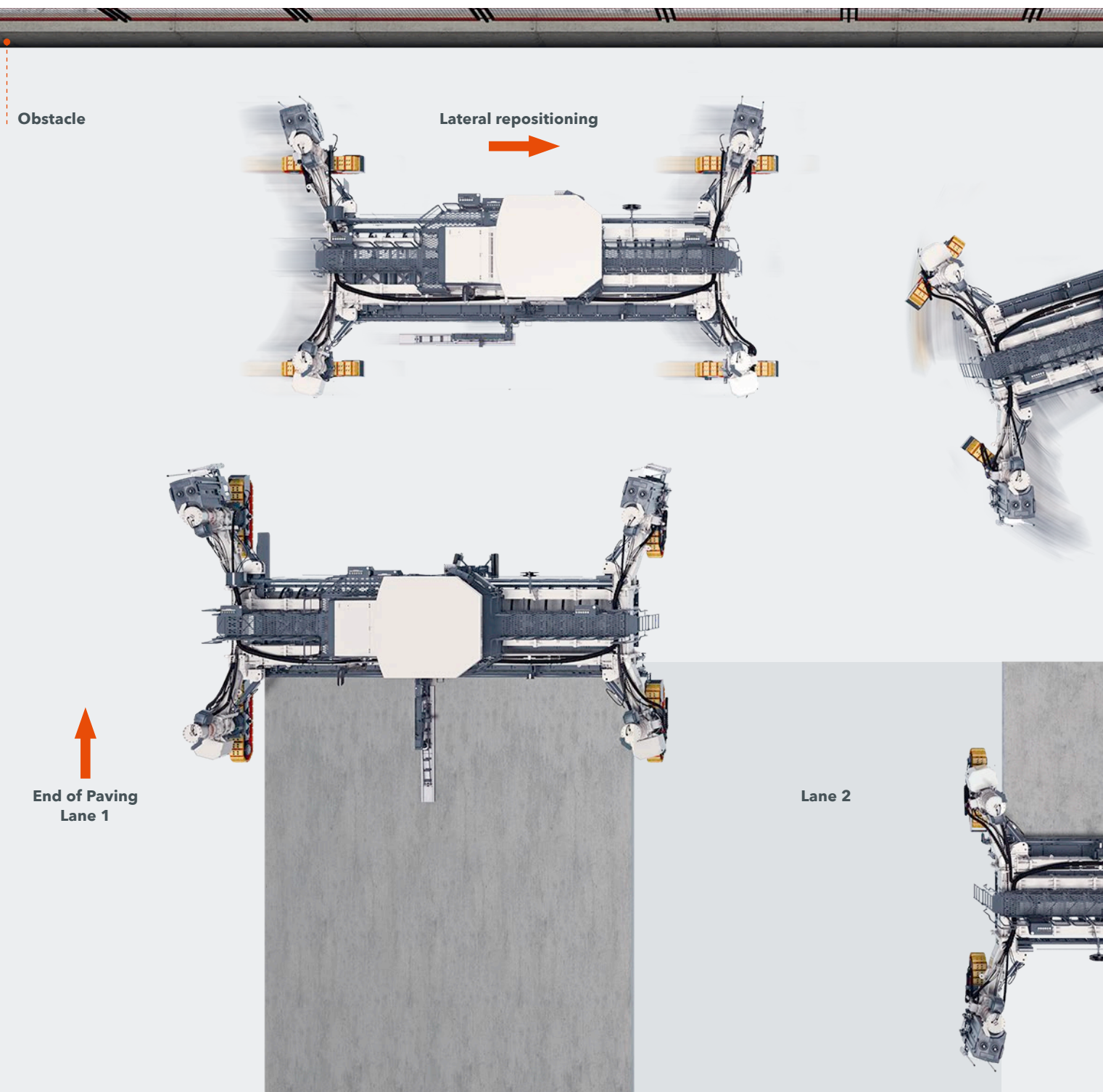
SP 64 (i)

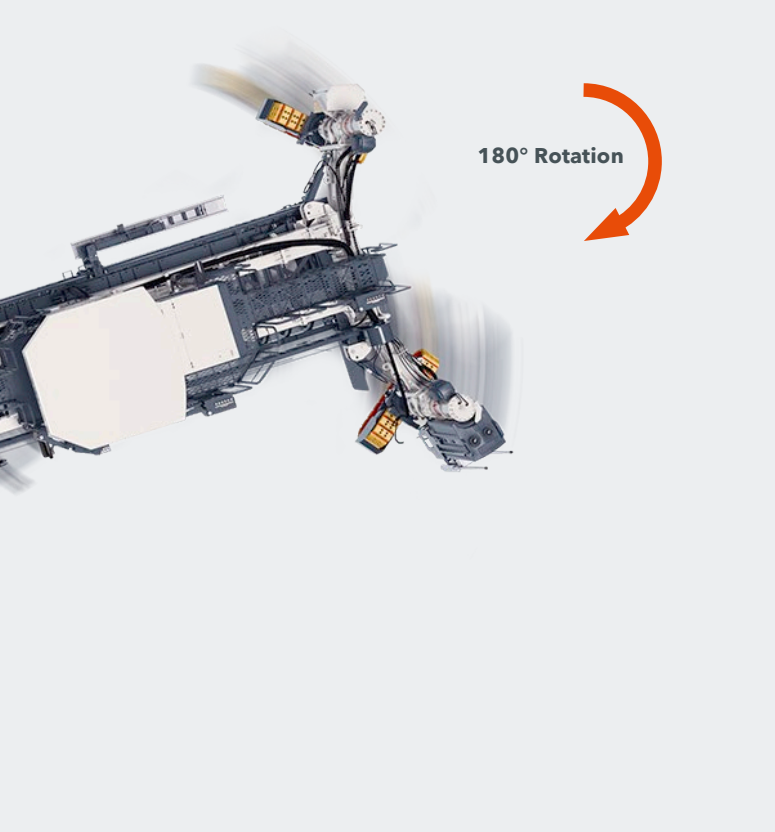
## The Ace-in-the Hole in Tight Spaces

Enormously large steering angle

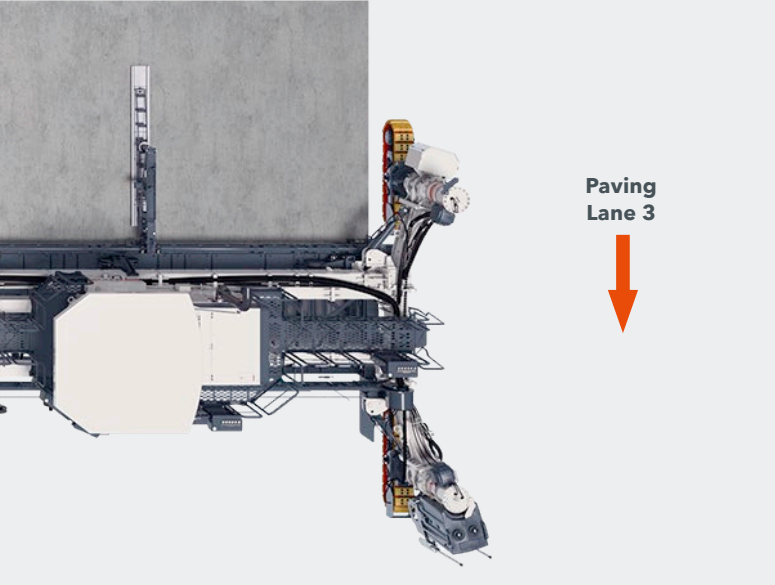
## Fast Turning

Turning on the spot





180° Rotation



Paving Lane 3

**Innovative Worm Gear Steering**

The track units' steering angles of up to 100° to the left and 160° to the right increase flexibility, for instance with the ability to pave right up to and around obstacles, particularly when paving on construction sites with limited room to maneuver.

**Crab-Mode with Track Units at a Steering Lock Angle of 90°**

Worm gear steering enables the machine to travel sideways with the track units rotated by 90°. At the same time, this reduces time-consuming manual paving at the end of the lane, which is otherwise frequently unavoidable on confined construction sites.

**Turning On the Spot**

Turning on the spot by means of track units with extreme wide steering angles eliminates the need for time-consuming turning maneuvers on confined construction sites.

**Paving Plus Package**

An additional sensor system mounted on the swing legs can be used to optimize machine control.

# CONTROL AND STEERING

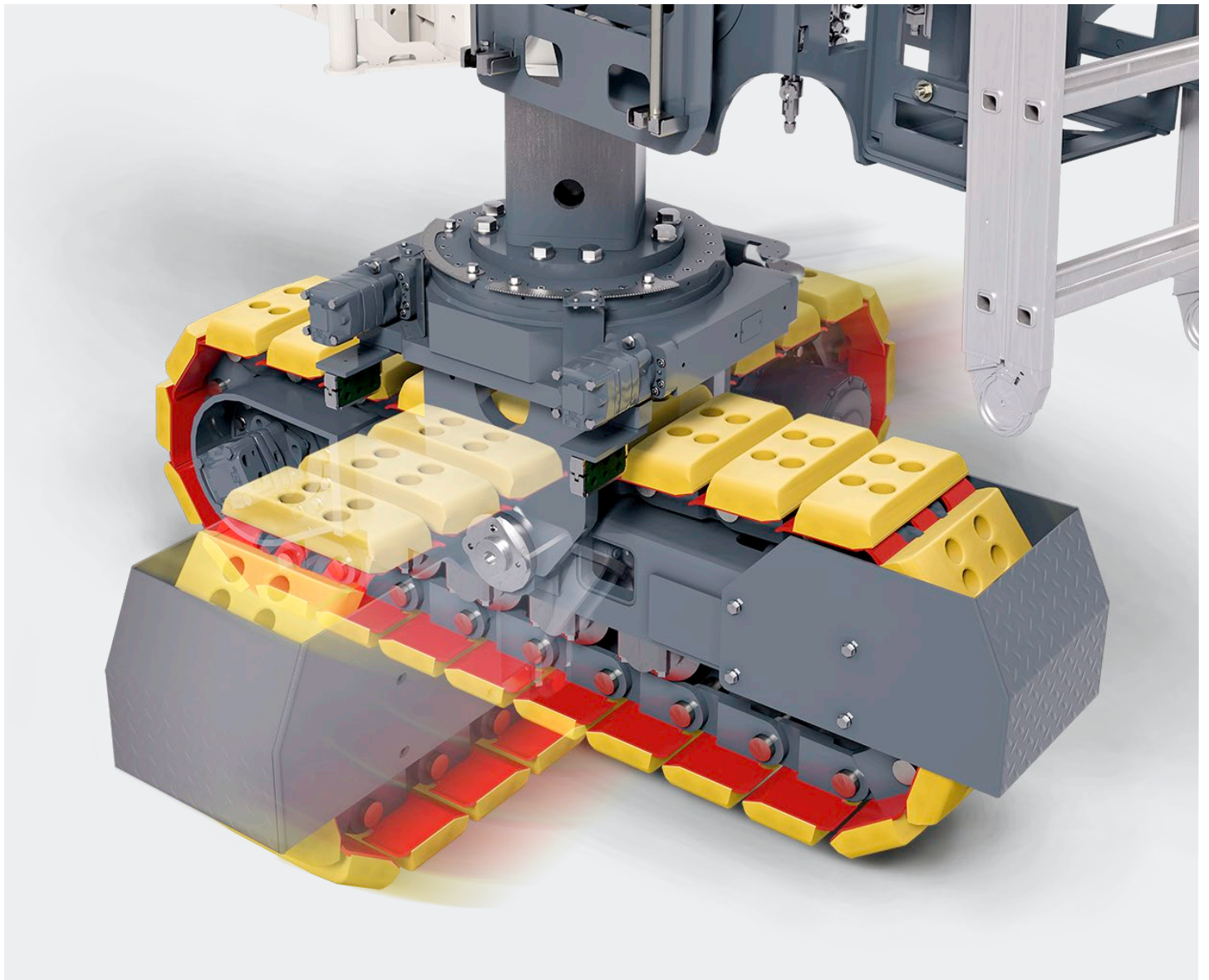
## SP 64 (i)

### Hydraulically Adjustable Swing Legs for Easy Transportation

The ability to quickly swing out or swing in all four swing legs when switching between transport and operating modes makes machine transportation and setup at new locations much easier.

### Hydraulically Adjustable Swing Legs for Improved Ergonomics

Hydraulic adjustment of the swing legs improves both ergonomics and user-friendliness.

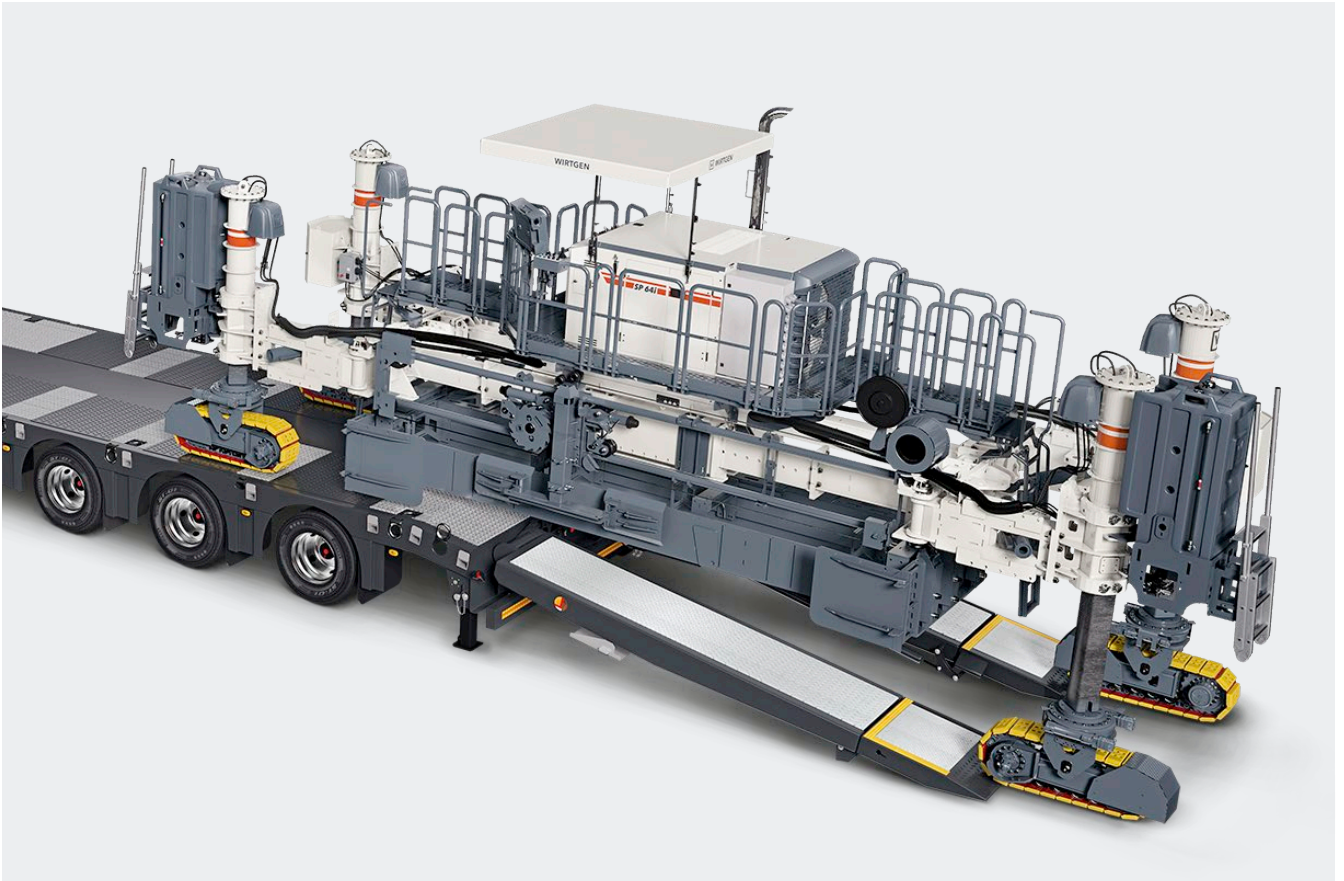
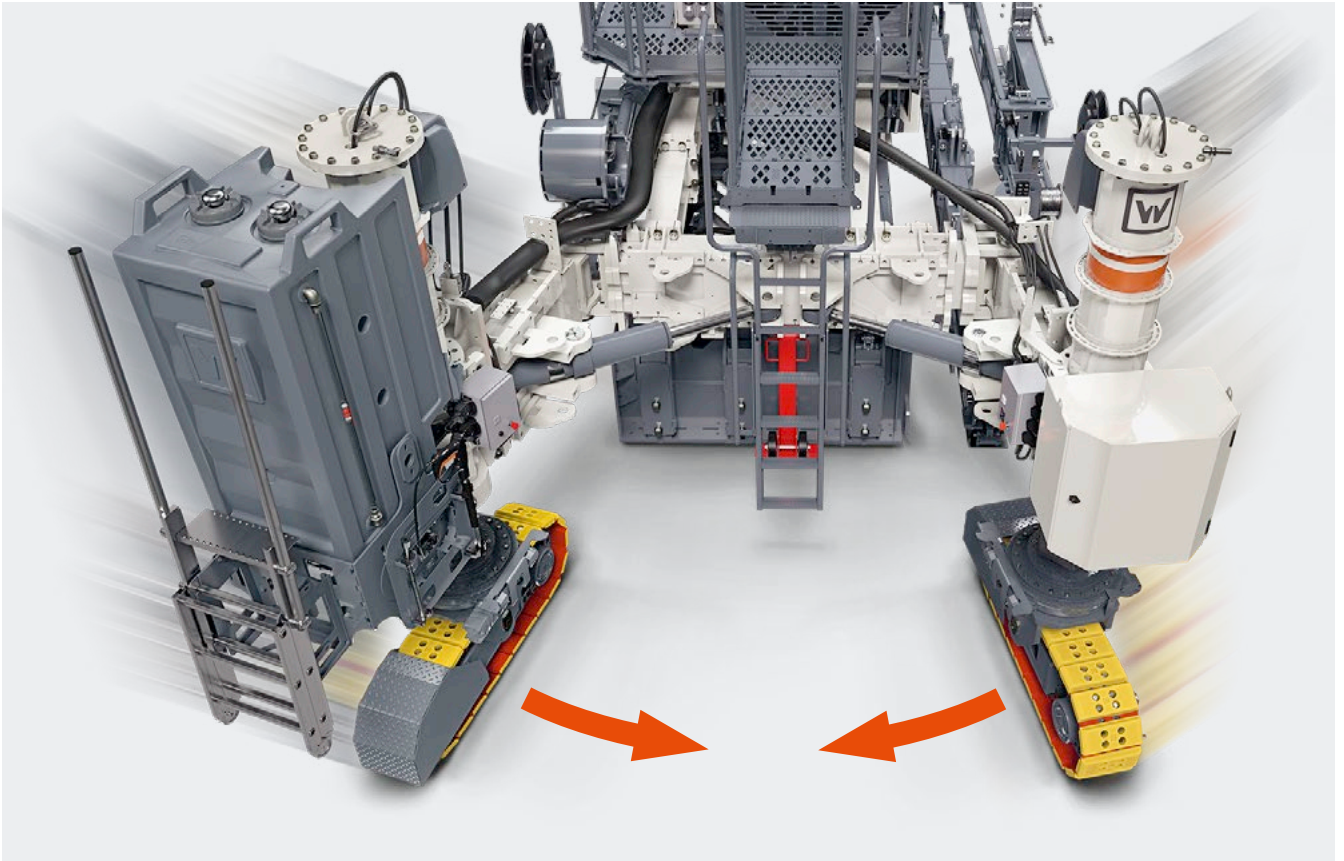


Worm gear steering with track units at a steering lock angle of 90°.



## Optimized Machine Transportation

Hydraulically adjustable swing legs



Hydraulic swing legs for easy transportation and a high degree of flexibility on construction sites.





### SP 61 (i) - The Multipurpose Offset Paver

This versatile slipform paver is ideal for paving a wide variety of monolithic profiles with heights of up to 3.0 m.

### SP 62 (i) - The Cost-Efficient Inset Paver

This versatile 2-track slipform paver is ideal for a wide range of concrete paving needs with widths from 3.5 m to 7.5 m and thicknesses of up to 450 mm.

### SP 64 (i) - The Compact Inset Paver

This versatile 4-track slipform paver impresses with an enormous variety of applications in road and airport construction at paving widths from 2.0 m to 7.5 m and a thickness of up to 450 mm (cannot be combined with all options).



TECHNICAL SPECIFICATIONS	SP 61	SP 61 i
Applications	Offset paving	
<b>Concrete Feeding</b>		
Belt conveyor	Length: 5,900 mm, belt width: 600 mm	
Folding belt conveyor (optional)	Length: 6,000 mm, belt width: 600 mm	
Auger conveyor, short (optional)	Length: 4,600 mm, auger diameter: 400 mm	
Auger conveyor, long (optional)	Length: 5,700 mm, auger diameter: 400 mm	
Discharge chute	Steel or rubber	
<b>Concrete Mold</b>		
Position	Left/right	
Max. mold height	3,000 mm <sup>1)</sup>	
Max. mold width	4,000 mm <sup>1)</sup>	
<b>Vibrators and Circuits</b>		
Hydraulic vibration	6 connectors (optional: 12 connectors)	
Electric vibration	18 connectors	
Hydraulically powered vibrators	Straight (D66)	
Electrically powered vibrators	Straight (D76)	
<b>Trimmer (Optional)</b>		
Standard width	600 mm	
Max. width	1,600 mm <sup>2)</sup>	
Working depth	0 - 150 mm	
Cutting diameter	500 mm	
Hydraulic height adjustment	400 mm	
Mechanical height adjustment	300 mm	
Trimmer laterally adjustable	1,300 mm	
<b>Engine</b>		
Engine manufacturer	Deutz	Deutz
Type	TCD 2012 L06 2V	TCD6.1 L6
Cooling	Water	Water
Number of cylinders	6	6
Nominal power rating	at 2,300 rpm: 155 kW / 208 HP / 211 PS	at 2,100 rpm 180 kW / 241 HP / 245 PS
Displacement	6,057 cm <sup>3</sup>	6,057 cm <sup>3</sup>
Fuel consumption under full load   <sup>2)</sup> / <sub>3</sub> load	42 l/h   17 l/h	46 l/h   18 l/h
Engine sound power level according to EN 500-6   on operator's platform	≤ 102 dB(A)   ≥ 80 dB(A)	≤ 102 dB(A)   ≥ 80 dB(A)
Exhaust emission standard	EU Stage 3a / US EPA Tier 3	EU Stage 5 / US EPA Tier 4f

TECHNICAL SPECIFICATIONS	SP 61	SP 61 i
<b>Electrical system</b>		
Power supply	24 V DC	
Electric vibration	110 V AC 3~ / 200 Hz	
<b>Tank Capacities</b>		
Fuel tank	400 l	400 l
AdBlue® / DEF <sup>3)</sup>	-	32 l
Hydraulic oil, electrical vibration	200 l	200 l
Hydraulic oil, hydraulic vibration	400 l	400 l
Water	550 l + 550 l	
<b>Handling Characteristics</b>		
Advance speed during paving	0 - 6 m/min	
Travel speed in driving gear	0 - 21 m/min	
<b>Track Units</b>		
Number	3 or 4	
Type B0: Dimensions (L x W x H)	1,590 x 300 x 570 mm	
<b>Height Adjustment</b>		
Hydraulic	1,100 mm	
Mechanical (hole pattern)	400 mm	
<b>Machine Weights</b>		
Operating weight, CE <sup>4)</sup>	16,000 - 27,500 kg	
Trimmer, working width 600 mm	1,300 kg	
Belt conveyor	1,550 kg	
Folding belt conveyor	1,800 kg	
Auger conveyor	2,650 kg	

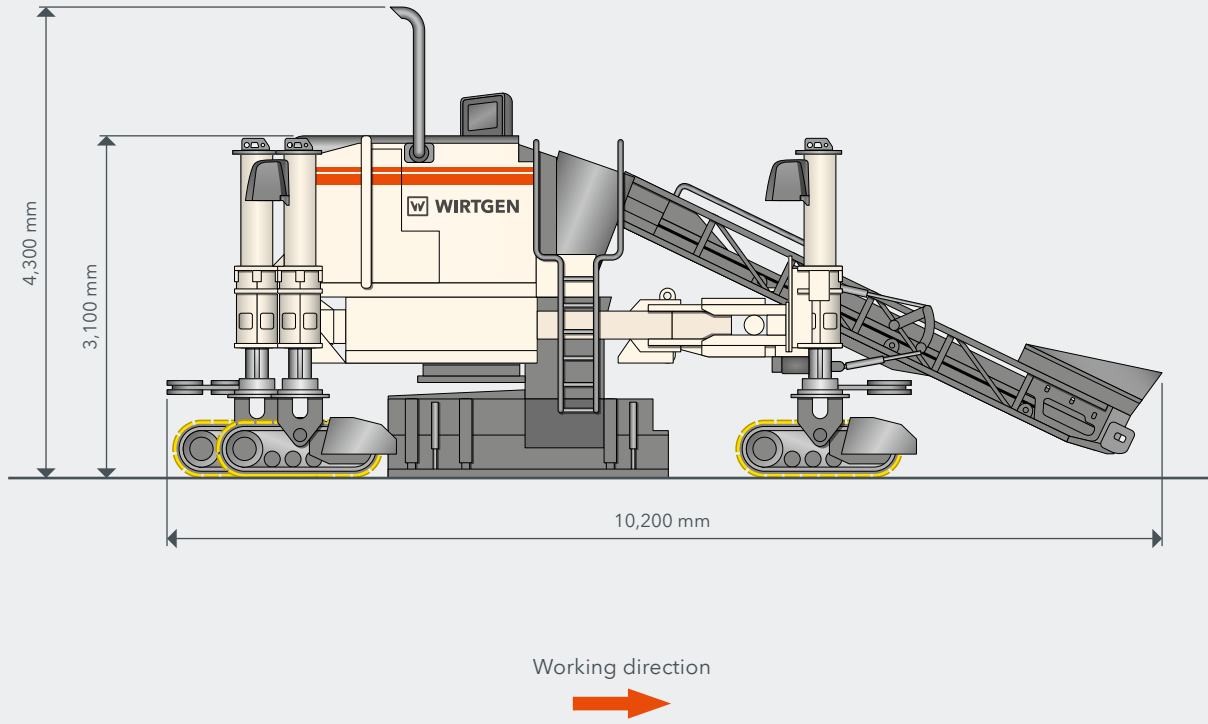
<sup>1)</sup> Other offset geometries and special applications on request

<sup>2)</sup> Custom widths available on request

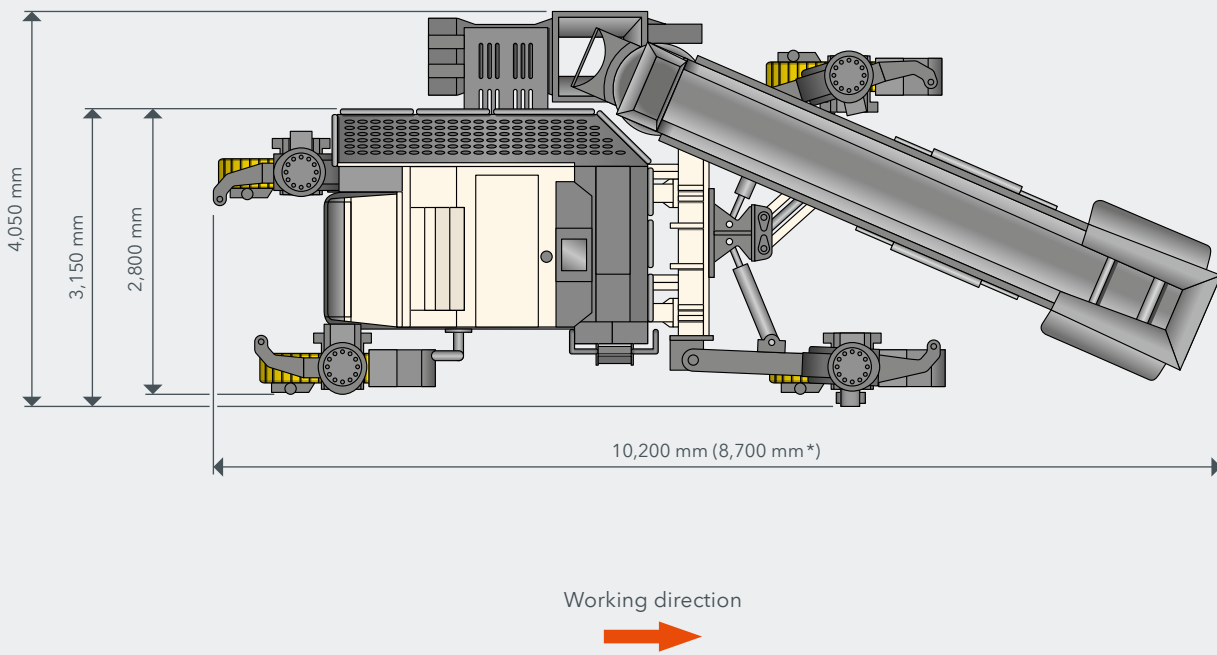
<sup>3)</sup> AdBlue® is a registered trademark of the German Association of the Automotive Industry (Verband der Automobilindustrie e. V.; VDA)

<sup>4)</sup> Machine weight, half weight of all consumables, machine operator (75 kg), tools, no optional equipment; weights depend on the actual equipment installed and the working width

SIDE VIEW SP 61 (i)



## TOP VIEW SP 61 (i)



\* Optional folding belt conveyor

STANDARD EQUIPMENT	SP 61	SP 61 i
<b>Basic Machine</b>		
> Basic machine consisting of engine station and mechanically telescoping front and rear frame sections, including pre-fitting for three or four track units	■	■
> Fuel tank 400 liters	■	■
> Electrical system (24 V)	■	■
> Cooling system with temperature-controlled fan speed	■	■
> Hydraulic system including an adequately sized hydraulic oil tank and a pump transfer gearbox with 2 output shafts and the pumps required for the machine's basic equipment package	■	■
<b>Main Frame and Height Adjustment</b>		
> Heavy-duty steel frame telescoping in increments by 750 mm each on both sides, front and rear	■	■
> The machine frame is pre-fitted with multiple mounting points for the modular addition of a variety of equipment features	■	■
> Offset paving molds can be connected to the frame on the left or right side of the machine	■	■
> Frame sections for mechanical telescoping in increments by 0.75 m	□	□
<b>Crawler Units and Chassis Linkage</b>		
> Paving speed with B0 track units: 0 to 6 m/min	■	■
> Transport speed with B0 track units: 0 to 21 m/min	■	■
> Model with three B1 track units (4 rollers), fitted with triple-grouser steel track pads	□	□
> Model with one manually pivoting track unit connection, front	□	□
<b>Machine Control, Leveling and Steering</b>		
> WI-CONTROL - high-quality control system ensuring perfect interaction between all machine features	■	■
> Error messages are displayed on the machine's control screen	■	■
> The existing CAN-bus system can be expanded to customer specifications	■	■
> ECO mode: performance-optimized engine management system for reduced diesel consumption and low noise emissions	■	■
> Proportional electrohydraulic leveling and steering by means of a PLC system including two leveling sensors and two steering sensors	■	■
> Sensor mounting brackets, adjustable in height and range	■	■
> Three hydraulic leveling cylinders with a stroke of 1.10 m	■	■
> Cylinder steering for design with 3 crawler units	□	□
<b>Vibration</b>		
> Hydraulic vibrator drive for max. 6 vibrators	□	□
> Two straight vibrators D66, hydraulically driven	□	□
<b>Concrete Equipment for Offset Paving</b>		
> Offset paving mold up to 0.60 m wide, max. height of 0.40 m	□	□



STANDARD EQUIPMENT	SP 61	SP 61 i
<b>Operator's Platform</b>		
> Ergonomically designed operator's platform providing a perfect view of the paving process	■	■
> Two control panels with clear, language-independent labeling for ergonomic operation	■	■
> Control panel 1 for machine setup according to site requirements	■	■
> Control panel 2 with multifunctional control screen providing the operator with all relevant machine parameters and allowing settings to be made via a menu; the control panel can be adjusted to all directions of travel and paving configurations	■	■
> One control panel can be stored in the engine compartment; the second control panel can be protected against vandalism and weather by means of a lockable cover	■	■
> Automatic recognition of each machine configuration provides easy orientation for the machine operator	■	■
<b>Concrete Feeding System</b>		
> Belt conveyor 6.00 m x 0.60 m, in folding design, with reversible hydraulic drive, hydraulically adjustable	□	□
> Steel chute	□	□
<b>Miscellaneous</b>		
> Paving Plus package: pivot angle display, speed indicator and fully digital Ackermann steering	■	■
> Large tool kit in lockable tool box	■	■
> Comprehensive safety package with EMERGENCY STOP switches	■	■
> Pre-fitting for installing the WITOS FleetView control unit	■	■
> Filling of the machine's hydraulic system with mineral hydraulic oil	■	■
> Standard painting in RAL 9001 (cream)	□	□
> WITOS - professional telematics solution for machine operation and service optimization	□	□
> Lighting system including 3 halogen working lights, 24 V	□	□

■ = Standard equipment

□ = Standard equipment, can be replaced with optional equipment if desired

□ = Optional equipment

OPTIONAL EQUIPMENT	SP 61	SP 61 i
<b>Main Frame and Height Adjustment</b>		
> Frame sections for continuous hydraulic telescoping by 1.75 m on both sides, resulting in a total telescoping capability of 3.50 m	<input type="checkbox"/>	<input type="checkbox"/>
<b>Crawler Units and Chassis Linkage</b>		
> Model with three B1 track units (4 rollers), fitted with polyurethane track pads	<input type="checkbox"/>	<input type="checkbox"/>
> Model with four B1 track units (4 rollers), fitted with triple-grouser steel track pads	<input type="checkbox"/>	<input type="checkbox"/>
> Model with four B1 track units (4 rollers), fitted with polyurethane track pads	<input type="checkbox"/>	<input type="checkbox"/>
> Model with two manually pivoting track unit connections, front	<input type="checkbox"/>	<input type="checkbox"/>
> Model with one hydraulically pivoting track unit connection, front	<input type="checkbox"/>	<input type="checkbox"/>
> Model with two hydraulically pivoting track unit connections, front	<input type="checkbox"/>	<input type="checkbox"/>
<b>Machine Control, Leveling and Steering</b>		
> Cylinder steering for design with 4 crawler units	<input type="checkbox"/>	<input type="checkbox"/>
> Cross-slope sensor	<input type="checkbox"/>	<input type="checkbox"/>
> Additional control console for track unit adjustment	<input type="checkbox"/>	<input type="checkbox"/>
> Two slab tracers	<input type="checkbox"/>	<input type="checkbox"/>
> Four slab tracers	<input type="checkbox"/>	<input type="checkbox"/>
> Control unit for manual track unit steering	<input type="checkbox"/>	<input type="checkbox"/>
> Pre-fitting for 3D leveling	<input type="checkbox"/>	<input type="checkbox"/>
> Electrical fitting for external 3D leveling	<input type="checkbox"/>	<input type="checkbox"/>
> Additional slope sensors for 3D leveling	<input type="checkbox"/>	<input type="checkbox"/>
<b>Vibration</b>		
> Hydraulic vibrator drive for max. 12 vibrators	<input type="checkbox"/>	<input type="checkbox"/>
> Electric vibrator drive with 40-kVA generator for max. 18 vibrators	<input type="checkbox"/>	<input type="checkbox"/>
> Two straight vibrators D66, electrically driven	<input type="checkbox"/>	<input type="checkbox"/>
> Two curved vibrators D66, hydraulically driven	<input type="checkbox"/>	—
> Two curved vibrators D66, electrically driven	<input type="checkbox"/>	—
> Straight vibrator D66, hydraulically driven	<input type="checkbox"/>	<input type="checkbox"/>
> Straight vibrator D66, electrically driven	<input type="checkbox"/>	<input type="checkbox"/>
> Curved vibrator D66, hydraulically driven	<input type="checkbox"/>	<input type="checkbox"/>
> Curved vibrator D76, electrically driven	<input type="checkbox"/>	<input type="checkbox"/>
<b>Concrete Feeding System</b>		
> Auger conveyor 4.60 m x 0.40 m with reversible hydraulic drive, hydraulically adjustable	<input type="checkbox"/>	<input type="checkbox"/>
> Auger conveyor 5.70 m x 0.40 m with reversible hydraulic drive, hydraulically adjustable	<input type="checkbox"/>	<input type="checkbox"/>
> Steel-rubber chute is used to guide the concrete to the offset mold	<input type="checkbox"/>	<input type="checkbox"/>
<b>Concrete Equipment for Offset Paving</b>		
> Offset paving mold from 0.60 m to 1.20 m wide, max. height of 0.40 m	<input type="checkbox"/>	<input type="checkbox"/>
> Offset paving mold from 1.20 m to 1.80 m wide, max. height of 0.40 m	<input type="checkbox"/>	<input type="checkbox"/>
> Offset paving mold up to 0.90 m high, max. base width of 0.60 m, including hopper	<input type="checkbox"/>	<input type="checkbox"/>
> Offset paving mold up to 1.30 m high, max. base width of 0.60 m, including hopper	<input type="checkbox"/>	<input type="checkbox"/>
> Offset paving mold up to 0.60 m wide, max. height of 0.40 m	<input type="checkbox"/>	<input type="checkbox"/>
> Split offset paving mold up to 0.60 m wide, max. height of 0.40 m	<input type="checkbox"/>	<input type="checkbox"/>
> Split offset paving mold from 0.60 m to 1.20 m wide, max. height of 0.40 m	<input type="checkbox"/>	<input type="checkbox"/>
> Rigid mount for offset paving mold	<input type="checkbox"/>	<input type="checkbox"/>
> Bottom part for split offset paving mold (AV) up to 0.60 m wide (max. height of 0.40 m)	<input type="checkbox"/>	<input type="checkbox"/>
> Bottom part for split offset paving mold (AV) from 0.60 m to 1.20 m wide (max. height of 0.40 m)	<input type="checkbox"/>	<input type="checkbox"/>
> Set of hydraulic components for adjusting the sideplate of an EV offset paving mold	<input type="checkbox"/>	<input type="checkbox"/>
> Set of hydraulic components for adjusting the sideplate of an AV offset paving mold	<input type="checkbox"/>	<input type="checkbox"/>

OPTIONAL EQUIPMENT	SP 61	SP 61 i
<b>Offset Trimmer</b>		
> Trimmer, basic width, 0.60 m, for mounting on the left side	<input type="checkbox"/>	<input type="checkbox"/>
> Trimmer - extension 0.20 m wide, for mounting on the left side	<input type="checkbox"/>	<input type="checkbox"/>
> Trimmer - extension 0.40 m wide, for mounting on the left side	<input type="checkbox"/>	<input type="checkbox"/>
> Trimmer, basic width, 0.60 m, for mounting on the right side	<input type="checkbox"/>	<input type="checkbox"/>
> Trimmer - extension 0.20 m wide, for mounting on the right side	<input type="checkbox"/>	<input type="checkbox"/>
> Trimmer - extension 0.40 m wide, for mounting on the right side	<input type="checkbox"/>	<input type="checkbox"/>
<b>Operator's Platform</b>		
> Weather canopy for operator's platform with manual fold-down feature	<input type="checkbox"/>	<input type="checkbox"/>
<b>Miscellaneous</b>		
> Painting in one special color (RAL)	<input type="checkbox"/>	<input type="checkbox"/>
> Painting in two special colors (RAL)	<input type="checkbox"/>	<input type="checkbox"/>
> Model without WITOS	<input type="checkbox"/>	<input type="checkbox"/>
> Lighting system including 4 halogen working lights, 24 V	<input type="checkbox"/>	<input type="checkbox"/>
> High-performance lighting package with 6 LED working lights, 24 V	<input type="checkbox"/>	<input type="checkbox"/>
> High-performance lighting system including 8 LED working lights, 24 V	<input type="checkbox"/>	<input type="checkbox"/>
> Hydraulic high-pressure water cleaning system with 550 l plastic tank	<input type="checkbox"/>	<input type="checkbox"/>
> Additional plastic water tank, 550 l	<input type="checkbox"/>	<input type="checkbox"/>
> Additional electrical water pump, 24 V, with 10 m hose and spray gun with handle	<input type="checkbox"/>	<input type="checkbox"/>
> Self-leveling feature for transport mode	<input type="checkbox"/>	<input type="checkbox"/>
> Rotating beacon, halogen 24 V, with magnetic base	<input type="checkbox"/>	<input type="checkbox"/>
> Two flashing beacons, 24 V, with magnetic base	<input type="checkbox"/>	<input type="checkbox"/>
> Automatic crown adjustment	<input type="checkbox"/>	<input type="checkbox"/>
> Loading ramp for machines with 2 crawler units	<input type="checkbox"/>	<input type="checkbox"/>
> Camera system consisting of 1 camera and 1 screen, expandable to up to 6 cameras	<input type="checkbox"/>	<input type="checkbox"/>
> Additional camera as an extension to an existing camera system	<input type="checkbox"/>	<input type="checkbox"/>
> Two LED floodlights including power generator (230 V)	<input type="checkbox"/>	<input type="checkbox"/>
> Two LED floodlights including power generator (110 V)	<input type="checkbox"/>	<input type="checkbox"/>
> High-performance lighting system including 4 LED working lights, 24 V, for illuminating the compaction compartment	<input type="checkbox"/>	<input type="checkbox"/>
> Two LED floodlights 24 V	-	<input type="checkbox"/>
> 230 volt power generator, hydraulically driven, rated power of 4 kW	<input type="checkbox"/>	<input type="checkbox"/>
> 110 volt power generator, hydraulically driven, rated power of 4 kW	<input type="checkbox"/>	<input type="checkbox"/>
> Stringline tensioning system, complete with 1,000 m steel wire rope	<input type="checkbox"/>	<input type="checkbox"/>
> Additional tensioning winch for stringline tensioning system	<input type="checkbox"/>	<input type="checkbox"/>
> Stringline tensioning system, complete with 4 x 300 m nylon rope	<input type="checkbox"/>	<input type="checkbox"/>
> Radius kit, fibreglass rod as stringline replacement for paving in corners with different radii	<input type="checkbox"/>	<input type="checkbox"/>
> Machine commissioning (day rate)	<input type="checkbox"/>	<input type="checkbox"/>
> Export packaging	<input type="checkbox"/>	<input type="checkbox"/>

■ = Standard equipment

■ = Standard equipment, can be replaced with optional equipment if desired

□ = Optional equipment

TECHNICAL SPECIFICATIONS	SP 62	SP 62 i
<b>Applications</b>		
Road surfacing	Paving width: 3.50 – 7.50 m <sup>1)</sup> Paving height up to 450 mm <sup>1)</sup>	
<b>Concrete Spreading</b>		
Spreader auger	Single-piece, modular extension to max. 6.00 m / two-piece, modular extension to max. 7.50 m	
Spreader plow	Modular extension to max. 7.50 m	
<b>Paving Equipment</b>		
Type 910 m paving mold (without wear sole, without crown profile function)	Modular extension to max. 7.50 m	
Type 910 wm paving mold (with wear sole, with or without crown profile function)	Modular extension to max. 7.50 m	
Oscillating beam	Modular extension to max. 7.50 m	
Super smoother	Modular extension to max. 7.50 m	
Side tie-bar inserter	Right and / or left	
<b>Vibrators and Circuits</b>		
Hydraulic vibration	12 connectors (optionally 18 connectors)	
Electric vibration	18 connectors (optional 24 connectors)	
Hydraulically powered vibrators	Curved (D66)	
Electrically powered vibrators	Curved (D76)	
<b>Engine</b>		
Engine manufacturer	Deutz	Deutz
Type	TCD 2012 L06 2V	TCD 6.1 L6
Cooling	Water	Water
Number of cylinders	6	6
Nominal power rating at 2,300 rpm	155 kW / 208 HP / 211 PS	180 kW / 241 HP / 245 PS
Displacement	6,057 cm <sup>3</sup>	6,057 cm <sup>3</sup>
Fuel consumption under full load   <sup>2</sup> / <sub>3</sub> load	42 l/h   17 l/h	46 l/h   18 l/h
Engine sound power level according to EN 500-6   on operator's platform	≤ 102 dB(A)   ≥ 80 dB(A)	≤ 102 dB(A)   ≥ 80 dB(A)
Exhaust emission standard	EU Stage 3a / US EPA Tier 3	EU Stage 5 / US EPA Tier 4f
<b>Electrical system</b>		
Power supply	24 V DC	
Electric vibration	110 V AC 3~ / 200 Hz	

TECHNICAL SPECIFICATIONS	SP 62	SP 62 i
<b>Tank Capacities</b>		
Fuel tank	400 l	400 l
AdBlue® / DEF <sup>2)</sup>	–	32 l
Hydraulic oil, electrical vibration	200 l	200 l
Hydraulic oil, hydraulic vibration	400 l	400 l
Water	550 l + 550 l	
<b>Handling Characteristics</b>		
Advance speed during paving	0 – 6 m/min	
Travel speed in driving gear	0 – 18 m/min	
<b>Track Units</b>		
Number	2	
Type B1: Dimensions (L x W x H)	3,390 x 300 x 660 mm	
<b>Height Adjustment</b>		
Hydraulic	1,100 mm	
Mechanical	420 mm	
<b>Crown Profile</b>		
Variable adjustment range	Max. 3% at a paving width of 3.50 – 7.50 m <sup>3)</sup>	
<b>Transport Dimensions (L x W x H)</b>		
<b>Paving width 3.50 m:</b> Machine with type 910 m / type 910 wm paving mold, with spreading plow, oscillating beam, and super smoother (without super smoother carriage)	5,750 x 3,500 x 3,100 mm	
<b>Paving width 7.50 m:</b> Machine with type 910 m / type 910 wm paving mold, with spreading plow, oscillating beam, and super smoother (without super smoother carriage)	9,750 x 3,500 x 3,100 mm	
<b>Machine Weights</b>		
Operating weight, CE <sup>4)</sup>	17,000 – 36,000 kg	

<sup>1)</sup> Non-standard paving widths, paving heights, and other options are available on request

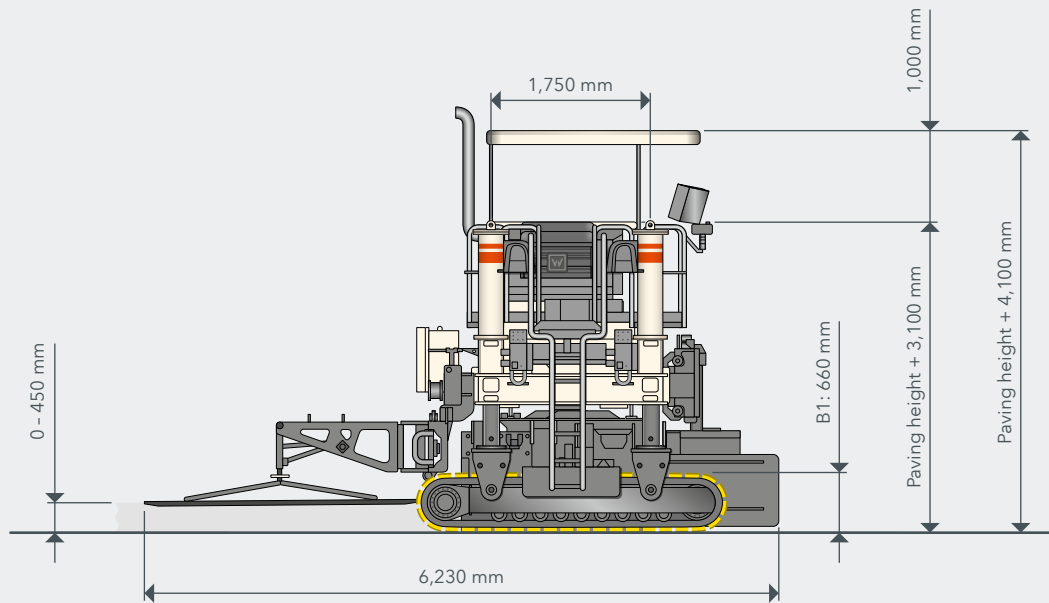
<sup>2)</sup> AdBlue® is a registered trademark of the German Association of the Automotive Industry (Verband der Automobilindustrie e. V.; VDA)

<sup>3)</sup> Values within the standard transport height; special dimensions on request

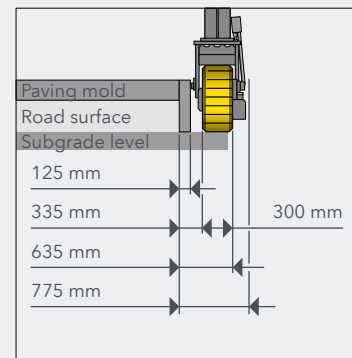
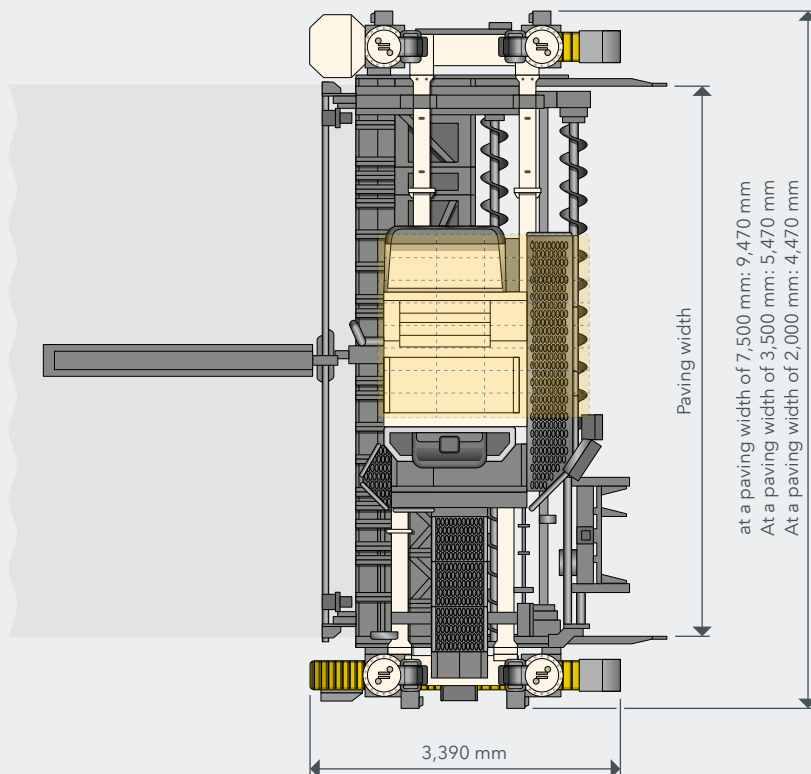
<sup>4)</sup> Machine weight, half weight of all consumables, machine operator (75 kg), tools, no optional equipment; weights depend on the actual equipment installed and the working width

SIDE VIEW / TOP VIEW SP 62(i)

Paving Configuration: SP 62(i) slipform paver, equipped with spreader auger or spreader plow, type 910 m / type 910 wm paving mold, oscillating beam and super smoother

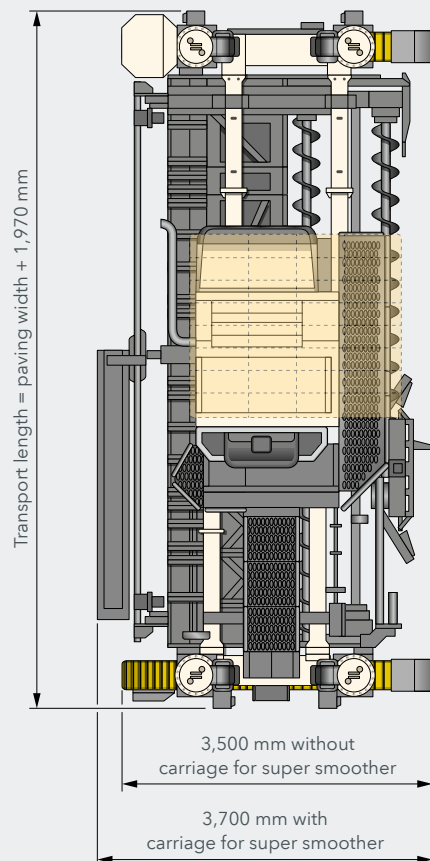
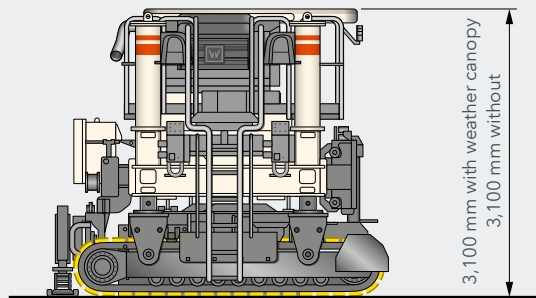


Working direction



## SIDE VIEW / TOP VIEW SP 62(i)

Transport Configuration: SP 62(i) slipform paver, equipped with spreader auger or spreader plow, type 910 m / type 910 wm paving mold, oscillating beam and super smoother



STANDARD EQUIPMENT	SP 62	SP 62i
<b>Basic Machine</b>		
> Basic machine consisting of engine station and machine frame telescoping mechanically to the left and right for accommodating slab paving molds between the track units, including pre-fitting for two track units	■	■
> Fuel tank 400 liters	■	■
> Electrical system (24 V)	■	■
> Cooling system with temperature-controlled fan speed	■	■
> Hydraulic system including an adequately sized hydraulic oil tank and a pump transfer gearbox with 2 output shafts and the pumps required for the machine's basic equipment package	■	■
<b>Main Frame and Height Adjustment</b>		
> Heavy-duty steel frame telescoping in increments by 810 mm each on both sides, can be optionally extended using fixed-width extension elements	■	■
> The machine frame is pre-fitted with multiple mounting points for the modular addition of a variety of equipment features	■	■
> Concrete equipment ranging from 2.00 m to 4.00 m in width can be connected to the machine frame; optional extension to working widths of up to 7.50 m	■	■
> Frame sections for mechanical telescoping in increments to working widths of up to 4.50 m	□	□
<b>Crawler Units and Chassis Linkage</b>		
> Paving speed with B1 track units: 0 to 6 m/min	■	■
> Transport speed with B1 track units: 0 to 18 m/min	■	■
> Model with two B1 track units (10 rollers), fitted with triple-grouser steel track pads, width 300 mm	□	□
<b>Machine Control, Leveling and Steering</b>		
> WI-CONTROL - high-quality control system ensuring perfect interaction between all machine features	■	■
> Error messages are displayed on the machine's control screen	■	■
> The existing CAN-bus system can be expanded to customer specifications	■	■
> ECO mode: performance-optimized engine management system for reduced diesel consumption and low noise emissions	■	■
> Proportional electrohydraulic leveling and steering by means of a PLC system including four leveling sensors and two steering sensors	■	■
> Sensor mounting brackets, adjustable in height and range	■	■
> An electronic slope sensor enables paving with a working width of 4.00 m with a stringline on only one side	■	■
> Four hydraulic leveling cylinders with a stroke of 1.10 m each	■	■
<b>Vibration</b>		
> Hydraulic vibrator drive for max. 12 vibrators	□	□
> 10 curved vibrators D66, hydraulically driven	□	□
<b>Concrete Equipment for Slab Paving</b>		
> Paving mold 910 m, basic width 3.50 m (min. 2.00 m), without crown, with trailing side header and trailing side header extension 260 mm, including crosslink	□	□
> One-piece side header for paving molds series 910	□	□



STANDARD EQUIPMENT	SP 62	SP 62i
<b>Operator's Platform</b>		
> Ergonomically designed operator's platform providing a perfect view of the paving process	■	■
> Three control panels with clear, language-independent labeling for ergonomic operation	■	■
> Control panel 1 for machine setup according to site requirements	■	■
> Control panel 2 with multifunctional control screen providing the operator with all relevant machine parameters and allowing settings to be made via a menu; the control panel can be adjusted to all directions of travel and paving configurations	■	■
> Control panel 3 for controlling the concrete equipment	■	■
> Two control panels can be stored in the engine compartment; the third control panel can be protected against vandalism and weather by means of a lockable cover	■	■
> Automatic recognition of each machine configuration provides easy orientation for the machine operator	■	■
<b>Miscellaneous</b>		
> Paving Plus package: pivot angle display, speed indicator and fully digital Ackermann steering	■	■
> Large tool kit in lockable tool box	■	■
> Comprehensive safety package with EMERGENCY STOP switches	■	■
> Pre-fitting for installing the WITOS FleetView control unit	■	■
> Filling of the machine's hydraulic system with mineral hydraulic oil	■	■
> Standard painting in RAL 9001 (cream)	□	□
> WITOS - professional telematics solution for machine operation and service optimization	□	□
> Lighting system including 4 halogen working lights, 24 V	□	□

■ = Standard equipment

□ = Standard equipment, can be replaced with optional equipment if desired

□ = Optional equipment

OPTIONAL EQUIPMENT	SP 62	SP 62i
<b>Main Frame and Height Adjustment</b>		
> Frame sections for mechanical telescoping for working widths up to 6.25 m	<input type="checkbox"/>	<input type="checkbox"/>
> Frame sections for continuous hydraulic telescoping to working widths of up to 7.50 m, including extension elements	<input type="checkbox"/>	<input type="checkbox"/>
<b>Concrete Spreading Equipment for Slab Paving</b>		
> Spreading auger without crown - basic width 3.50 m (reversible to 2.00 m)	<input type="checkbox"/>	<input type="checkbox"/>
> Split spreading auger with/without crown - basic width 3.50 m	<input type="checkbox"/>	<input type="checkbox"/>
> Spreading plow - basic width 3.50 m (reversible to 3.00 m)	<input type="checkbox"/>	<input type="checkbox"/>
> Spreading auger - extension element 0.25 m, right-hand pitch	<input type="checkbox"/>	<input type="checkbox"/>
> Spreading auger - extension element 0.40 m, right-hand pitch	<input type="checkbox"/>	<input type="checkbox"/>
> Spreading auger - extension element 0.50 m, right-hand pitch	<input type="checkbox"/>	<input type="checkbox"/>
> Spreading auger - extension element 0.60 m, right-hand pitch	<input type="checkbox"/>	<input type="checkbox"/>
> Spreading auger - extension element 0.75 m, right-hand pitch	<input type="checkbox"/>	<input type="checkbox"/>
> Spreading auger - extension element 1.00 m, right-hand pitch	<input type="checkbox"/>	<input type="checkbox"/>
> Spreading auger - extension element 0.25 m, left-hand pitch	<input type="checkbox"/>	<input type="checkbox"/>
> Spreading auger - extension element 0.40 m, left-hand pitch	<input type="checkbox"/>	<input type="checkbox"/>
> Spreading auger - extension element 0.50 m, left-hand pitch	<input type="checkbox"/>	<input type="checkbox"/>
> Spreading auger - extension element 0.60 m, left-hand pitch	<input type="checkbox"/>	<input type="checkbox"/>
> Spreading auger - extension element 0.75 m, left-hand pitch	<input type="checkbox"/>	<input type="checkbox"/>
> Spreading auger - extension element 1.00 m, left-hand pitch	<input type="checkbox"/>	<input type="checkbox"/>
> Spreading plow - extension element 0.25 m	<input type="checkbox"/>	<input type="checkbox"/>
> Spreading plow - extension element 0.46 m	<input type="checkbox"/>	<input type="checkbox"/>
> Spreading plow - extension element 0.50 m	<input type="checkbox"/>	<input type="checkbox"/>
> Spreading plow - extension element 0.61 m	<input type="checkbox"/>	<input type="checkbox"/>
> Spreading plow - extension element 0.75 m	<input type="checkbox"/>	<input type="checkbox"/>
> Spreading plow - extension element 1.00 m	<input type="checkbox"/>	<input type="checkbox"/>
<b>Crawler Units and Chassis Linkage</b>		
> Model with two B1 track units (10 rollers), fitted with polyurethane track pads, width 450 mm	<input type="checkbox"/>	<input type="checkbox"/>
> Model with two B1 crawler units (10 rollers), with triple grouser steel track pads, width 450 mm	<input type="checkbox"/>	<input type="checkbox"/>
> Model with two B1 track units (10 rollers), fitted with polyurethane track pads, width 450 mm	<input type="checkbox"/>	<input type="checkbox"/>
<b>Machine Control, Leveling and Steering</b>		
> Cross-slope sensor	<input type="checkbox"/>	<input type="checkbox"/>
> Additional control console for track unit adjustment	<input type="checkbox"/>	<input type="checkbox"/>
> Two slab tracers	<input type="checkbox"/>	<input type="checkbox"/>
> Four slab tracers	<input type="checkbox"/>	<input type="checkbox"/>
> Control unit for manual track unit steering	<input type="checkbox"/>	<input type="checkbox"/>
> Pre-fitting for 3D leveling	<input type="checkbox"/>	<input type="checkbox"/>
> Electrical fitting for external 3D leveling	<input type="checkbox"/>	<input type="checkbox"/>
> Additional slope sensors for 3D leveling	<input type="checkbox"/>	<input type="checkbox"/>

OPTIONAL EQUIPMENT	SP 62	SP 62i
<b>Vibration</b>		
> Hydraulic vibrator drive for max. 18 vibrators	<input type="checkbox"/>	<input type="checkbox"/>
> Electric vibrator drive with 40-kVA generator for max. 18 vibrators	<input type="checkbox"/>	<input type="checkbox"/>
> Electric vibrator drive with 40-kVA generator for max. 24 vibrators	<input type="checkbox"/>	<input type="checkbox"/>
> 10 curved vibrators D76, electrically driven	<input type="checkbox"/>	<input type="checkbox"/>
> Straight vibrator D66, hydraulically driven	<input type="checkbox"/>	<input type="checkbox"/>
> Straight vibrator D66, electrically driven	<input type="checkbox"/>	<input type="checkbox"/>
> Curved vibrator D66, hydraulically driven	<input type="checkbox"/>	<input type="checkbox"/>
> Curved vibrator D76, electrically driven	<input type="checkbox"/>	<input type="checkbox"/>
<b>Concrete Equipment for Slab Paving</b>		
> Metering gate for paving mold without crown - basic width 3.50 m (reversible to 2.00 m)	<input type="checkbox"/>	<input type="checkbox"/>
> Split metering gate for paving mold with / without crown - basic width 3.50 m	<input type="checkbox"/>	<input type="checkbox"/>
> Automatic metering gate control for concrete paving mold	<input type="checkbox"/>	<input type="checkbox"/>
> Metering gate - extension element 0.25 m	<input type="checkbox"/>	<input type="checkbox"/>
> Metering gate - extension element 0.40 m	<input type="checkbox"/>	<input type="checkbox"/>
> Metering gate - extension element 0.50 m	<input type="checkbox"/>	<input type="checkbox"/>
> Metering gate - extension element 0.60 m	<input type="checkbox"/>	<input type="checkbox"/>
> Metering gate - extension element 0.75 m	<input type="checkbox"/>	<input type="checkbox"/>
> Metering gate - extension element 1.00 m	<input type="checkbox"/>	<input type="checkbox"/>
> Paving mold 910 mm, basic width 3.50 m (min. 2.00 m), without crown, with trailing side header and trailing side header extension 260 mm, including crosslink	<input type="checkbox"/>	<input type="checkbox"/>
> Paving mold 910 mm, basic width 3.50 m (min. 2.00 m), with / without crown, with trailing side header and trailing side header extension 260 mm, including crosslink	<input type="checkbox"/>	<input type="checkbox"/>
> Paving mold series 910 m - extension element 0.25 m	<input type="checkbox"/>	<input type="checkbox"/>
> Paving mold series 910 m - extension element 0.40 m	<input type="checkbox"/>	<input type="checkbox"/>
> Paving mold series 910 m - extension element 0.50 m	<input type="checkbox"/>	<input type="checkbox"/>
> Paving mold series 910 m - extension element 0.60 m	<input type="checkbox"/>	<input type="checkbox"/>
> Paving mold series 910 m - extension element 0.75 m	<input type="checkbox"/>	<input type="checkbox"/>
> Paving mold series 910 m - extension element 1.00 m	<input type="checkbox"/>	<input type="checkbox"/>
> Paving mold series 910 mm - extension element 0.25 m	<input type="checkbox"/>	<input type="checkbox"/>
> Paving mold series 910 mm - extension element 0.40 m	<input type="checkbox"/>	<input type="checkbox"/>
> Paving mold series 910 mm - extension element 0.50 m	<input type="checkbox"/>	<input type="checkbox"/>
> Paving mold series 910 mm - extension element 0.60 m	<input type="checkbox"/>	<input type="checkbox"/>
> Paving mold series 910 mm - extension element 0.75 m	<input type="checkbox"/>	<input type="checkbox"/>
> Paving mold series 910 mm - extension element 1.00 m	<input type="checkbox"/>	<input type="checkbox"/>
> Two-piece sideplate for paving mold series 910 for the production of construction joints; valve position on side support	<input type="checkbox"/>	<input type="checkbox"/>

■ = Standard equipment

▒ = Standard equipment, can be replaced with optional equipment if desired

□ = Optional equipment

OPTIONAL EQUIPMENT	SP 62	SP 62i
<b>Concrete Equipment for Slab Paving</b>		
> Oscillating beam without crown - basic width 3.50 m (reversible to 2.00 m)	<input type="checkbox"/>	<input type="checkbox"/>
> Oscillating beam with / without crown - basic width 3.50 m	<input type="checkbox"/>	<input type="checkbox"/>
> Oscillating beam - extension element 0.25 m	<input type="checkbox"/>	<input type="checkbox"/>
> Oscillating beam - extension element 0.40 m	<input type="checkbox"/>	<input type="checkbox"/>
> Oscillating beam - extension element 0.50 m	<input type="checkbox"/>	<input type="checkbox"/>
> Oscillating beam - extension element 0.60 m	<input type="checkbox"/>	<input type="checkbox"/>
> Oscillating beam - extension element 0.75 m	<input type="checkbox"/>	<input type="checkbox"/>
> Oscillating beam - extension element 1.00 m	<input type="checkbox"/>	<input type="checkbox"/>
> Super smoother - basic width 3.50 m (reversible to 2.00 m)	<input type="checkbox"/>	<input type="checkbox"/>
> Super smoother - extension element 0.25 m	<input type="checkbox"/>	<input type="checkbox"/>
> Super smoother - extension element 0.40 m	<input type="checkbox"/>	<input type="checkbox"/>
> Super smoother - extension element 0.50 m	<input type="checkbox"/>	<input type="checkbox"/>
> Super smoother - extension element 0.61 m	<input type="checkbox"/>	<input type="checkbox"/>
> Super smoother - extension element 0.75 m	<input type="checkbox"/>	<input type="checkbox"/>
> Super smoother - extension element 1.00 m	<input type="checkbox"/>	<input type="checkbox"/>
> Super smoother - extension element 2.00 m	<input type="checkbox"/>	<input type="checkbox"/>
> One side tie bar inserter for straight tie bars, max. $\varnothing$ 20 mm, length 800 mm	<input type="checkbox"/>	<input type="checkbox"/>
> Two side tie bar inserters for straight tie bars, max. $\varnothing$ 20 mm, length 800 mm	<input type="checkbox"/>	<input type="checkbox"/>
> Additional trailing side plates extension as per customer specification. Price upon request!	<input type="checkbox"/>	<input type="checkbox"/>
<b>Operator's Platform</b>		
> Weather canopy for operator's platform with manual fold-down feature	<input type="checkbox"/>	<input type="checkbox"/>
> Extension of walkway allowing the operator to pass from one side of the machine to the other for working widths of up to 6.00 m	<input type="checkbox"/>	<input type="checkbox"/>
> Extension of walkway allowing the operator to pass from one side of the machine to the other for working widths of up to 7.50 m	<input type="checkbox"/>	<input type="checkbox"/>

OPTIONAL EQUIPMENT	SP 62	SP 62i
<b>Miscellaneous</b>		
> Painting in one special color (RAL)	<input type="checkbox"/>	<input type="checkbox"/>
> Painting in two special colors (RAL)	<input type="checkbox"/>	<input type="checkbox"/>
> Model without WITOS	<input type="checkbox"/>	<input type="checkbox"/>
> High-performance lighting system including 8 LED working lights, 24 V	<input type="checkbox"/>	<input type="checkbox"/>
> Hydraulic high-pressure water cleaning system with 550-l plastic tank (for model with two track units)	<input type="checkbox"/>	<input type="checkbox"/>
> Additional plastic water tank, 550 l	<input type="checkbox"/>	<input type="checkbox"/>
> Additional electrical water pump, 24 V, with 10 m hose and spray gun with handle	<input type="checkbox"/>	<input type="checkbox"/>
> Self-leveling feature for transport mode	<input type="checkbox"/>	<input type="checkbox"/>
> Rotating beacon, halogen 24 V, with magnetic base	<input type="checkbox"/>	<input type="checkbox"/>
> Two flashing beacons, 24 V, with magnetic base	<input type="checkbox"/>	<input type="checkbox"/>
> Automatic crown adjustment	<input type="checkbox"/>	<input type="checkbox"/>
> Loading ramp for machines with 2 crawler units	<input type="checkbox"/>	<input type="checkbox"/>
> Additional components needed for fitting hydraulic vibrators	<input type="checkbox"/>	<input type="checkbox"/>
> Camera system consisting of 1 camera and 1 screen, expandable to up to 6 cameras.	<input type="checkbox"/>	<input type="checkbox"/>
> Additional camera as an extension to an existing camera system.	<input type="checkbox"/>	<input type="checkbox"/>
> Two LED floodlights including power generator (230 V)	<input type="checkbox"/>	<input type="checkbox"/>
> Two LED floodlights including power generator (110 V)	<input type="checkbox"/>	<input type="checkbox"/>
> High-performance lighting system including 4 LED working lights, 24 V, for illuminating the compaction compartment	<input type="checkbox"/>	<input type="checkbox"/>
> Two LED floodlights 24 V	-	<input type="checkbox"/>
> 230 volt power generator, hydraulically driven, rated power of 4 kW	<input type="checkbox"/>	<input type="checkbox"/>
> 110 volt power generator, hydraulically driven, rated power of 4 kW	<input type="checkbox"/>	<input type="checkbox"/>
> Stringline tensioning system, complete with 1,000 m steel wire rope	<input type="checkbox"/>	<input type="checkbox"/>
> Additional tensioning winch for stringline tensioning system	<input type="checkbox"/>	<input type="checkbox"/>
> Stringline tensioning system, complete with 4 x 300 m nylon rope	<input type="checkbox"/>	<input type="checkbox"/>
> Radius kit, fibreglass rod as stringline replacement for paving in corners with different radii	<input type="checkbox"/>	<input type="checkbox"/>
> Machine commissioning (day rate)	<input type="checkbox"/>	<input type="checkbox"/>
> Export packaging	<input type="checkbox"/>	<input type="checkbox"/>

■ = Standard equipment

▣ = Standard equipment, can be replaced with optional equipment if desired

□ = Optional equipment

TECHNICAL SPECIFICATIONS	SP 64	SP 64 i
<b>Applications</b>		
Road surfacing	Paving width: 2.00 – 7.50 m <sup>1)</sup> Paving height up to 450 mm <sup>2)</sup>	
<b>Concrete Spreading</b>		
Spreader auger	Single-piece auger, modular extension to max. 6.00 m / two-piece auger, modular extension to max. 7.50 m	
Spreader plow	Modular extension to max. 7.50 m	
<b>Paving Equipment</b>		
Type 910 m paving mold (without wear sole, without crown profile function)	Modular extension to max. 7.50 m	
Type 910 wm paving mold (with wear sole, with or without crown profile function)	Modular extension to max. 7.50 m	
Dowel bar inserter (DBI)	Modular extension to max. 7.50 m	
Oscillating beam	Modular extension to max. 7.50 m	
Super smoother	Modular extension to max. 7.50 m	
Longitudinal Tie Bar Inserter	1	
Side tie-bar inserter (hydraulic)	Right and / or left	
<b>Vibrators and Circuits</b>		
Hydraulic vibration	12 connectors (optionally 18 connectors)	
Electric vibration	18 connectors (optional: 24 connectors)	
Hydraulically powered vibrators	Curved (D66)	
Electrically powered vibrators	Curved (D76)	
<b>Engine</b>		
Engine manufacturer	Deutz	Deutz
Type	TCD 2012 L06 2V	TCD 6.1 L6
Cooling	Water	Water
Number of cylinders	6	6
Nominal power rating at 2,300 rpm	155 kW / 208 HP / 211 PS	180 kW / 241 HP / 245 PS
Displacement	6,057 cm <sup>3</sup>	6,057 cm <sup>3</sup>
Fuel consumption under full load   <sup>2</sup> / <sub>3</sub> load	42 l/h   17 l/h	46 l/h   18 l/h
Engine sound power level according to EN 500-6   on operator's platform	≤ 102 dB(A)   ≥ 80 dB(A)	≤ 102 dB(A)   ≥ 80 dB(A)
Exhaust emission standard	EU Stage 3a / US EPA Tier 3	EU Stage 5 / US EPA Tier 4f
<b>Electrical System</b>		
Power supply	24 V DC	
Electric vibration	110 V AC 3~ / 200 Hz	

TECHNICAL SPECIFICATIONS	SP 64	SP 64 i
<b>Tank Capacities</b>		
Fuel tank	400 l	400 l
AdBlue® / DEF <sup>3)</sup>	-	32 l
Hydraulic oil, electrical vibration	200 l	200 l
Hydraulic oil, hydraulic vibration	400 l	400 l
Water	550 l + 550 l	
<b>Handling Characteristics</b>		
Advance speed during paving	B0: 0 - 6 m/min, B1: 0 - 7 m/min	
Travel speed in driving gear	B0: 0 - 21 m/min, B1: 0 - 23.50 m/min	
<b>Track Units</b>		
Number	4	
Type B0: Dimensions (L x W x H)	1,590 x 300 x 570 mm	
Type B1: Dimensions (L x W x H)	2,040 x 305 x 580 mm	
<b>Height Adjustment</b>		
Hydraulic	1,100 mm	
Mechanical	420 mm	
<b>Crown Profile</b>		
Variable settings	Max. 3% at a paving width of 3.50 - 7.50 m	
<b>Transport Dimensions (L x W x H)</b>		
<b>Paving width 3.50 m:</b> Machine with type 910 m / type 910 wm paving mold, including spreading plow, oscillating beam and super smoother (without super smoother carriage)	9,000 x 3,000 x 3,100 mm	
<b>Paving width 6.00 m:</b> Machine with type 910 m / type 910 wm paving mold, including spreading plow, oscillating beam and super smoother (without super smoother carriage)	11,500 x 3,000 x 3,100 mm	
<b>Machine Weights</b>		
Operating weight, CE <sup>5)</sup>	21,000 - 54,000 kg	

<sup>1)</sup> Please note that not all machine configurations are available for all working widths; working widths with DBI are possible only up to a max. of 6.00 m; working widths with crown profiles are only possible at widths of 3.50 m or more

<sup>2)</sup> Non-standard paving widths, paving heights, and other options are available on request

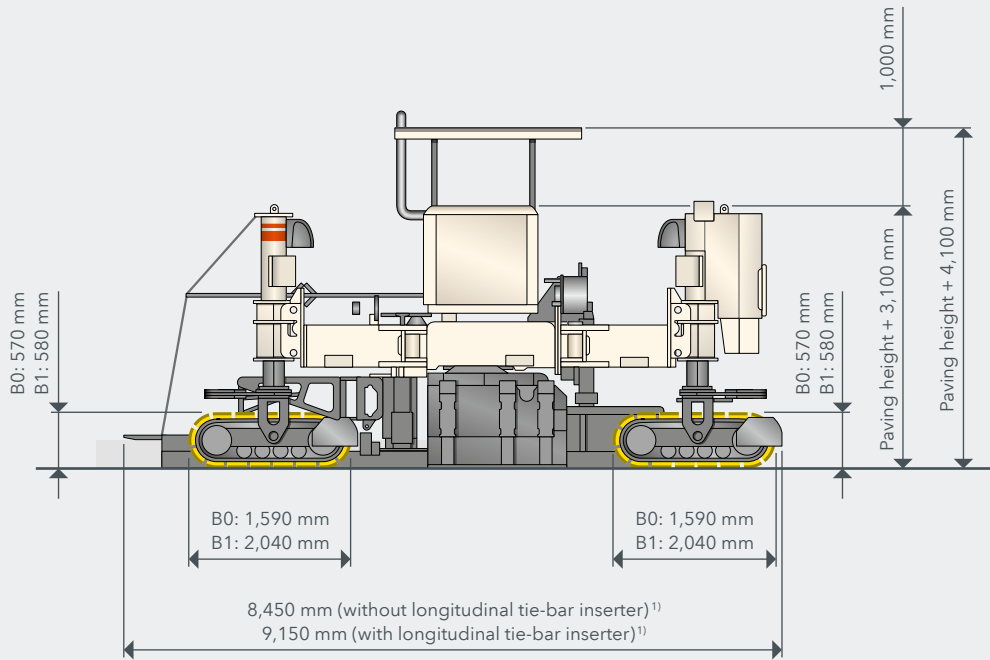
<sup>3)</sup> AdBlue® is a registered trademark of the German Association of the Automotive Industry (Verband der Automobilindustrie e. V.; VDA)

<sup>4)</sup> Values within standard transport height; non-standard dimensions on request

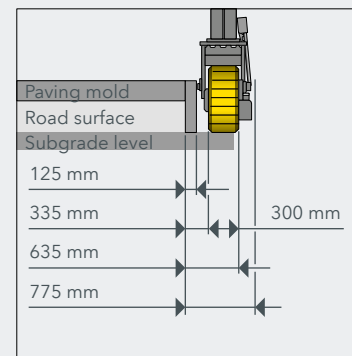
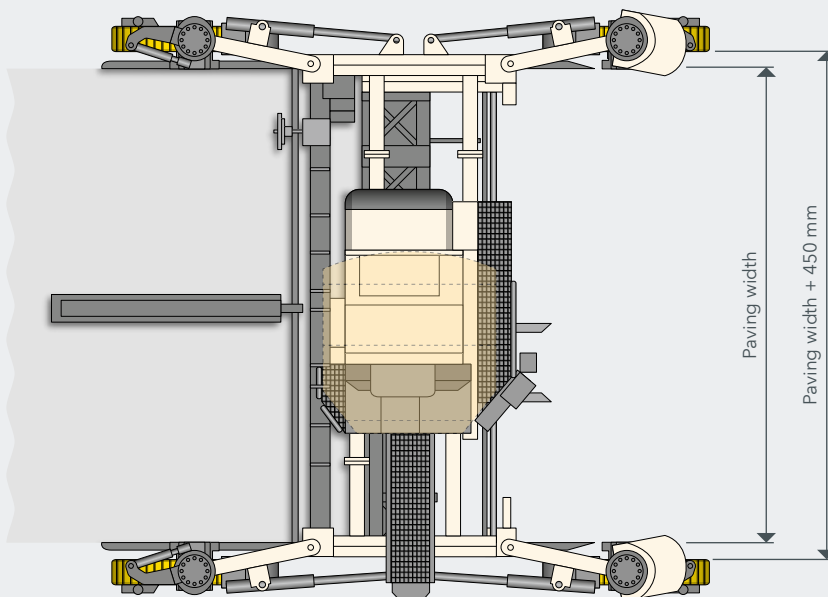
<sup>5)</sup> Machine weight, half weight of all consumables, machine operator (75 kg), tools, no optional equipment; weights depend on the actual equipment installed and the working width

SIDE VIEW / TOP VIEW SP 64(i)

Paving Configuration: SP 64(i) slipform paver, equipped with spreader auger or spreader plow, type 910 m / type 910 wm paving mold, oscillating beam and super smoother



Working direction

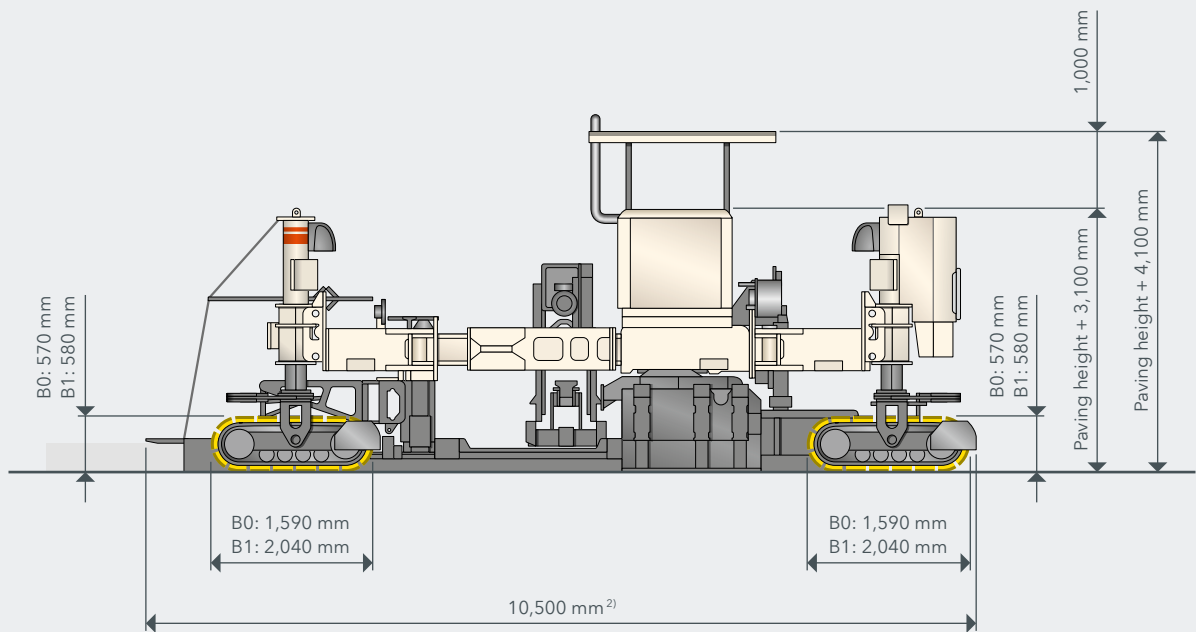


<sup>1)</sup> Longitudinal tie-bar inserter (slewing) and side tie-bar inserter not shown

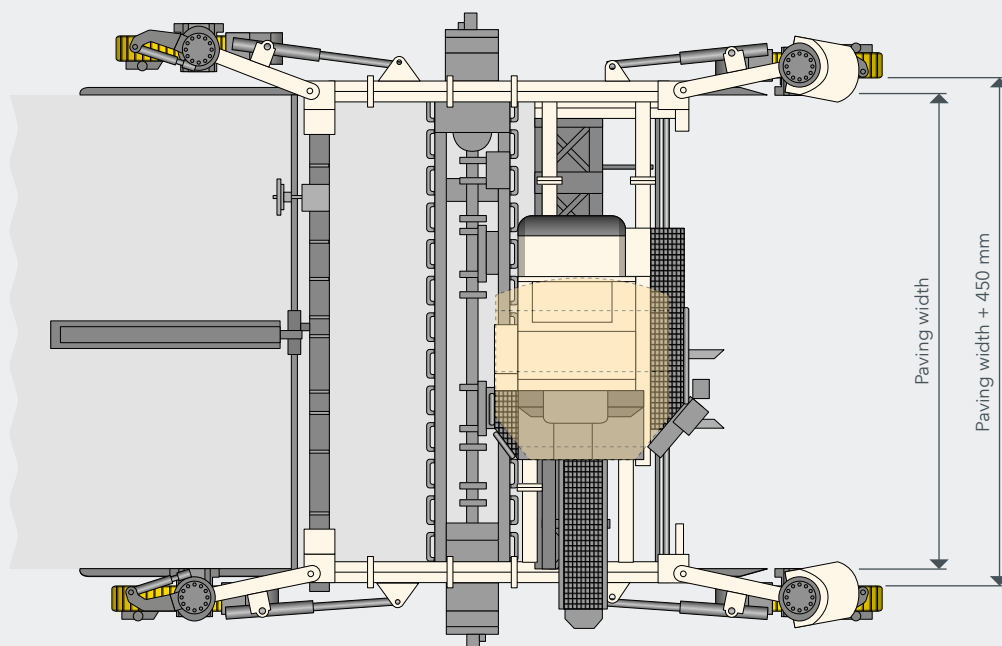


## SIDE VIEW / TOP VIEW SP 64(i)

Paving Configuration: SP 64(i) slipform paver, equipped with spreading auger or spreading plow, type 910 m/type 910 wm paving mold, dowel bar inserter (DBI), oscillating beam and super smoother



Working direction



<sup>2)</sup> Applies to standard longitudinal tie bar inserter (non-slewing)

STANDARD EQUIPMENT	SP 64	SP 64i
<b>Basic Machine</b>		
> Basic machine consisting of engine station and machine frame telescoping mechanically to the left and right for accommodating slab paving molds between the track units, including pre-fitting for four track units	■	■
> Fuel tank 400 liters	■	■
> Electrical system (24 V)	■	■
> Cooling system with temperature-controlled fan speed	■	■
> Hydraulic system including an adequately sized hydraulic oil tank and a pump transfer gearbox with 2 output shafts and the pumps required for the machine's basic equipment package	■	■
<b>Main Frame and Height Adjustment</b>		
> Heavy-duty steel frame, telescopes in stages by total of 1,500 mm on both sides, can be extended by using optional extension pieces	■	■
> The machine frame is pre-fitted with multiple mounting points for the modular addition of a variety of equipment features	■	■
> Concrete equipment ranging from 2.00 m to 4.00 m in width can be connected to the machine frame; optional extension to working widths of up to 7.50 m (depending on configuration, up to 6.00 m with DBI)	■	■
> Frame sections for mechanical telescoping in increments to working widths of up to 4.00 m	□	□
<b>Crawler Units and Chassis Linkage</b>		
> Paving speed with B0 track units: 0 to 6 m/min	■	■
> Transport speed with B0 track units: 0 to 21 m/min	■	■
> Model with four B1 track units (4 rollers), fitted with triple-grouser steel track pads	□	□
> Model with two manually pivoting track unit connections each, front and rear	□	□
<b>Machine Control, Leveling and Steering</b>		
> WI-CONTROL - high-quality control system ensuring perfect interaction between all machine features	■	■
> Error messages are displayed on the machine's control screen	■	■
> The existing CAN-bus system can be expanded to customer specifications	■	■
> ECO mode: performance-optimized engine management system for reduced diesel consumption and low noise emissions	■	■
> Proportional electrohydraulic leveling and steering by means of a PLC system including four leveling sensors and two steering sensors	■	■
> Sensor mounting brackets, adjustable in height and range	■	■
> Four hydraulic leveling cylinders with a stroke of 1.10 m each	■	■
> Cylinder steering for design with 4 crawler units	□	□
<b>Vibration</b>		
> Hydraulic vibrator drive for max. 12 vibrators	□	□
> 10 curved vibrators D66, hydraulically driven	□	□
<b>Concrete Equipment for Slab Paving</b>		
> Paving mold 910 m, basic width 3.50 m (min. 2.00 m), without crown, with trailing side header and trailing side header extension 260 mm, including crosslink	□	□
> One-piece side header for paving molds series 910	□	□

STANDARD EQUIPMENT	SP 64	SP 64i
<b>Operator's Platform</b>		
> Ergonomically designed operator's platform providing a perfect view of the paving process	■	■
> Three control panels with clear, language-independent labeling for ergonomic operation	■	■
> Control panel 1 for machine setup according to site requirements	■	■
> Control panel 2 with multifunctional control screen providing the operator with all relevant machine parameters and allowing settings to be made via a menu; the control panel can be adjusted to all directions of travel and paving configurations	■	■
> Control panel 3 for controlling the concrete equipment	■	■
> Two control panels can be stored in the engine compartment; the third control panel can be protected against vandalism and weather by means of a lockable cover	■	■
> Automatic recognition of each machine configuration provides easy orientation for the machine operator	■	■
<b>Miscellaneous</b>		
> Paving Plus package: pivot angle display, speed indicator and fully digital Ackermann steering	■	■
> Large tool kit in lockable tool box	■	■
> Comprehensive safety package with EMERGENCY STOP switches	■	■
> Pre-fitting for installing the WITOS FleetView control unit	■	■
> Filling of the machine's hydraulic system with mineral hydraulic oil	■	■
> Standard painting in RAL 9001 (cream)	□	□
> WITOS - professional telematics solution for machine operation and service optimization	□	□
> Lighting system including 4 halogen working lights, 24 V	□	□

■ = Standard equipment

□ = Standard equipment, can be replaced with optional equipment if desired

□ = Optional equipment

OPTIONAL EQUIPMENT	SP 64	SP 64i
<b>Main Frame and Height Adjustment</b>		
> Frame sections for continuous hydraulic telescoping to working widths of up to 6.00 m	<input type="checkbox"/>	<input type="checkbox"/>
> Frame sections for continuous hydraulic telescoping to working widths of up to 7.50 m, including extension elements	<input type="checkbox"/>	<input type="checkbox"/>
<b>Concrete Spreading Equipment for Slab Paving</b>		
> Spreading auger without crown - basic width 3.50 m (reversible to 2.00 m)	<input type="checkbox"/>	<input type="checkbox"/>
> Split spreading auger with/without crown - basic width 3.50 m	<input type="checkbox"/>	<input type="checkbox"/>
> Spreading plow - basic width 3.50 m (reversible to 3.00 m)	<input type="checkbox"/>	<input type="checkbox"/>
> Spreading auger - extension element 0.25 m, right-hand pitch	<input type="checkbox"/>	<input type="checkbox"/>
> Spreading auger - extension element 0.40 m, right-hand pitch	<input type="checkbox"/>	<input type="checkbox"/>
> Spreading auger - extension element 0.50 m, right-hand pitch	<input type="checkbox"/>	<input type="checkbox"/>
> Spreading auger - extension element 0.60 m, right-hand pitch	<input type="checkbox"/>	<input type="checkbox"/>
> Spreading auger - extension element 0.75 m, right-hand pitch	<input type="checkbox"/>	<input type="checkbox"/>
> Spreading auger - extension element 1.00 m, right-hand pitch	<input type="checkbox"/>	<input type="checkbox"/>
> Spreading auger - extension element 0.25 m, left-hand pitch	<input type="checkbox"/>	<input type="checkbox"/>
> Spreading auger - extension element 0.40 m, left-hand pitch	<input type="checkbox"/>	<input type="checkbox"/>
> Spreading auger - extension element 0.50 m, left-hand pitch	<input type="checkbox"/>	<input type="checkbox"/>
> Spreading auger - extension element 0.60 m, left-hand pitch	<input type="checkbox"/>	<input type="checkbox"/>
> Spreading auger - extension element 0.75 m, left-hand pitch	<input type="checkbox"/>	<input type="checkbox"/>
> Spreading auger - extension element 1.00 m, left-hand pitch	<input type="checkbox"/>	<input type="checkbox"/>
> Spreading plow - extension element 0.25 m	<input type="checkbox"/>	<input type="checkbox"/>
> Spreading plow - extension element 0.46 m	<input type="checkbox"/>	<input type="checkbox"/>
> Spreading plow - extension element 0.50 m	<input type="checkbox"/>	<input type="checkbox"/>
> Spreading plow - extension element 0.61 m	<input type="checkbox"/>	<input type="checkbox"/>
> Spreading plow - extension element 0.75 m	<input type="checkbox"/>	<input type="checkbox"/>
> Spreading plow - extension element 1.00 m	<input type="checkbox"/>	<input type="checkbox"/>
<b>Crawler Units and Chassis Linkage</b>		
> Model with four B1 track units (4 rollers), fitted with polyurethane track pads	<input type="checkbox"/>	<input type="checkbox"/>
> Model with four B1 track units (6 rollers), with triple grouser steel track pads	<input type="checkbox"/>	<input type="checkbox"/>
> Model with four B1 track units (6 rollers), fitted with polyurethane track pads	<input type="checkbox"/>	<input type="checkbox"/>
> Model with two hydraulically pivoting track unit connections each, front and rear	<input type="checkbox"/>	<input type="checkbox"/>
<b>Machine Control, Leveling and Steering</b>		
> Worm gear steering for machines with 4 crawler units	<input type="checkbox"/>	<input type="checkbox"/>
> Cross-slope sensor	<input type="checkbox"/>	<input type="checkbox"/>
> Additional control console for track unit adjustment	<input type="checkbox"/>	<input type="checkbox"/>
> Two slab tracers	<input type="checkbox"/>	<input type="checkbox"/>
> Four slab tracers	<input type="checkbox"/>	<input type="checkbox"/>
> Control unit for manual track unit steering	<input type="checkbox"/>	<input type="checkbox"/>
> Pre-fitting for 3D leveling	<input type="checkbox"/>	<input type="checkbox"/>
> Electrical fitting for external 3D leveling	<input type="checkbox"/>	<input type="checkbox"/>
> Additional slope sensors for 3D leveling	<input type="checkbox"/>	<input type="checkbox"/>
<b>Vibration</b>		
> Hydraulic vibrator drive for max. 18 vibrators	<input type="checkbox"/>	<input type="checkbox"/>
> Electric vibrator drive with 40-kVA generator for max. 18 vibrators	<input type="checkbox"/>	<input type="checkbox"/>
> Electric vibrator drive with 40-kVA generator for max. 24 vibrators	<input type="checkbox"/>	<input type="checkbox"/>
> 10 curved vibrators D76, electrically driven	<input type="checkbox"/>	<input type="checkbox"/>

OPTIONAL EQUIPMENT	SP 64	SP 64i
<b>Vibration</b>		
> Straight vibrator D66, hydraulically driven	<input type="checkbox"/>	<input type="checkbox"/>
> Straight vibrator D66, electrically driven	<input type="checkbox"/>	<input type="checkbox"/>
> Curved vibrator D66, hydraulically driven	<input type="checkbox"/>	<input type="checkbox"/>
> Curved vibrator D76, electrically driven	<input type="checkbox"/>	<input type="checkbox"/>
<b>Concrete Equipment for Slab Paving</b>		
> Metering gate for paving mold without crown - basic width 3.50 m (reversible to 2.00 m)	<input type="checkbox"/>	<input type="checkbox"/>
> Split metering gate for paving mold with / without crown - basic width 3.50 m	<input type="checkbox"/>	<input type="checkbox"/>
> Automatic metering gate control for concrete paving mold	<input type="checkbox"/>	<input type="checkbox"/>
> Metering gate - extension element 0.25 m	<input type="checkbox"/>	<input type="checkbox"/>
> Metering gate - extension element 0.40 m	<input type="checkbox"/>	<input type="checkbox"/>
> Metering gate - extension element 0.50 m	<input type="checkbox"/>	<input type="checkbox"/>
> Metering gate - extension element 0.60 m	<input type="checkbox"/>	<input type="checkbox"/>
> Metering gate - extension element 0.75 m	<input type="checkbox"/>	<input type="checkbox"/>
> Metering gate - extension element 1.00 m	<input type="checkbox"/>	<input type="checkbox"/>
> Paving mold 910 wm, basic width 3.50 m (min. 2.00 m), without crown, with trailing side header and trailing side header extension 260 mm, including crosslink	<input type="checkbox"/>	<input type="checkbox"/>
> Paving mold 910 wm, basic width 3.50 m (min. 2.00 m), with / without crown, with trailing side header and trailing side header extension 260 mm, including crosslink	<input type="checkbox"/>	<input type="checkbox"/>
> Two-piece sideplate for paving mold series 910 for the production of construction joints; valve position on paving mold	<input type="checkbox"/>	<input type="checkbox"/>
> Paving mold series 910 m - extension element 0.25 m	<input type="checkbox"/>	<input type="checkbox"/>
> Paving mold series 910 m - extension element 0.40 m	<input type="checkbox"/>	<input type="checkbox"/>
> Paving mold series 910 m - extension element 0.50 m	<input type="checkbox"/>	<input type="checkbox"/>
> Paving mold series 910 m - extension element 0.60 m	<input type="checkbox"/>	<input type="checkbox"/>
> Paving mold series 910 m - extension element 0.75 m	<input type="checkbox"/>	<input type="checkbox"/>
> Paving mold series 910 m - extension element 1.00 m	<input type="checkbox"/>	<input type="checkbox"/>
> Paving mold series 910 wm - extension element 0.25 m	<input type="checkbox"/>	<input type="checkbox"/>
> Paving mold series 910 wm - extension element 0.40 m	<input type="checkbox"/>	<input type="checkbox"/>
> Paving mold series 910 wm - extension element 0.50 m	<input type="checkbox"/>	<input type="checkbox"/>
> Paving mold series 910 wm - extension element 0.60 m	<input type="checkbox"/>	<input type="checkbox"/>
> Paving mold series 910 wm - extension element 0.75 m	<input type="checkbox"/>	<input type="checkbox"/>
> Paving mold series 910 wm - extension element 1.00 m	<input type="checkbox"/>	<input type="checkbox"/>
> Automatic dowel bar inserter (DBI) for use without crown - basic width 3.50 m (reversible to 2.00 m)	<input type="checkbox"/>	<input type="checkbox"/>
> Automatic dowel bar inserter (DBI) for use with crown - basic width 3.50 m	<input type="checkbox"/>	<input type="checkbox"/>
> Base group for dowel bar inserter (DBI) for paving widths of up to 3.50 m	<input type="checkbox"/>	<input type="checkbox"/>
> Base group for dowel bar inserter (DBI) for paving widths of up to 4.00 m	<input type="checkbox"/>	<input type="checkbox"/>
> Base group for dowel bar inserter (DBI) for paving widths of up to 5.00 m	<input type="checkbox"/>	<input type="checkbox"/>
> Base group for dowel bar inserter (DBI) for paving widths of up to 6.00 m	<input type="checkbox"/>	<input type="checkbox"/>
> Frame extension + electrical control system for dowel bar inserter (DBI) and longitudinal joint tie bar inserter	<input type="checkbox"/>	<input type="checkbox"/>

■ = Standard equipment

▒ = Standard equipment, can be replaced with optional equipment if desired

□ = Optional equipment

OPTIONAL EQUIPMENT	SP 64	SP 64i
<b>Concrete Equipment for Slab Paving</b>		
> Dowel bar inserter (DBI) - extension element 0.25 m	<input type="checkbox"/>	<input type="checkbox"/>
> Dowel bar inserter (DBI) - extension element 0.40 m	<input type="checkbox"/>	<input type="checkbox"/>
> Dowel bar inserter (DBI) - extension element 0.50 m	<input type="checkbox"/>	<input type="checkbox"/>
> Dowel bar inserter (DBI) - extension element 0.60 m	<input type="checkbox"/>	<input type="checkbox"/>
> Dowel bar inserter (DBI) - extension element 0.75 m	<input type="checkbox"/>	<input type="checkbox"/>
> Dowel bar inserter (DBI) - extension element 1.00 m	<input type="checkbox"/>	<input type="checkbox"/>
> Load brackets as modification aid for altering the width of the dowel bar inserter (DBI)	<input type="checkbox"/>	<input type="checkbox"/>
> DBI self-loading device including a diesel-powered hydraulic unit	<input type="checkbox"/>	<input type="checkbox"/>
> Oscillating beam without crown - basic width 3.50 m (reversible to 2.00 m)	<input type="checkbox"/>	<input type="checkbox"/>
> Oscillating beam with / without crown - basic width 3.50 m	<input type="checkbox"/>	<input type="checkbox"/>
> Oscillating beam - extension element 0.25 m	<input type="checkbox"/>	<input type="checkbox"/>
> Oscillating beam - extension element 0.40 m	<input type="checkbox"/>	<input type="checkbox"/>
> Oscillating beam - extension element 0.50 m	<input type="checkbox"/>	<input type="checkbox"/>
> Oscillating beam - extension element 0.60 m	<input type="checkbox"/>	<input type="checkbox"/>
> Oscillating beam - extension element 0.75 m	<input type="checkbox"/>	<input type="checkbox"/>
> Oscillating beam - extension element 1.00 m	<input type="checkbox"/>	<input type="checkbox"/>
> Super smoother - basic width 3.50 m (reversible to 3.00 m)	<input type="checkbox"/>	<input type="checkbox"/>
> Transport frame for oscillating beam and super smoother as transport unit	<input type="checkbox"/>	<input type="checkbox"/>
> Super smoother - extension element 0.25 m	<input type="checkbox"/>	<input type="checkbox"/>
> Super smoother - extension element 0.40 m	<input type="checkbox"/>	<input type="checkbox"/>
> Super smoother - extension element 0.50 m	<input type="checkbox"/>	<input type="checkbox"/>
> Super smoother - extension element 0.61 m	<input type="checkbox"/>	<input type="checkbox"/>
> Super smoother - extension element 0.75 m	<input type="checkbox"/>	<input type="checkbox"/>
> Super smoother - extension element 1.00 m	<input type="checkbox"/>	<input type="checkbox"/>
> Super smoother - extension element 2.00 m	<input type="checkbox"/>	<input type="checkbox"/>
> Model with mounting components for mounting one longitudinal joint tie bar inserter to the paving mold	<input type="checkbox"/>	<input type="checkbox"/>
> Model with mounting components for mounting one longitudinal joint tie bar inserter to the dowel bar inserter	<input type="checkbox"/>	<input type="checkbox"/>
> Model with mounting components for mounting one longitudinal joint tie bar inserter either to the paving mold or to the dowel bar inserter	<input type="checkbox"/>	<input type="checkbox"/>
> One longitudinal joint tie bar inserter for tie bars $\varnothing$ 12 - 25 mm, length 400 - 800 mm	<input type="checkbox"/>	<input type="checkbox"/>
> One side tie bar inserter for straight tie bars, max. $\varnothing$ 20 mm, length 800 mm	<input type="checkbox"/>	<input type="checkbox"/>
> Two side tie bar inserters for straight tie bars, max. $\varnothing$ 20 mm, length 800 mm	<input type="checkbox"/>	<input type="checkbox"/>
> Additional trailing side plates extension as per customer specification. Price upon request!	<input type="checkbox"/>	<input type="checkbox"/>

OPTIONAL EQUIPMENT	SP 64	SP 64i
<b>Concrete Equipment for Offset Paving</b>		
> Set of hydraulic components for adjusting the sideplate of an EV offset paving mold	<input type="checkbox"/>	<input type="checkbox"/>
> Set of hydraulic components for adjusting the sideplate of an AV offset mold	<input type="checkbox"/>	<input type="checkbox"/>
> Rigid mount for offset paving mold	<input type="checkbox"/>	<input type="checkbox"/>
> Offset paving mold up to 0.60 m wide, max. height of 0.40 m	<input type="checkbox"/>	<input type="checkbox"/>
> Offset paving mold from 0.60 m to 1.20 m wide, max. height of 0.40 m	<input type="checkbox"/>	<input type="checkbox"/>
> Offset paving mold from 1.20 m to 1.80 m wide, max. height of 0.40 m	<input type="checkbox"/>	<input type="checkbox"/>
> Offset paving mold up to 0.90 m high, max. base width of 0.60 m, including hopper	<input type="checkbox"/>	<input type="checkbox"/>
> Offset paving mold up to 1.30 m high, max. base width of 0.60 m, including hopper	<input type="checkbox"/>	<input type="checkbox"/>
> Split offset paving mold up to 0.60 m wide, max. height of 0.40 m	<input type="checkbox"/>	<input type="checkbox"/>
> Split offset paving mold from 0.60 m to 1.20 m wide, max. height of 0.40 m	<input type="checkbox"/>	<input type="checkbox"/>
> Bottom part for split offset paving mold (AV) up to 0.60 m wide (max. height of 0.40 m)	<input type="checkbox"/>	<input type="checkbox"/>
> Bottom part for split offset paving mold (AV) from 0.60 m to 1.20 m wide (max. height of 0.40 m)	<input type="checkbox"/>	<input type="checkbox"/>
<b>Concrete Feeding System</b>		
> Belt conveyor 6.00 m x 0.60 m, in folding design, with reversible hydraulic drive, hydraulically adjustable	<input type="checkbox"/>	<input type="checkbox"/>
> Auger conveyor 4.60 m x 0.40 m with reversible hydraulic drive, hydraulically adjustable	<input type="checkbox"/>	<input type="checkbox"/>
> Auger conveyor 5.70 m x 0.40 m with reversible hydraulic drive, hydraulically adjustable	<input type="checkbox"/>	<input type="checkbox"/>
> Steel chute	<input type="checkbox"/>	<input type="checkbox"/>
> Steel-rubber chute is used to guide the concrete to the offset mold	<input type="checkbox"/>	<input type="checkbox"/>
<b>Offset Trimmer</b>		
> Trimmer, basic width, 0.60 m, for mounting on the left side	<input type="checkbox"/>	<input type="checkbox"/>
> Trimmer - extension 0.20 m wide, for mounting on the left side	<input type="checkbox"/>	<input type="checkbox"/>
> Trimmer - extension 0.40 m wide, for mounting on the left side	<input type="checkbox"/>	<input type="checkbox"/>
> Trimmer, basic width, 0.60 m, for mounting on the right side	<input type="checkbox"/>	<input type="checkbox"/>
> Trimmer - extension 0.20 m wide, for mounting on the right side	<input type="checkbox"/>	<input type="checkbox"/>
> Trimmer - extension 0.40 m wide, for mounting on the right side	<input type="checkbox"/>	<input type="checkbox"/>

■ = Standard equipment

■ = Standard equipment, can be replaced with optional equipment if desired

□ = Optional equipment

OPTIONAL EQUIPMENT	SP 64	SP 64i
<b>Operator's Platform</b>		
> Weather canopy for operator's platform with manual fold-down feature	<input type="checkbox"/>	<input type="checkbox"/>
> Extension of walkway allowing the operator to pass from one side of the machine to the other for working widths of up to 6.00 m	<input type="checkbox"/>	<input type="checkbox"/>
> Extension of walkway allowing the operator to pass from one side of the machine to the other for working widths of up to 7.50 m	<input type="checkbox"/>	<input type="checkbox"/>
<b>Miscellaneous</b>		
> Painting in one special color (RAL)	<input type="checkbox"/>	<input type="checkbox"/>
> Painting in two special colors (RAL)	<input type="checkbox"/>	<input type="checkbox"/>
> Model without WITOS	<input type="checkbox"/>	<input type="checkbox"/>
> High-performance lighting system including 8 LED working lights, 24 V	<input type="checkbox"/>	<input type="checkbox"/>
> Hydraulic high-pressure water cleaning system with 550 l plastic tank	<input type="checkbox"/>	<input type="checkbox"/>
> Additional plastic water tank, 550 l	<input type="checkbox"/>	<input type="checkbox"/>
> Additional electrical water pump, 24 V, with 10 m hose and spray gun with handle	<input type="checkbox"/>	<input type="checkbox"/>
> Self-leveling feature for transport mode	<input type="checkbox"/>	<input type="checkbox"/>
> Rotating beacon, halogen 24 V, with magnetic base	<input type="checkbox"/>	<input type="checkbox"/>
> Two flashing beacons, 24 V, with magnetic base	<input type="checkbox"/>	<input type="checkbox"/>
> Automatic crown adjustment	<input type="checkbox"/>	<input type="checkbox"/>
> Loading ramp for machines with 2 crawler units	<input type="checkbox"/>	<input type="checkbox"/>
> Additional components needed for fitting hydraulic vibrators	<input type="checkbox"/>	<input type="checkbox"/>
> Camera system consisting of 1 camera and 1 screen, expandable to up to 6 cameras	<input type="checkbox"/>	<input type="checkbox"/>
> Additional camera as an extension to an existing camera system	<input type="checkbox"/>	<input type="checkbox"/>



OPTIONAL EQUIPMENT	SP 64	SP 64i
<b>Miscellaneous</b>		
> Two LED floodlights including power generator (230 V)	<input type="checkbox"/>	<input type="checkbox"/>
> Two LED floodlights including power generator (110 V)	<input type="checkbox"/>	<input type="checkbox"/>
> High-performance lighting system including 4 LED working lights, 24 V, for illuminating the compaction compartment	<input type="checkbox"/>	<input type="checkbox"/>
> Two LED floodlights 24 V	—	<input type="checkbox"/>
> 230 volt power generator, hydraulically driven, rated power of 4 kW	<input type="checkbox"/>	<input type="checkbox"/>
> 110 volt power generator, hydraulically driven, rated power of 4 kW	<input type="checkbox"/>	<input type="checkbox"/>
> Crane system for dowel bar packs, driven by means of a chain hoist	<input type="checkbox"/>	<input type="checkbox"/>
> Hydraulically driven crane system	<input type="checkbox"/>	<input type="checkbox"/>
> Stringline tensioning system, complete with 1,000 m steel wire rope	<input type="checkbox"/>	<input type="checkbox"/>
> Additional tensioning winch for stringline tensioning system	<input type="checkbox"/>	<input type="checkbox"/>
> Stringline tensioning system, complete with 4 x 300 m nylon rope	<input type="checkbox"/>	<input type="checkbox"/>
> Radius kit, fibreglass rod as stringline replacement for paving in corners with different radii	<input type="checkbox"/>	<input type="checkbox"/>
> Machine commissioning (day rate)	<input type="checkbox"/>	<input type="checkbox"/>
> Export packaging	<input type="checkbox"/>	<input type="checkbox"/>

■ = Standard equipment

■ = Standard equipment, can be replaced with optional equipment if desired

□ = Optional equipment

**WIRTGEN GmbH**

Reinhard-Wirtgen-Str. 2  
53578 Windhagen  
Germany

T: +49-2645-131-0  
F: +49-2645-131-392  
M: [info@wirtgen.com](mailto:info@wirtgen.com)

 [www.wirtgen.de](http://www.wirtgen.de)



Please scan the code for further information.